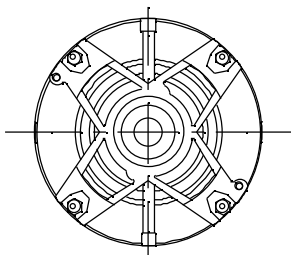
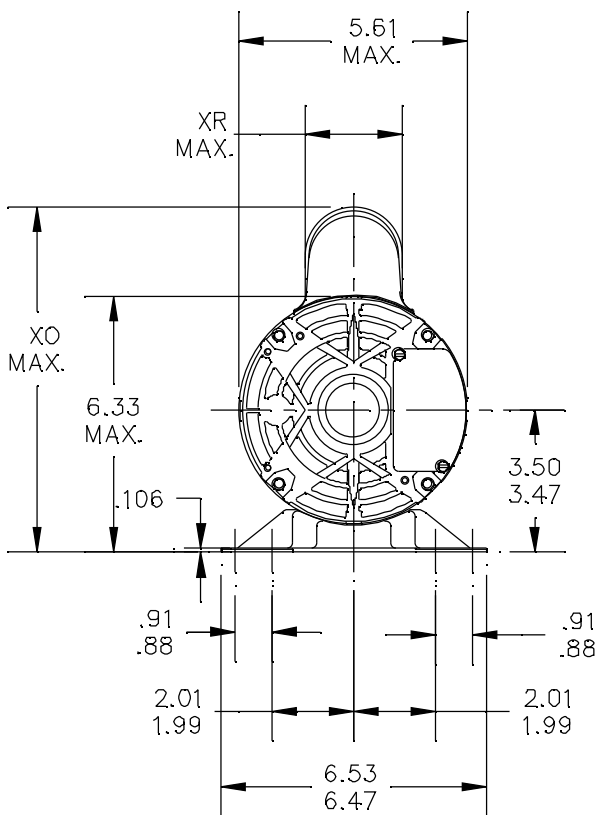
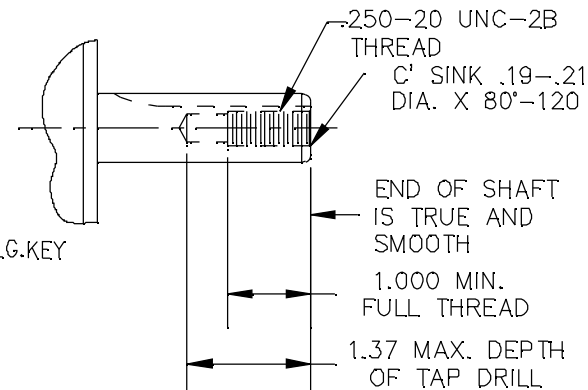
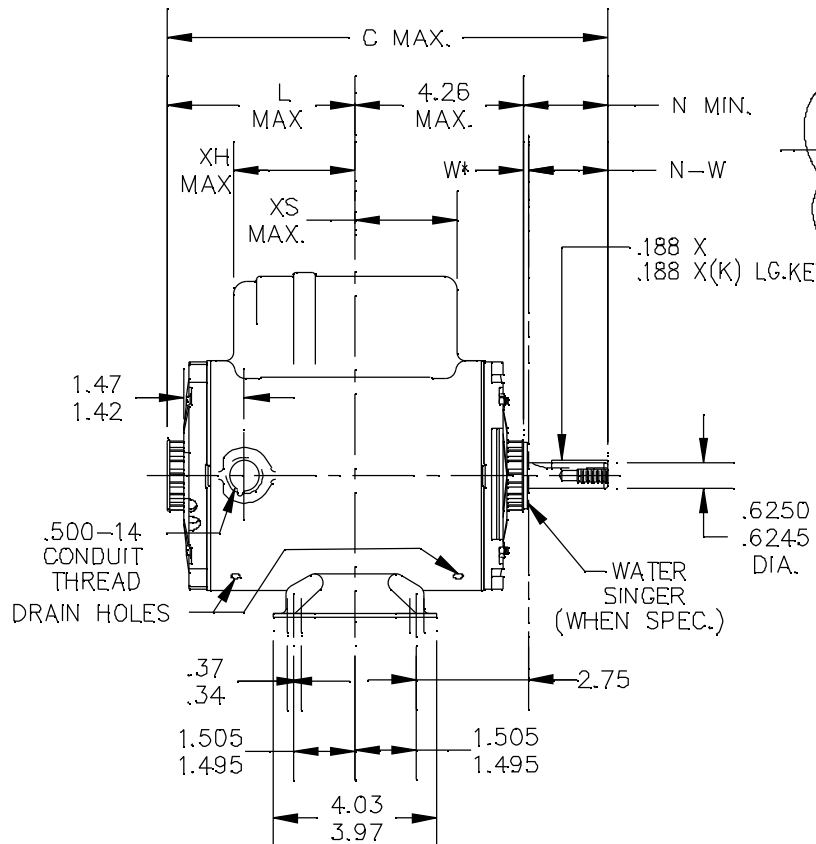


52A109516



VIEW SHOWING P.E. (NO VENTS)



ENLARGED VIEW OF SHAFT EXTENSION

W* IS A CLEARANCE DUE TO VARIATION IN PARTS AND ASSEMBLY.

1	KC	37	56Z	11.26	1.62	4.63	2.25	2.38/2.19	2.99	2.68	7.85	1.60
P	TYPE	RBC SIZE	NEMA FR	C	K	L	N	N-W	XH	XS	XO	XR

TOLERANCES UNLESS SPECIFIED

DEC.	INCHES
.X	±0.1
.XX	±0.02
.XXX	±0.005
.XXXX	±0.0005
ANG	±1.0



REGAL-BELOIT CORPORATION

DRAWN M.D.P 04/18/94

CHK

APPD M.D.P 04/18/94

SCALE 1=1

REF

FMF

PREV

4	REDRAWN IN DRAFT SIGHT NO CHANGES	PVR 10/16/12	PKG	.XX	±0.02	TITLE	OUTLINE
3	TAPPING ADDED PER ISO9-1251	AMI 04/03/06		.XXX	±0.005		TENV - WELDED BASE
2	CHG TO RBC FORMAT PER ISO5-1777	SUD 03/16/06		.XXXX	±0.0005	MAT'L.	
NO.	REVISION	BY & DATE	CHK	ANG	±1.0	FINISH	

THIS DRAWING IN DESIGN AND DETAIL IS OUR PROPERTY AND MUST NOT BE USED EXCEPT IN CONNECTION WITH OUR WORK ALL RIGHTS OF DESIGN AND INVENTION ARE RESERVED THIS IS AN ELECTRONICALLY GENERATED DOCUMENT - DO NOT SCALE THIS PRINT

RFP	CAD FILE	52A109516	SIZE	DRAWING NO.	REV.
DIST			A	52A109516	4