

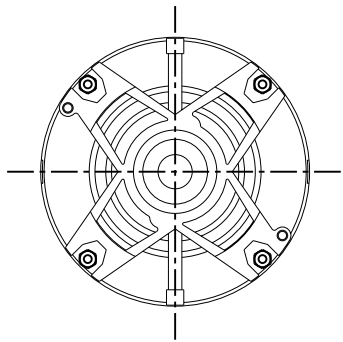
SHEET 1
REV 2
52A109503

THIRD ANGLE PROJECTION



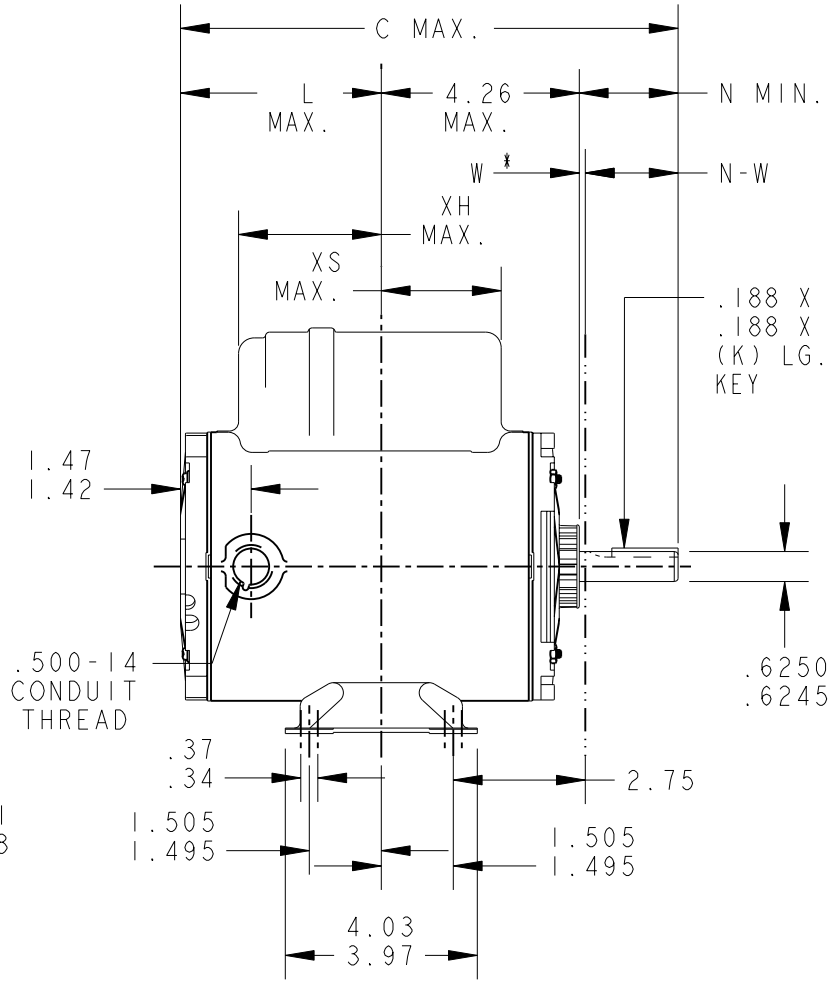
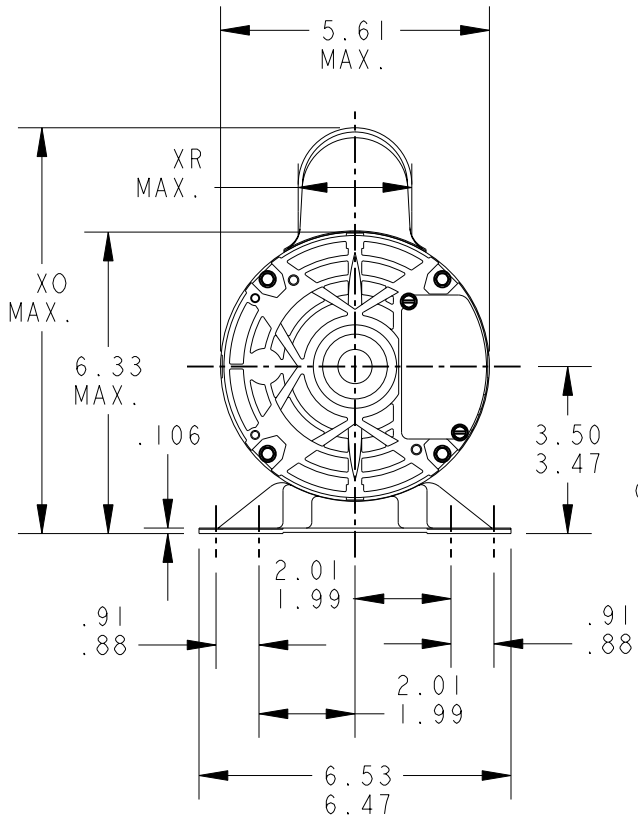
REVISIONS

REV.	DESCRIPTION	DATE	APPROVED
1	ADDED PART #3.	01/13/97	M.D.PAPE
2	CHG TO RBC FORMAT PER ISO5-1777	03/14/06	SUDHA



VIEW SHOWING P.E. VENTILATION OPENINGS

W* IS A CLEARANCE DUE TO VARIATION IN PARTS AND ASSEMBLY.



3	KC	36	56	10.04	1.38	3.90	1.88	2.01/1.79	2.69	1.80	7.81	1.60
2	KC	38	56	11.04	1.38	4.90	1.88	2.01/1.79	3.59	2.10	7.81	1.60
1	KC	37	56	10.44	1.38	4.30	1.88	2.01/1.79	2.99	2.70	7.81	1.60
P	TYPE	GE SIZE	NEMA FR	C	K	L	N	N - W	XH	XS	XO	XR

FOR ADDITIONAL INFO REFER TO: APPLIED PRACTICES DIMENSIONS ARE IN INCHES ✓ MATERIAL	SIGNATURES		DATE	REGAL-BELOIT CORPORATION OUTLINE FORM N - GENERAL PURPOSE MOTOR - DRIP PROOF WELDED BASE - BALL OR SLEEVE BEARING	SIZE DRAWING A	SCALE: 0.250 REF. No: .	REV 52A109503	SHEET 1 of 1
	MODEL	M.D.PAPE	03/09/94					
	DETAIL	.	.					
	CHECKED	.	.					
	ENGRG	.	.					
MFG	.	.						
QUALITY	.	.						
ISSUED	M.D.PAPE	03/09/94						
SOLID MODEL: 52A109503								