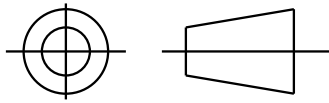


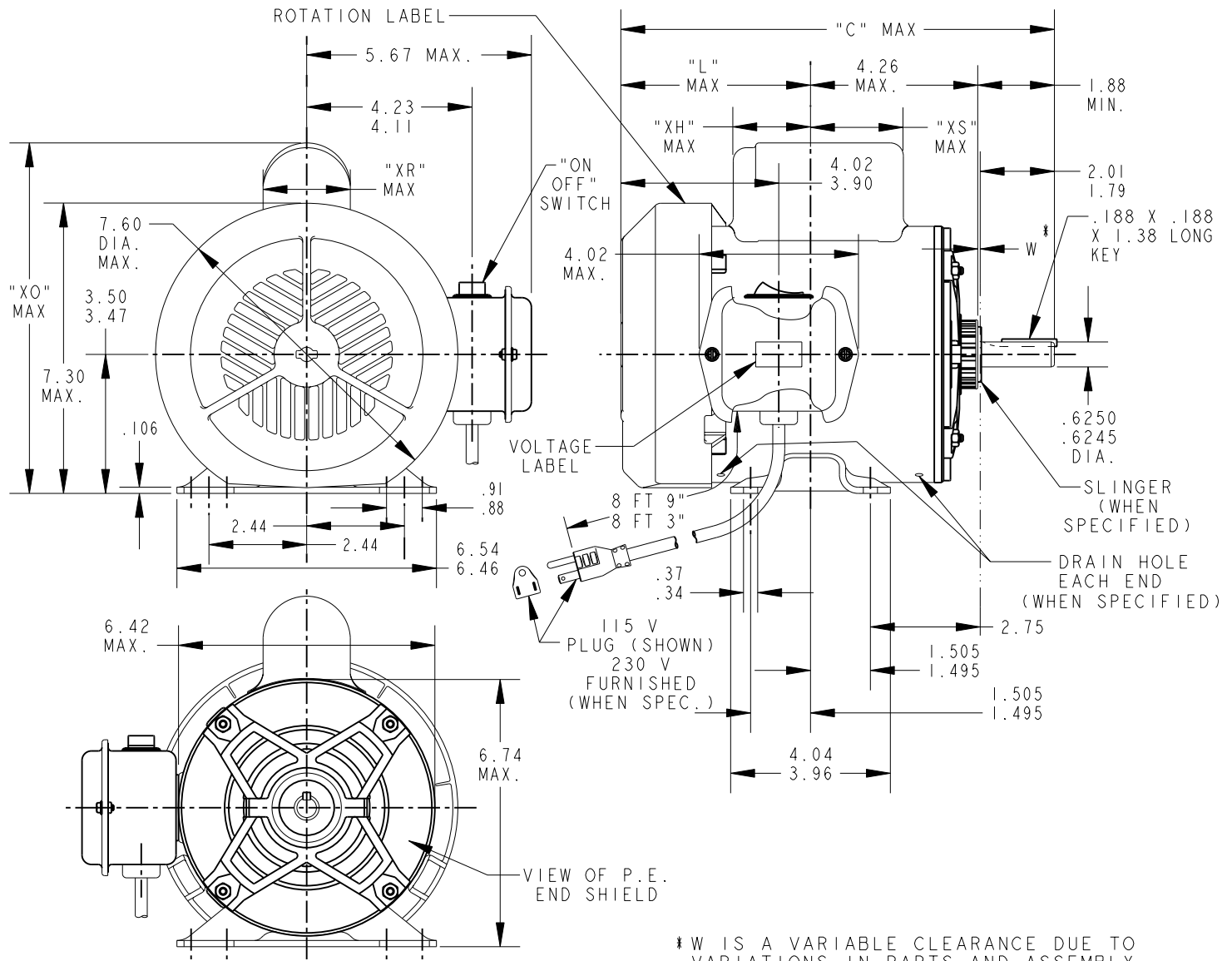
SHEET 1
REV 6
52A110622
SIZE DRAWING NO. A

THIRD ANGLE PROJECTION



REVISIONS


| REV. | DESCRIPTION | DATE | APPROVED |
|------|---------------------------------|----------|----------|
| 5 | ADD TOL. TO CORD IS02-02676. | 05/02/02 | M.D.PAPE |
| 6 | CHG TO RBC FORMAT PER IS05-1777 | 04/24/06 | SUDHA |



ALL DIMENSIONS ARE IN INCHES

| | | | | | | | | | | |
|---|------|---------|----------|-------|------|------|------|------|------|------------|
| 3 | KC | 49 | 56 | 12.43 | 6.28 | 3.51 | 8.22 | 1.60 | 2.24 | 7.15 |
| 2 | KC | 46 | 56 | 11.83 | 5.68 | 2.91 | 8.94 | 2.40 | 2.84 | 6.55 |
| 1 | KC | 49 | 56 | 12.96 | 6.81 | 3.58 | 8.94 | 2.40 | 2.17 | 7.68 |
| P | TYPE | GE SIZE | NEMA FR. | "C" | "L" | "XH" | "XO" | "XR" | "XS" | MIN. SHELL |

| SIGNATURES | | DATE |
|-------------------------------|------------------------|-------------------|
| MODEL | M.D.PAPE | 09/29/00 |
| DETAIL | . | . |
| CHECKED | . | . |
| ENGRG | . | . |
| MFG | . | . |
| FOR ADDITIONAL INFO REFER TO: | QUALITY | . |
| APPLIED PRACTICES | ISSUED | M.D.PAPE 09/29/00 |
| DIMENSIONS ARE IN INCHES ✓ | SOLID MODEL: 52A110622 | |
| MATERIAL | | |



REGAL-BELOIT CORPORATION

TITLE **OUTLINE**

GENERAL PURPOSE MOTOR - TEFC - BALL BEARING - WELDED BASE FMF - 40 FRAME REDESIGN

SIZE DRAWING **A**

SCALE: 0.250 REF. No: . SHEET 1 of 1

52A110622
 REV 6