

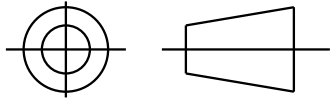
SHEET 1

REV 2

SIZE DRAWING NO. 52A111717

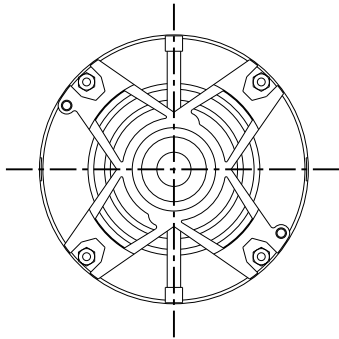
A

THIRD ANGLE PROJECTION



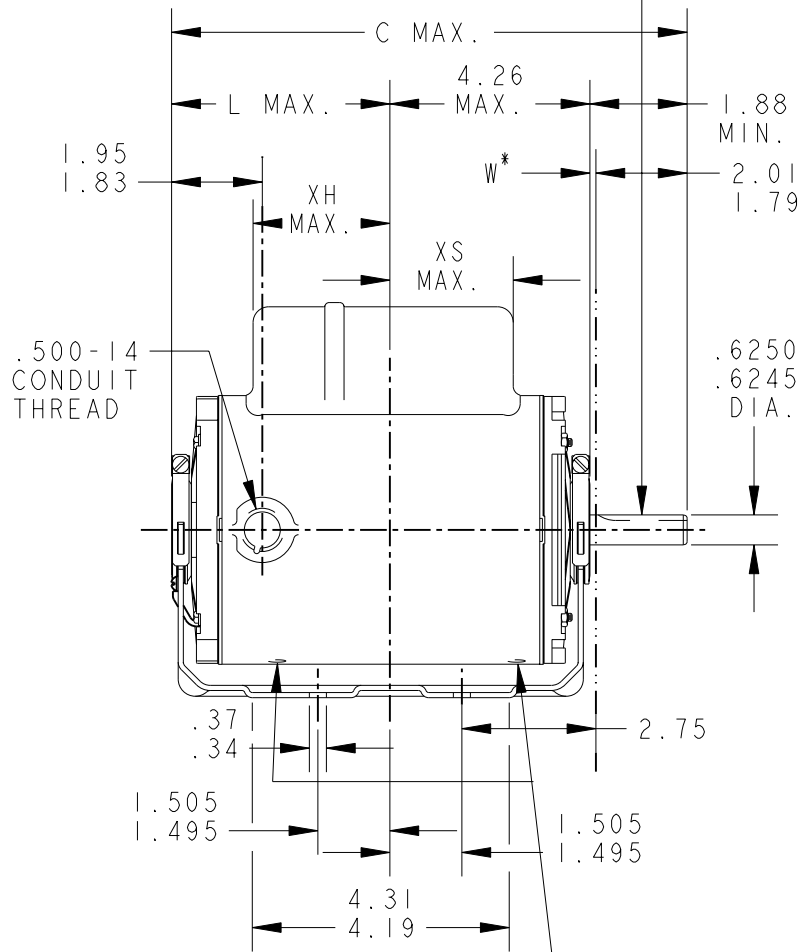
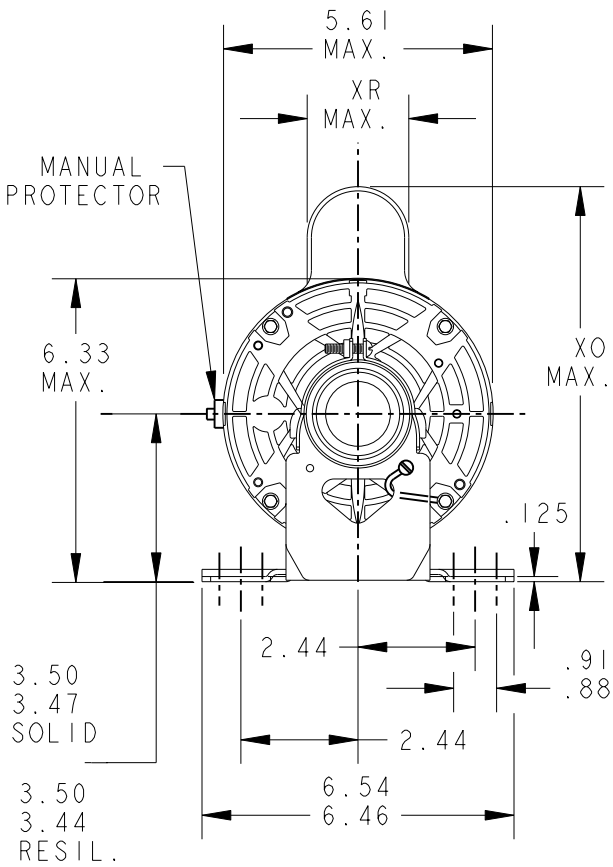
REVISIONS

REV.	DESCRIPTION	DATE	APPROVED
1	RBC FORMAT - NO CHGS	08/11/05	PRAVEEN.K
2	UPDATED AS PER ISAAC 05-2752	10/27/05	PRAVEEN.K



VIEW SHOWING
P.E. VENTILATION
OPENINGS

KEYWAY FOR .188 X
.188 X 1.32 LG. KEY




DRAIN HOLES
(WHEN SPECIFIED)

W* IS A CLEARANCE DUE TO VARIATION IN PARTS AND ASSEMBLY.

I	KCP	35	56	9.94	3.80	2.66	3.04	2.22	8.53				5.79
P	TYPE	GE SIZE	NEMA FR	C	L	XH	XS	XR	XO				SHELL REF.

SIGNATURES		DATE
MODEL	DEBRAJ	08/04/05
DETAIL	DEBRAJ	08/04/05
CHECKED	.	.
ENGRG	.	.
MFG	.	.
FOR ADDITIONAL INFO REFER TO:	QUALITY	.
APPLIED PRACTICES	ISSUED	DEBRAJ 08/04/05
DIMENSIONS ARE IN INCHES ✓	SOLID MODEL: 52A111717	



REGAL-BELOIT CORPORATION

TITLE **OUTLINE**

FORM N - GENERAL PURPOSE MOTOR - DRIP PROOF-SOLID OR RESIL.BASE - BALL OR SLEEVE BEARING

SIZE DRAWING **A**

SCALE: 1.000 REF. No: . SHEET 1 of 1

52A111717 REV 2