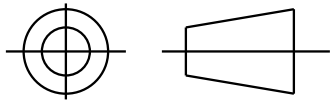


THIRD ANGLE PROJECTION

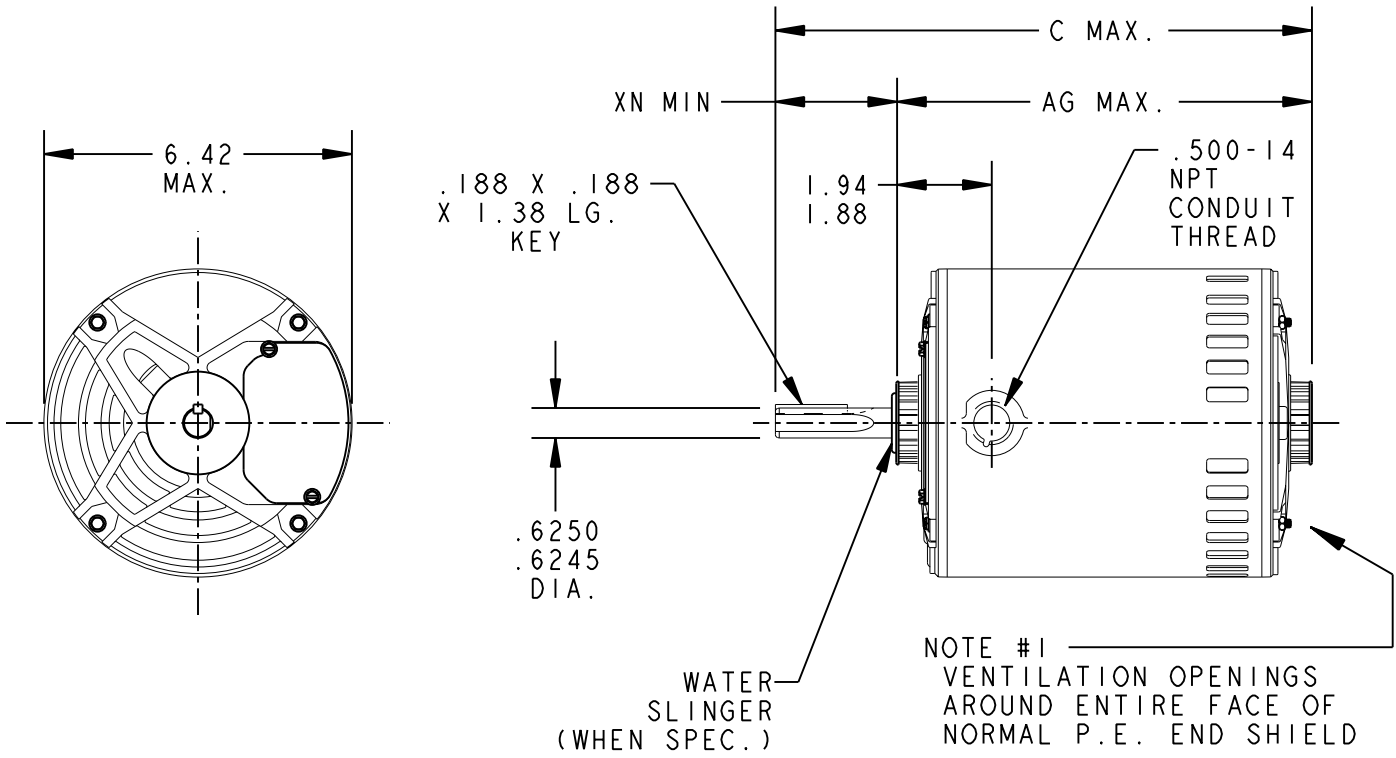


REVISIONS


REV.	DESCRIPTION	DATE	APPROVED
0	REDRAWN ON PRO-E	03/18/05	ARUNK
1	CHG TO RBC FORMAT PER ISO5-1777	03/23/06	SUDHA

52A109681 1

SIZE DRAWING NO. A



I	KCP	49	56Z	4.00	15.21	11.21	8.99
P	TYPE	GE SIZE	NEMA FR	XN	C	AG	SHELL LG.

FOR ADDITIONAL INFO REFER TO: APPLIED PRACTICES DIMENSIONS ARE IN INCHES ✓ MATERIAL	SIGNATURES		DATE	 <p>REGAL-BELOIT CORPORATION</p> <p>TITLE OUTLINE 40 FR. REDESIGN - SPECIAL PURPOSE MOTOR - TENV (SE)- DRIP PROOF (PE) - BALL BEARING</p> <p>SIZE DRAWING A</p> <p>SCALE: 0.250 REF. No: .</p>
	MODEL	M.D. PAPE	09/20/94	
	DETAIL	.	.	
	CHECKED	.	.	
	ENGRG	.	.	
MFG	.	.		
QUALITY	.	.		
ISSUED	M.D. PAPE	09/20/94	<p>52A109681</p> <p>REV 1</p>	
SOLID MODEL: 52A109681			SHEET 1 of 1	