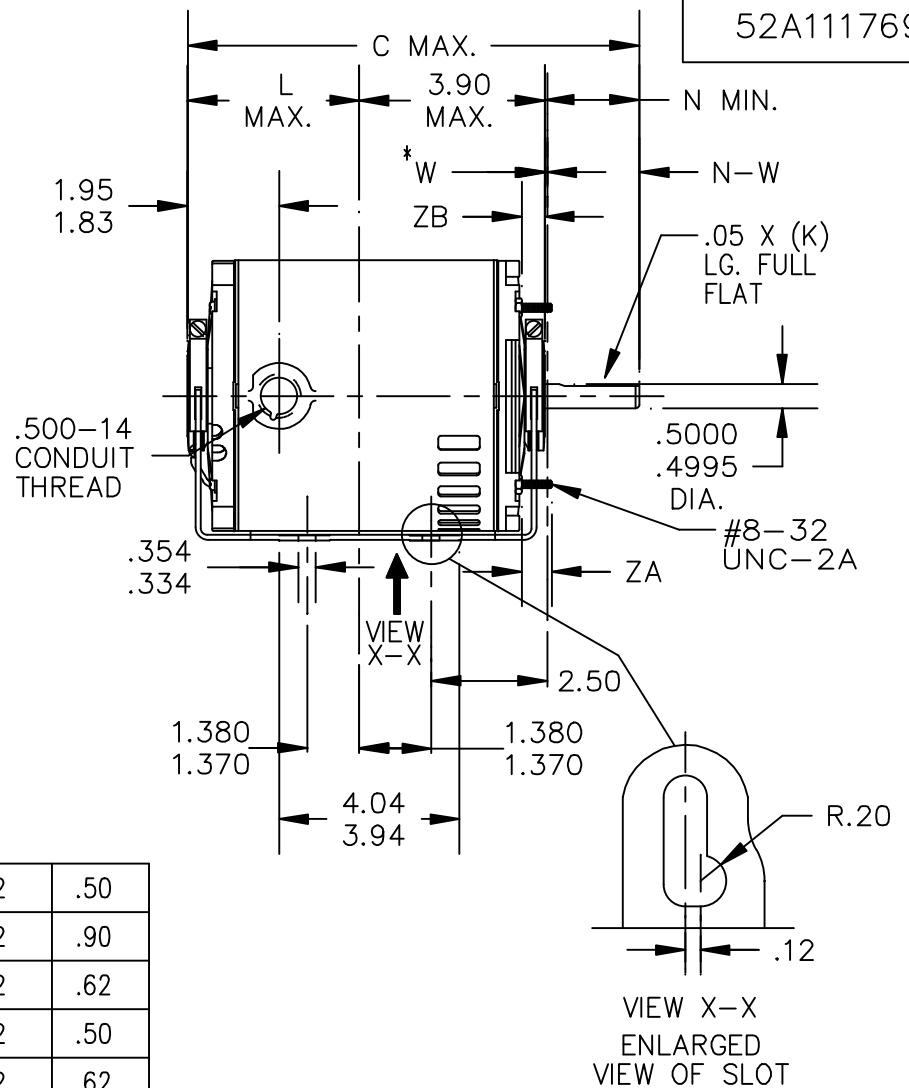
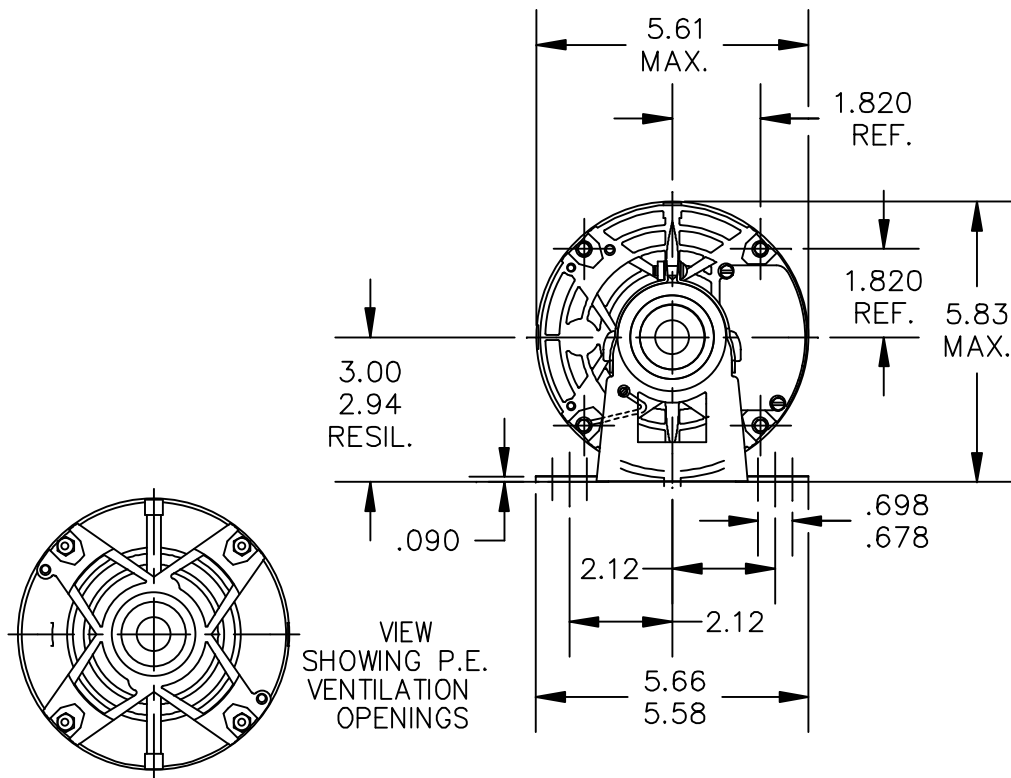


52A111769



W* IS A CLEARNCE DUE TO VARIATION IN PARTS AND ASSEMBLY.

6	KH	35	48	9.56	1.16	4.22	1.50	1.63/1.41	.55/.52	.50
5	KH	33	48Z	9.93	1.91	3.84	2.25	2.38/2.16	.55/.52	.90
4	KH	32	48	8.93	1.16	3.59	1.50	1.63/1.41	.55/.52	.62
3	KH	36	48	9.99	1.16	4.65	1.50	1.63/1.41	.55/.52	.50
2	KH	32	48Z	9.94	1.91	3.59	2.25	2.38/2.16	.55/.52	.62
1	KH	32	48Z	9.32	1.54	3.59	1.88	2.01/1.79	.55/.52	.62
P	TYPE	RBC SIZE	NEMA FR	C	K	L	N	N-W	ZB	ZA

				TOLERANCES UNLESS SPECIFIED		REGAL-BELOIT CORPORATION		DRAWN MDU 02/02/07		
				DEC.	INCHES	REGAL-BELOIT CORPORATION		CHK		
03	CHG GD LD FROM 4:30 TO 7:30 PER IS11-0510 & REDRAWN IN DRAFT SIGHT.			UD	09/24/12	PKG	.X	±0.1	APPD DS 02/02/07	
02	DIMENSION ADDED PER IS07-2793			BM	11/15/07		.XX	±0.02	SCALE 1=1	
01	UPDATED PER IS07-0144			MDU	02/20/07		.XXX	±0.005	REF	
	NO. REVISION				BY & DATE	CHK	ANG	±1.0	FMF	
THIS DRAWING IN DESIGN AND DETAIL IS OUR PROPERTY AND MUST NOT BE USED EXCEPT IN CONNECTION WITH OUR WORK ALL RIGHTS OF DESIGN AND INVENTION ARE RESERVED THIS IS AN ELECTRONICALLY GENERATED DOCUMENT - DO NOT SCALE THIS PRINT				RFP		CAD FILE	52A111769	SIZE	DRAWING NO.	REV.
				DIST				A	52A111769	03