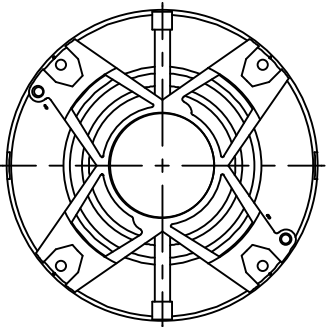
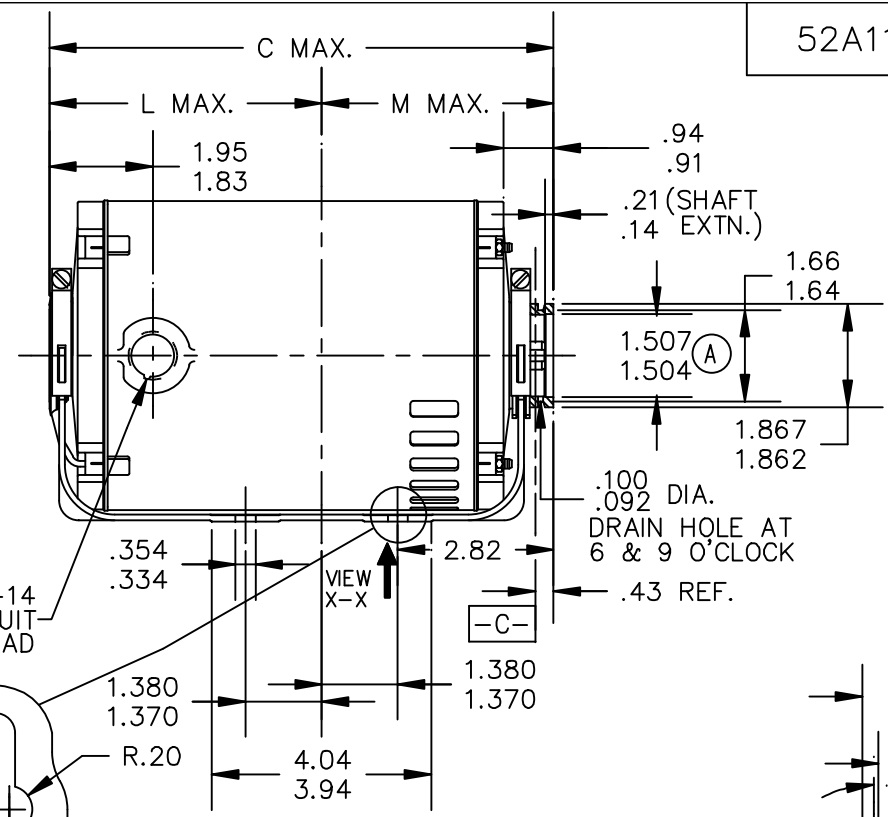
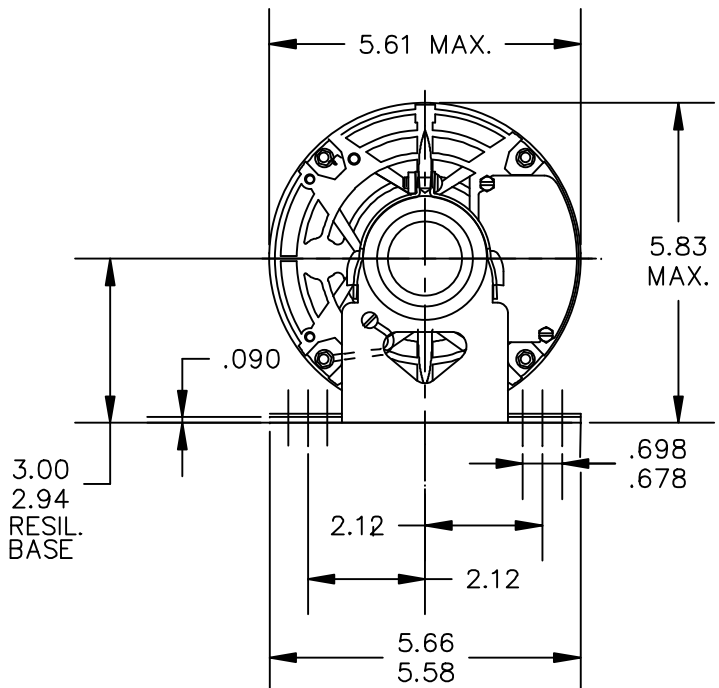
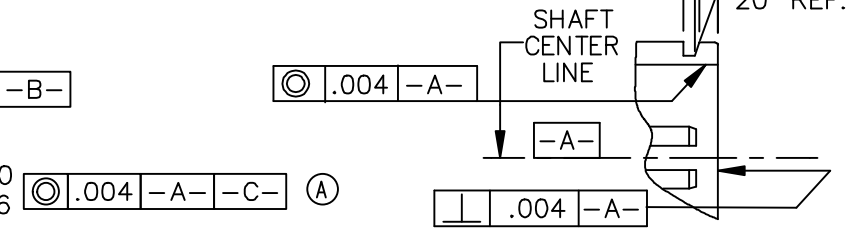
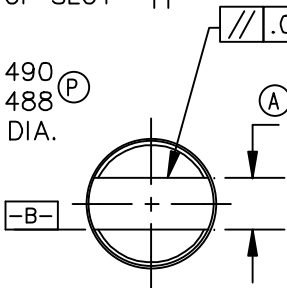
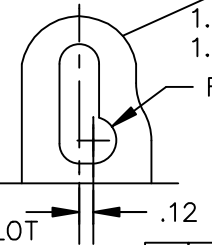
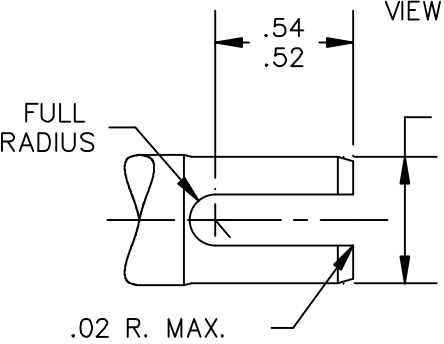


52A113052

CONTROL SURFACES & DIMENSIONS
 (P) PROC.
 (E) ENG.
 (A) APPL.
 (R) REG.



VIEW SHOWING P.E. VENTILATION OPENINGS



1	KH	32	48Y	7.79	3.55	4.28
P	TYPE	RBC SIZE	NEMA FR	C	L	M

				TOLERANCES UNLESS SPECIFIED		DRAWN GD 10/25/05	
				DEC.	INCHES	CHK	
				.X	±0.1	APPD GD 10/25/05	
3	PART # 2 DELETED AS PER IS12-4648	UD	9/26/12	KK	.XX	±0.02	TITLE OUTLINE CARBONATOR PUMP - OPEN - RESIL. BASE
2	CHG GD LD FROM 4:30 TO 7:30 PER IS11-0510.	UD	9/24/12	PKG	.XXX	±0.005	
1	ADDED CORE SET TO PART #2.	KK	13/03/12		.XXXX	±0.0005	
NO.	REVISION	BY & DATE	CHK	ANG	±1.0	FINISH	SCALE 1=1
THIS DRAWING IN DESIGN AND DETAIL IS OUR PROPERTY AND MUST NOT BE USED EXCEPT IN CONNECTION WITH OUR WORK ALL RIGHTS OF DESIGN AND INVENTION ARE RESERVED THIS IS AN ELECTRONICALLY GENERATED DOCUMENT - DO NOT SCALE THIS PRINT				RFP	CAD FILE	52A113052	SIZE A
				DIST	DRAWING NO. 52A113052		REV. 3

