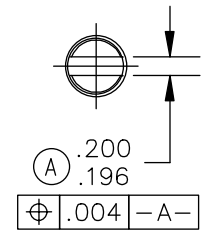
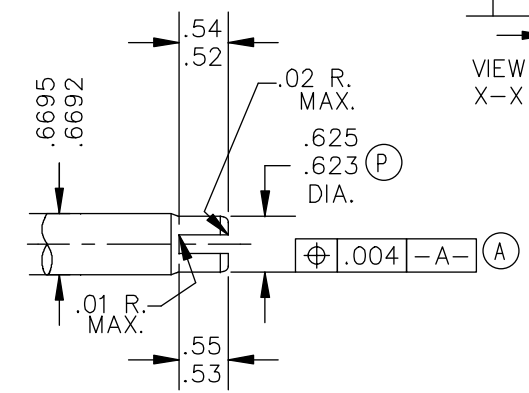
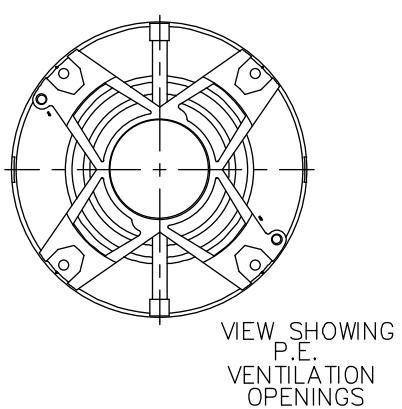
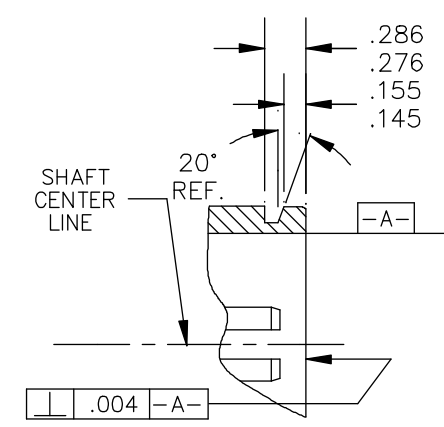
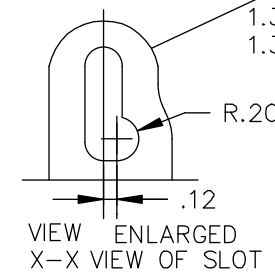
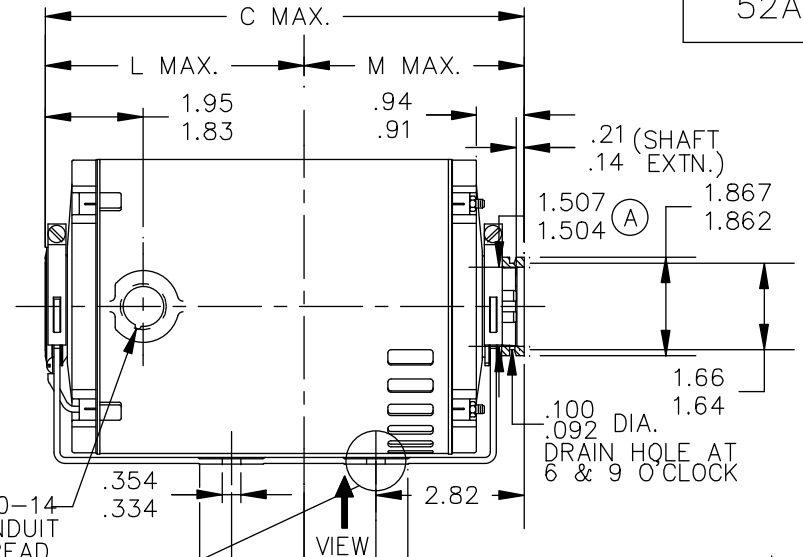
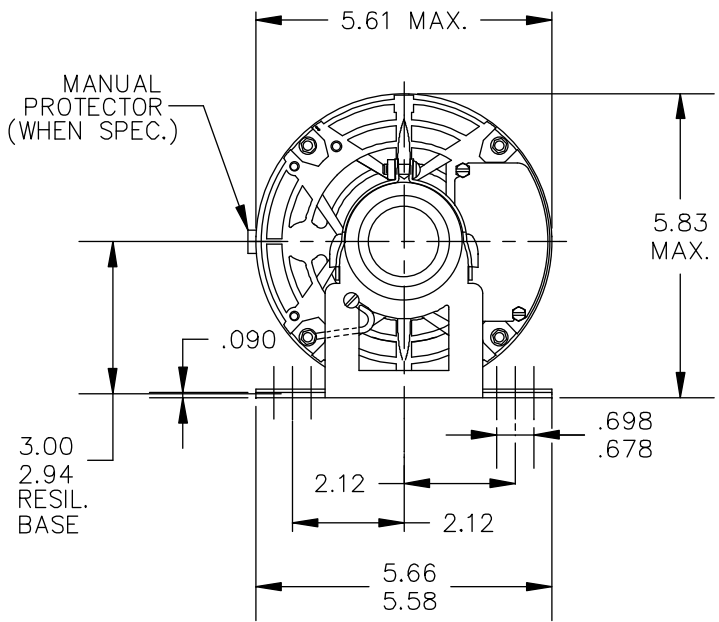


52A113159

CONTROL SURFACES & DIMENSIONS
 (P) PROC.
 (E) ENG.
 (A) APPL.
 (R) REG.



1	KH	32	48Y	7.69	3.55	4.28
P	TYPE	RBC SIZE	NEMA FR	C	L	M

TOLERANCES UNLESS SPECIFIED	
DEC.	INCHES
.X	±0.1
.XX	±0.02
.XXX	±0.005
.XXXX	±0.0005
ANG	±1.0



REGAL-BELOIT CORPORATION

TITLE: OUTLINE
 CARBONATOR PUMP-DRIP PROOF -RESIL. BASE
 MAT'L.
 FINISH
 CAD FILE: 52A113159

DRAWN: PVR 10/17/13
 CHK: PKG 10/17/13
 APPD
 SCALE: 1=1
 REF
 FMF
 PREV

01	CHANGED CONCENTRICITY TO POSITION ON GD&T	UD	10/23/13	PKG
	SPEAL PER CUST REQ.			
NO.	REVISION	BY & DATE	CHK	ANG

THIS DRAWING IN DESIGN AND DETAIL IS OUR PROPERTY AND MUST NOT BE USED EXCEPT IN CONNECTION WITH OUR WORK. ALL RIGHTS OF DESIGN AND INVENTION ARE RESERVED. THIS IS AN ELECTRONICALLY GENERATED DOCUMENT - DO NOT SCALE THIS PRINT

RFP	CAD FILE	52A113159	SIZE	DRAWING NO.	REV.
DIST			A	52A113159	01