

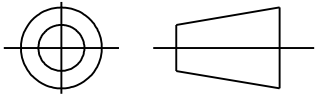
SHEET

REV

52A111746 0

SIZE DRAWING NO. A

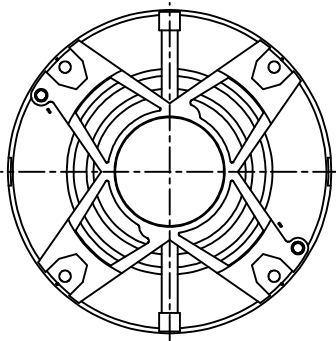
THIRD ANGLE PROJECTION



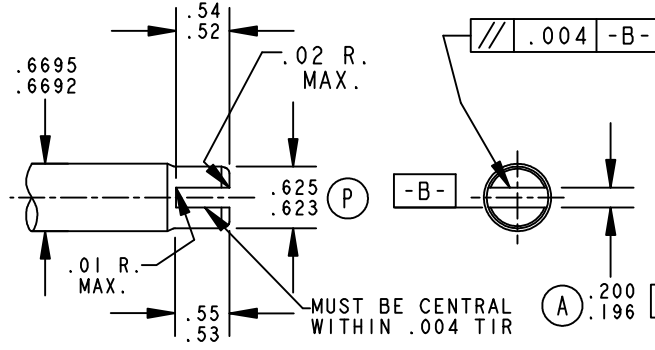
REVISIONS

REV.	DESCRIPTION	DATE	APPROVED

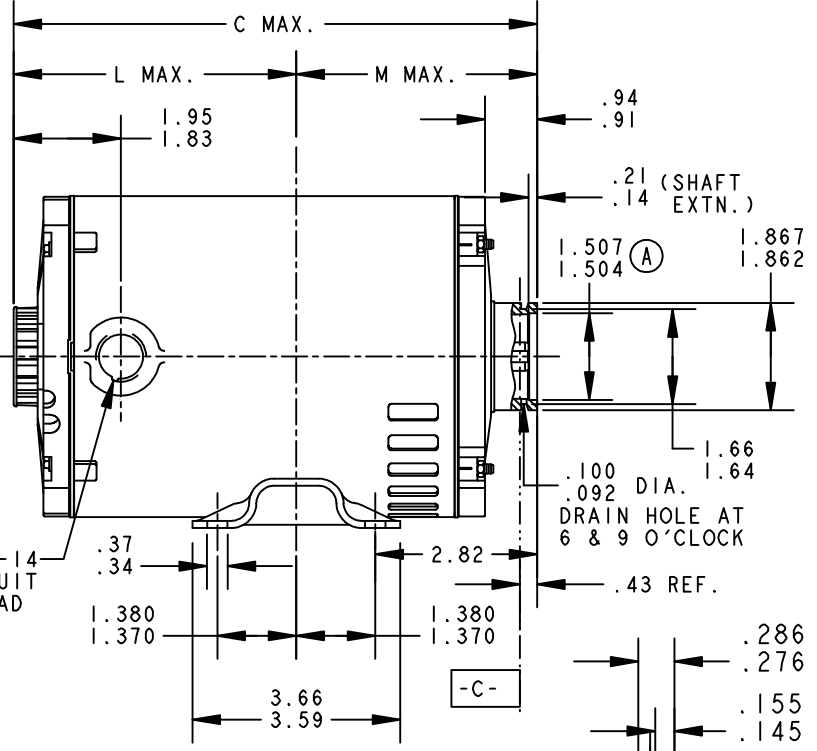
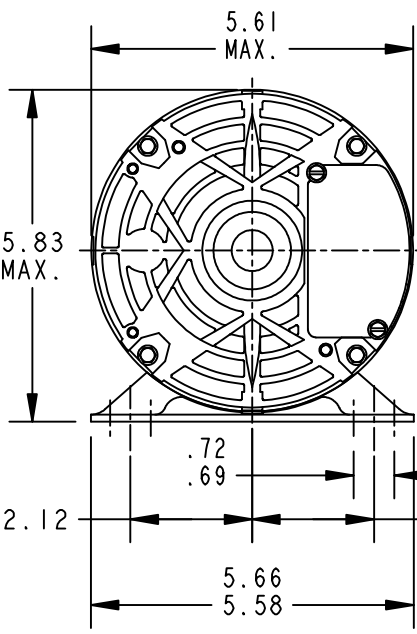
CONTROL SURFACES & DIMENSIONS  
 (P) PROC.  
 (E) ENG.  
 (A) APPL.  
 (R) REG.



VIEW SHOWING P.E. VENTILATION OPENINGS



MUST BE CENTRAL WITHIN .004 TIR



I	KH	32	48Y	7.69	3.55	4.28
P	TYPE	GE SIZE	NEMA FR	C	L	M

SIGNATURES		DATE
MODEL	SUDHA	06/09/06
DETAIL	.	.
CHECKED	.	.
ENGRG	.	.
MFG	.	.
FOR ADDITIONAL INFO REFER TO:	QUALITY	.
APPLIED PRACTICES	ISSUED	DURGA 06/09/06
MATERIAL	SOLID MODEL: 52A111746	



REGAL-BELOIT CORPORATION

TITLE  
**OUTLINE**  
**CARBONATOR PUMP - OPEN -**  
**WELDED BASE - BALL BRG.**

SIZE DRAWING	52A111746	REV	0
A			
SCALE: 0.250	REF. No: .	SHEET 1 of 1	