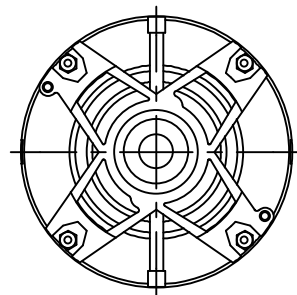
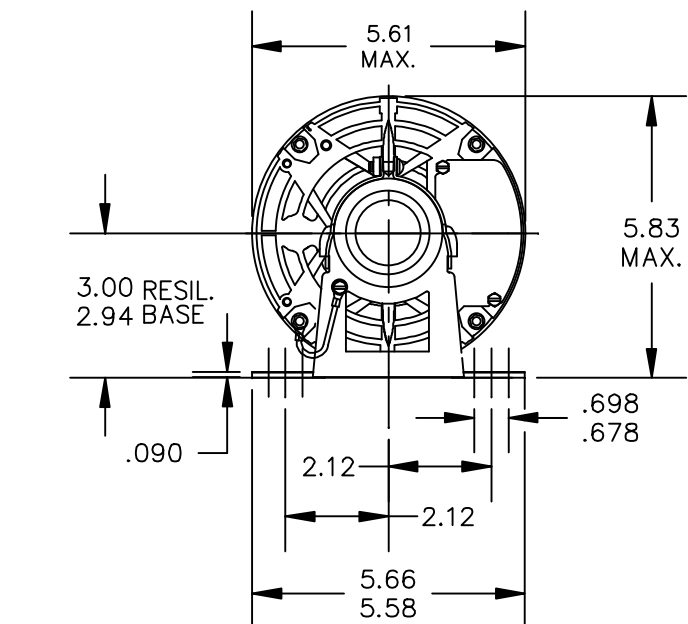
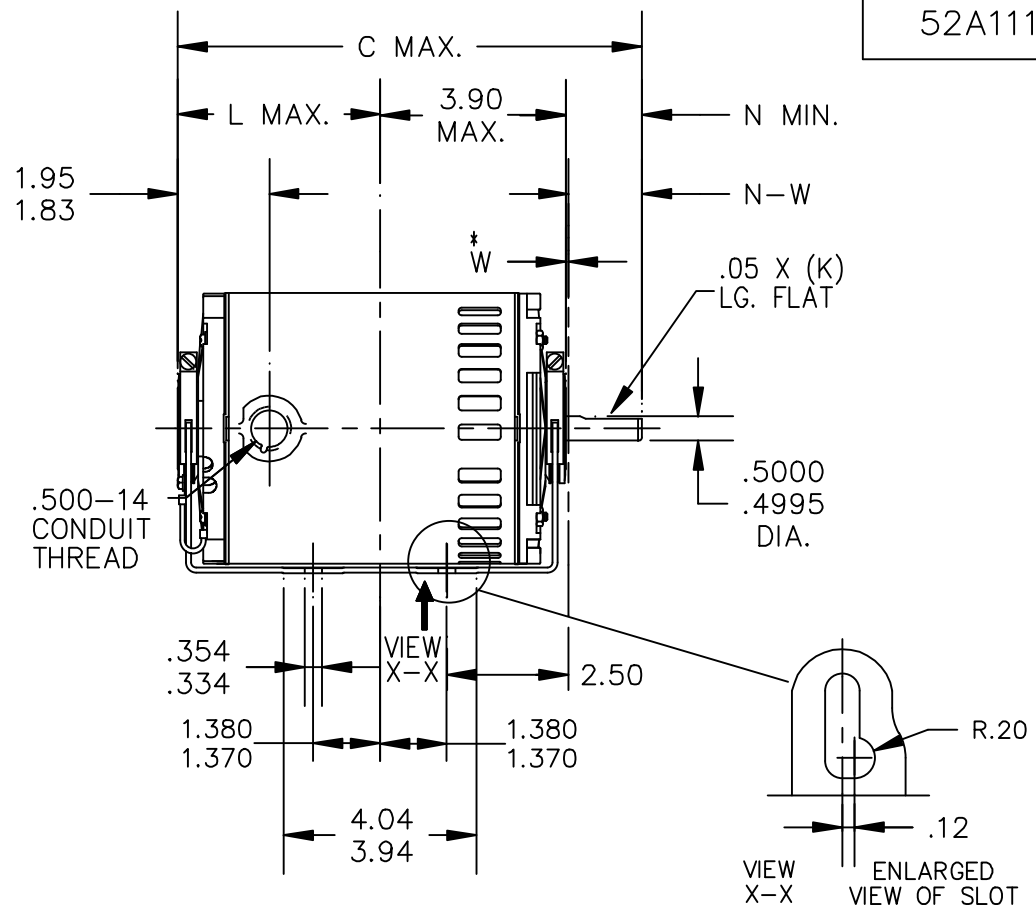


52A111771



VIEW SHOWING P.E. VENTILATION OPENINGS

W\* IS A CLEARANCE DUE TO VARIATION IN PARTS AND ASSEMBLY.



4	K	KH	32	48Y	8.94	1.25	3.59	1.50	1.63/1.41
3	K	KH	33	48Y	9.19	1.16	3.84	1.50	1.63/1.41
2	K	KH	32	48Y	8.94	1.16	3.59	1.50	1.63/1.41
1	K	KH	35	48Y	9.57	1.16	4.22	1.50	1.63/1.41
P	TYPE	RBC SIZE	NEMA FR	C	K	L	N	N-W	

NO.	REVISION	BY & DATE	CHK	TOLERANCES UNLESS SPECIFIED		FINISH	MAT'L.	TITLE	DRAWN DS 02/26/07	
				DEC.	INCHES					CHK
3	CHG GD LD 4:30 TO 7:30 PER IS11-0510 & REDRAWN IN DRAFT SIGHT	UD 9/24/12	PKG	.X	±0.1			REGAL-BELOIT CORPORATION	APPD DS 02/26/07	
2	ADDED P4 PER IS10 - 2231	PN 9/16/10		.XXX	±0.005			REGAL-BELOIT CORPORATION	SCALE 1=1	
1	GROUND LEAD ADDED PER IS07-0531	BM 10/26/07		.XXXX	±0.0005			REGAL-BELOIT CORPORATION	REF	
				ANG	±1.0			REGAL-BELOIT CORPORATION	FMF	
				RFP		CAD FILE	52A111771	REGAL-BELOIT CORPORATION	PREV	
				DIST				REGAL-BELOIT CORPORATION		
THIS DRAWING IN DESIGN AND DETAIL IS OUR PROPERTY AND MUST NOT BE USED EXCEPT IN CONNECTION WITH OUR WORK ALL RIGHTS OF DESIGN AND INVENTION ARE RESERVED THIS IS AN ELECTRONICALLY GENERATED DOCUMENT - DO NOT SCALE THIS PRINT								SIZE	DRAWING NO.	REV.
								A	52A111771	3