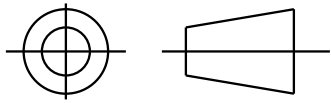


SHEET
REV
4

52A106925

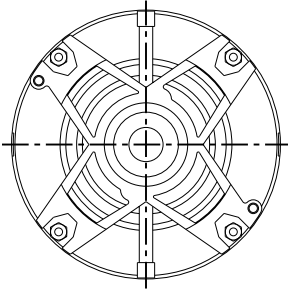
SIZE DRAWING NO.
A

THIRD ANGLE PROJECTION



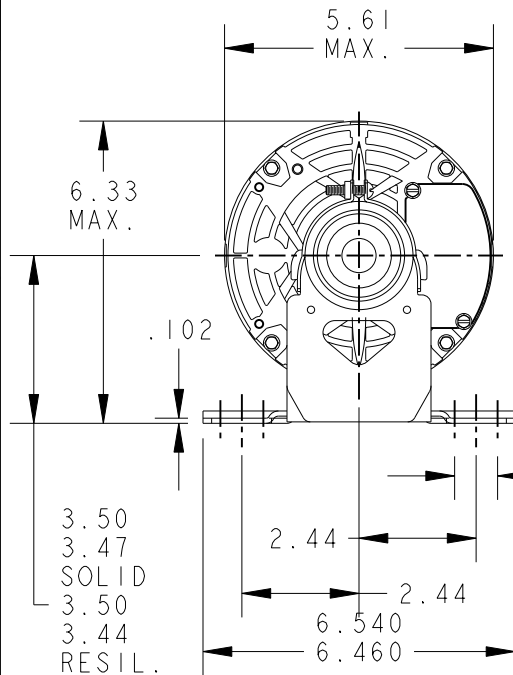
REVISIONS

REV.	DESCRIPTION	DATE	APPROVED
3	REDRAWN BY 2M SOFTWARE CO.	02/09/95	CCP
4	CHG TO RBC FORMAT PER ISO5-1777	02/14/06	DURGA

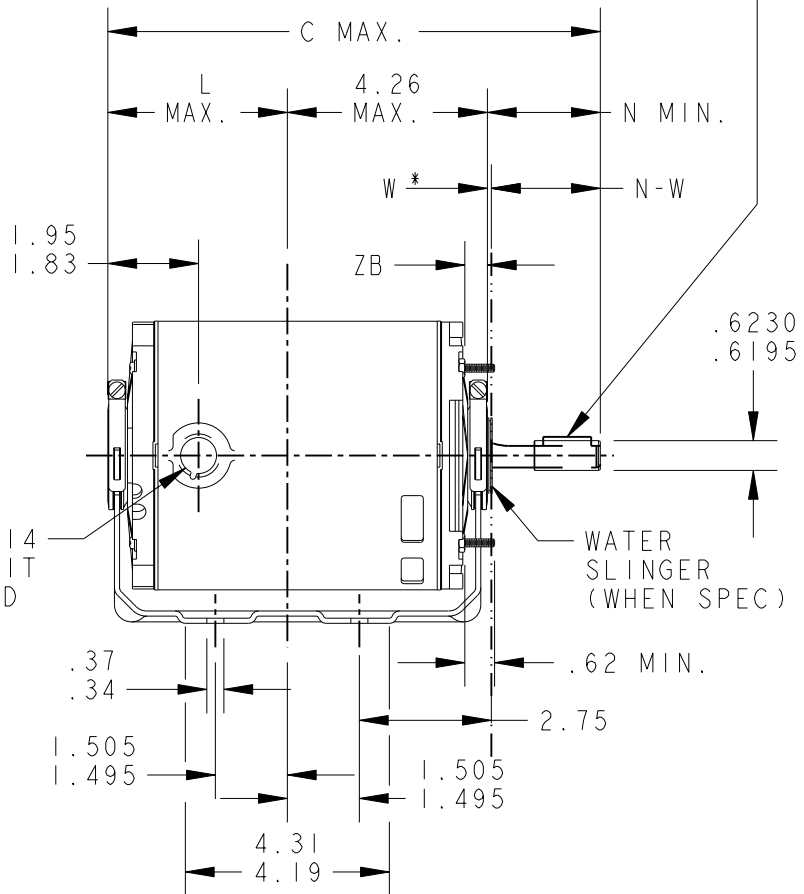


VIEW SHOWING P.E. VENTILATION OPENINGS

.188 X .188 X 1.00 LG. KEY



.500-14 CONDUIT THREAD



WATER SLINGER (WHEN SPEC)

W * IS A CLEARANCE DUE TO VARIATION IN PARTS AND ASSEMBLY.

I	KH	35	56Z	10.26	3.80	2.25	2.38/2.16	.55/.52
P	TYPE	GE SIZE	NEMA FR	C	L	N	N-W	ZB

SIGNATURES		DATE
MODEL	R.L.BONTA	03/17/89
DETAIL	.	.
CHECKED	.	.
ENGRG	.	.
MFG	.	.
FOR ADDITIONAL INFO REFER TO:	QUALITY	.
APPLIED PRACTICES	ISSUED	C.C.P. 02/09/95
DIMENSIONS ARE IN INCHES ✓	SOLID MODEL: 52A106925	



REGAL-BELOIT CORPORATION

TITLE	
OUTLINE	
FORM N - GENERAL PURPOSE MOTOR - DRIP PROOF	
SOLID OR RESIL BASE - BALL OR SLEEVE BEARING-FMF: 5KH35JN3132T	
SIZE DRAWING	REV
A	4
SCALE: 1.000	REF. No: .
SHEET 1 of 1	

52A106925 4