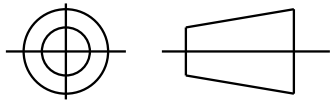


SHEET 1  
REV 2  
52A109568

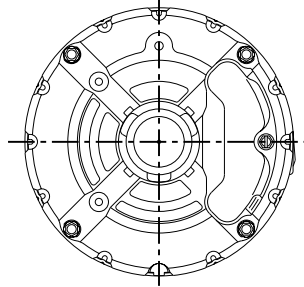
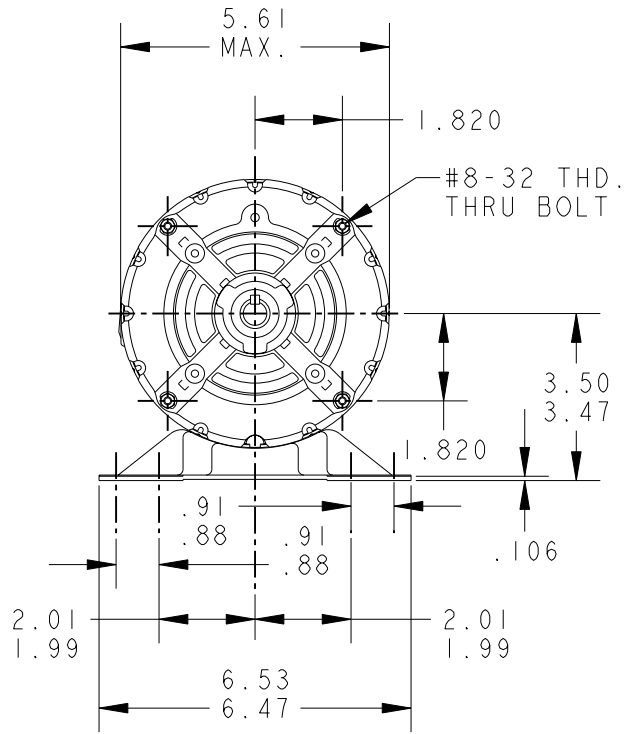
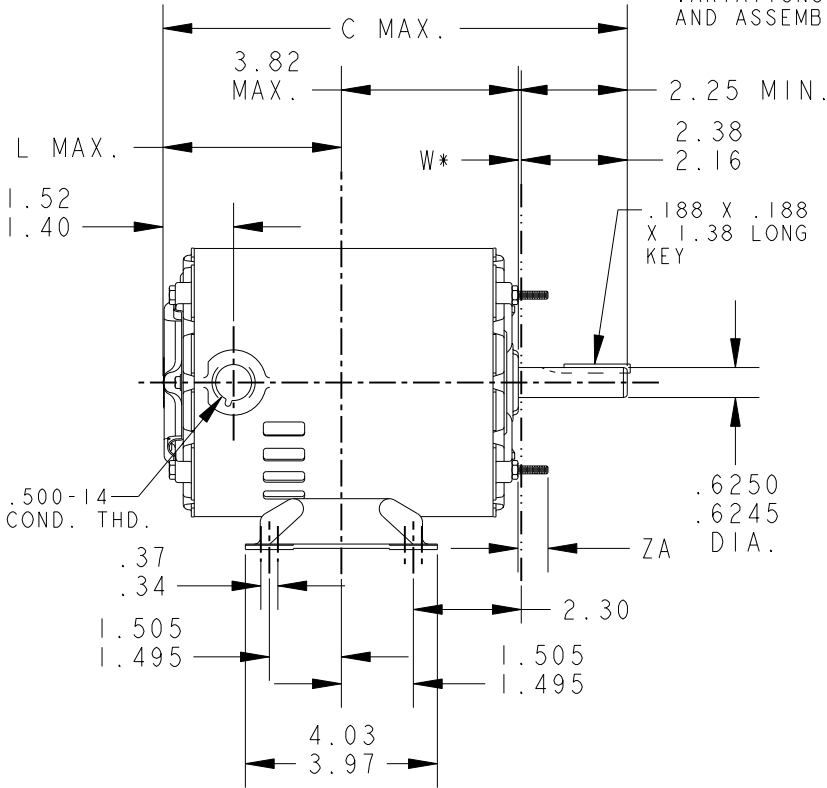
THIRD ANGLE PROJECTION



REVISIONS

REV.	DESCRIPTION	DATE	APPROVED
1	ADDED PART #2.	08/08/96	M.D.PAPE
2	CHG TO RBC FORMAT PER ISO5-1777	03/17/06	SUDHA

W\* IS A VARIABLE CLEARANCE DUE TO VARIATIONS IN PARTS AND ASSEMBLY.



VIEW SHOWING O.P.E. ENDSHIELD

2	KH	37	56Z	11.29	4.13	0.625
1	KH	36	56Z	10.89	3.73	0.625
P	TYPE	GE SIZE	NEMA FR	C	L	ZA

SIGNATURES		DATE
MODEL	M.D.PAPE	05/08/95
DETAIL	.	.
CHECKED	.	.
ENGRG	.	.
MFG	.	.
FOR ADDITIONAL INFO REFER TO:	QUALITY	.
APPLIED PRACTICES	ISSUED	M.D.PAPE 05/08/95
DIMENSIONS ARE IN INCHES ✓	SOLID MODEL: 52A109568	



REGAL-BELOIT CORPORATION

TITLE	
<b>OUTLINE</b>	
<b>FORM N GENERAL PURPOSE MOTOR - DP - BALL BEARING - EXT. CLAMP SCREWS - WELDED BASE</b>	
SIZE DRAWING	REV
A	2
SCALE: 0.250	REF. No: .
SHEET 1 of 1	

52A109568