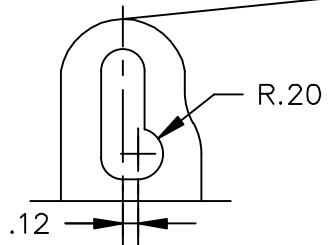
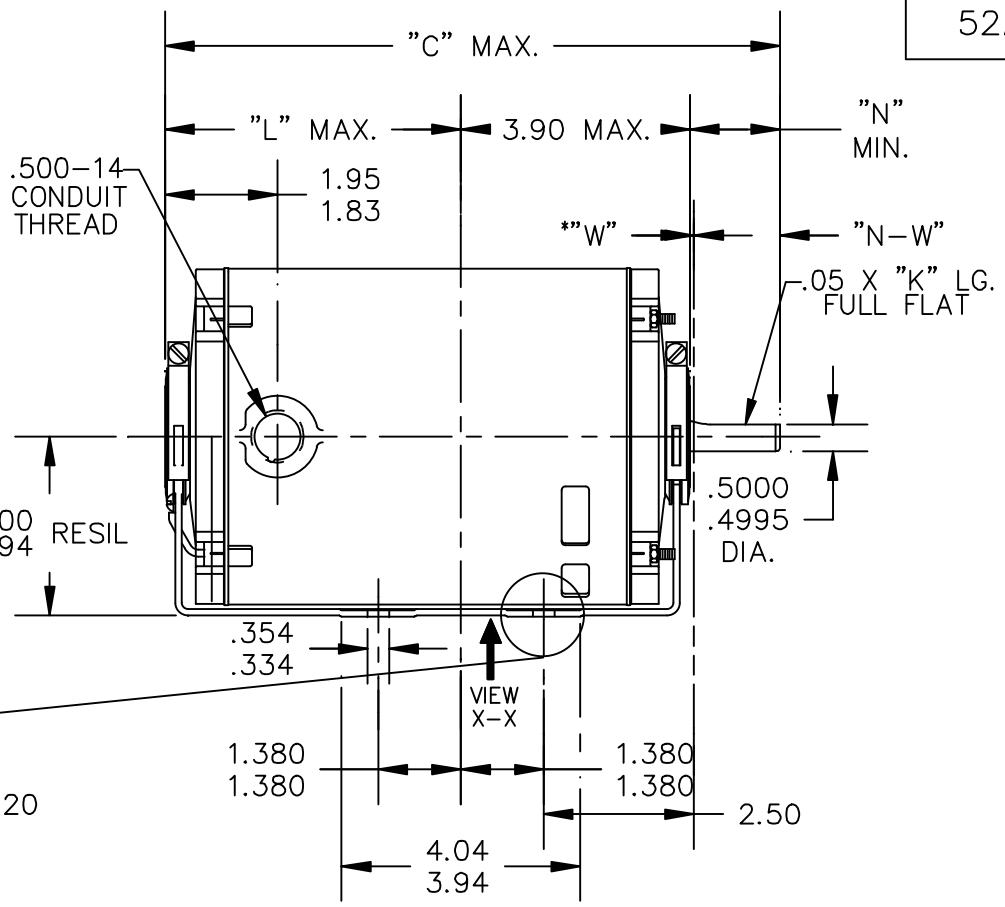


VIEW SHOWING P.E. VENTILATION OPENINGS



VIEW X-X ENLARGED VIEW OF SLOT

"W" IS A CLEARANCE DUE TO VARIATION IN PARTS AND ASSEMBLY

4	KH	35	48	9.56	1.16	4.22	1.50	1.63 1.41
3	KH	32	48Z	10.74	2.22	3.59	3.31	3.44 3.22
2	KH	33	48	9.18	1.16	3.84	1.50	1.63 1.41
1	K KH	32	48	8.93	1.16	3.59	1.50	1.63 1.41
P	TYPE	RBC SIZE	NEMA FR	"C"	"K"	"L"	"N"	"N-W"

				TOLERANCES UNLESS SPECIFIED				DRAWN PKG 09/01/07	
				DEC.	INCHES			CHK	
				.X	±0.1			APPD PKG 09/01/07	
				.XX	±0.02			SCALE 1=1	
				.XXX	±0.005	TITLE		REF	
						OUTLINE		FMF	
						DRIP PROOF RESIL. BASE		PREV	
01	REDRAWN IN DRAFT	SIGHT NO CHANGES	PVR 09/34/12	PKG .XXXX	±0.0005	MAT'L.			
NO.	REVISION		BY & DATE	CHK	ANG ±1.0	FINISH			
THIS DRAWING IN DESIGN AND DETAIL IS OUR PROPERTY AND MUST NOT BE USED EXCEPT IN CONNECTION WITH OUR WORK ALL RIGHTS OF DESIGN AND INVENTION ARE RESERVED THIS IS AN ELECTRONICALLY GENERATED DOCUMENT - DO NOT SCALE THIS PRINT				RFP	CAD FILE 52A111792		SIZE	DRAWING NO.	
				DIST			A	52A111792	
								REV. 01	