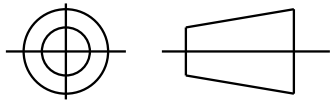


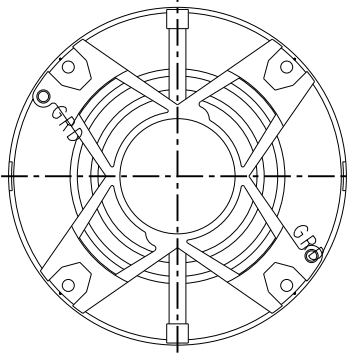
SHEET 1
REV 5
52A106918

THIRD ANGLE PROJECTION

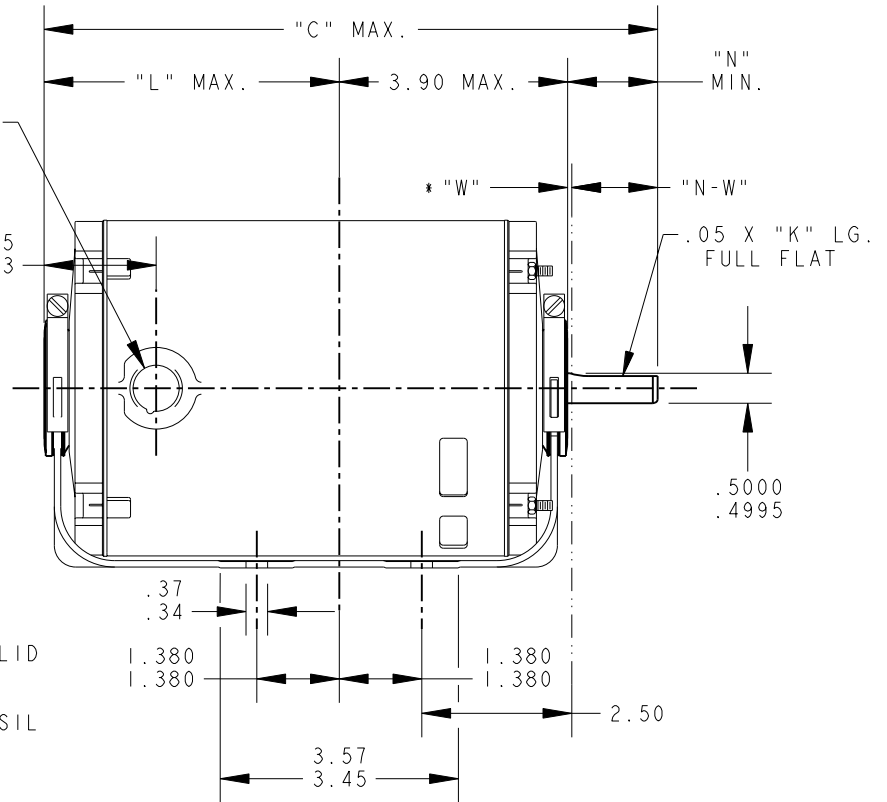
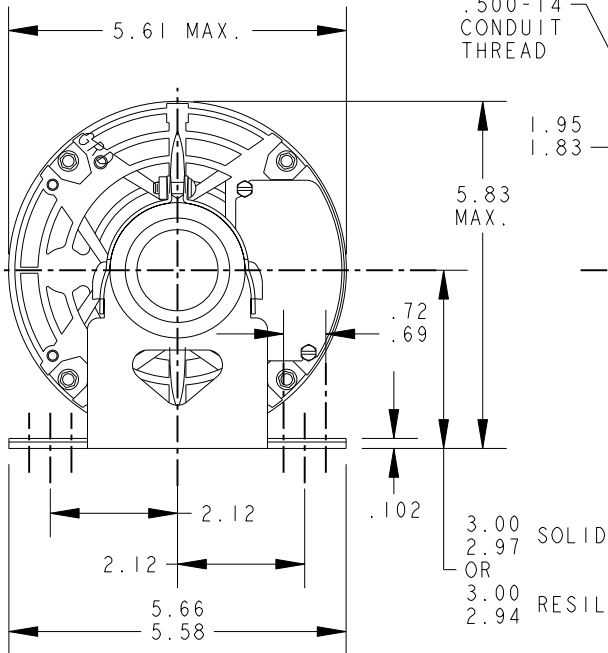


REVISIONS

REV.	DESCRIPTION	DATE	APPROVED
3	REDRAWN WITHOUT CHANGE	08/30/91	BLJ
4	REDRAWN BY 2M SOFTWARE CO.	03/04/95	CCP
5	CHG TO RBC FORMAT PER ISO5-1777	02/14/06	SUDHA




VIEW SHOWING P.E. VENTILATION OPENINGS



4	KH	35	48	9.56	1.16	4.22	1.50	1.63 1.41
3	KH	32	48Z	10.74	2.22	3.59	3.31	3.44 3.22
2	KH	33	48	9.18	1.16	3.84	1.50	1.63 1.41
1	K KH	32	48	8.93	1.16	3.59	1.50	1.63 1.41
P	TYPE	GE SIZE	NEMA FR	"C"	"K"	"L"	"N"	"N-W"

* "W" IS A CLEARANCE DUE TO VARIATION IN PARTS AND ASSEMBLY

SIGNATURES		DATE
MODEL	J.L.MORRIS	02/17/89
DETAIL	.	.
CHECKED	.	.
ENGRG	.	.
MFG	.	.
FOR ADDITIONAL INFO REFER TO:	QUALITY	.
APPLIED PRACTICES	ISSUED	C.C.P. 03/04/95
DIMENSIONS ARE IN INCHES ✓	SOLID MODEL: 52A106918	



REGAL-BELOIT CORPORATION

TITLE

OUTLINE

FORM N - GENERAL PURPOSE MOTOR - DRIP PROOF

SOLID OR RESIL. BASE - BALL OR SLEEVE BEARING

SIZE: DRAWING
A

52A106918

REV
5

SCALE: 0.250

REF. No: .

SHEET 1 of 1