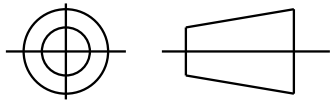


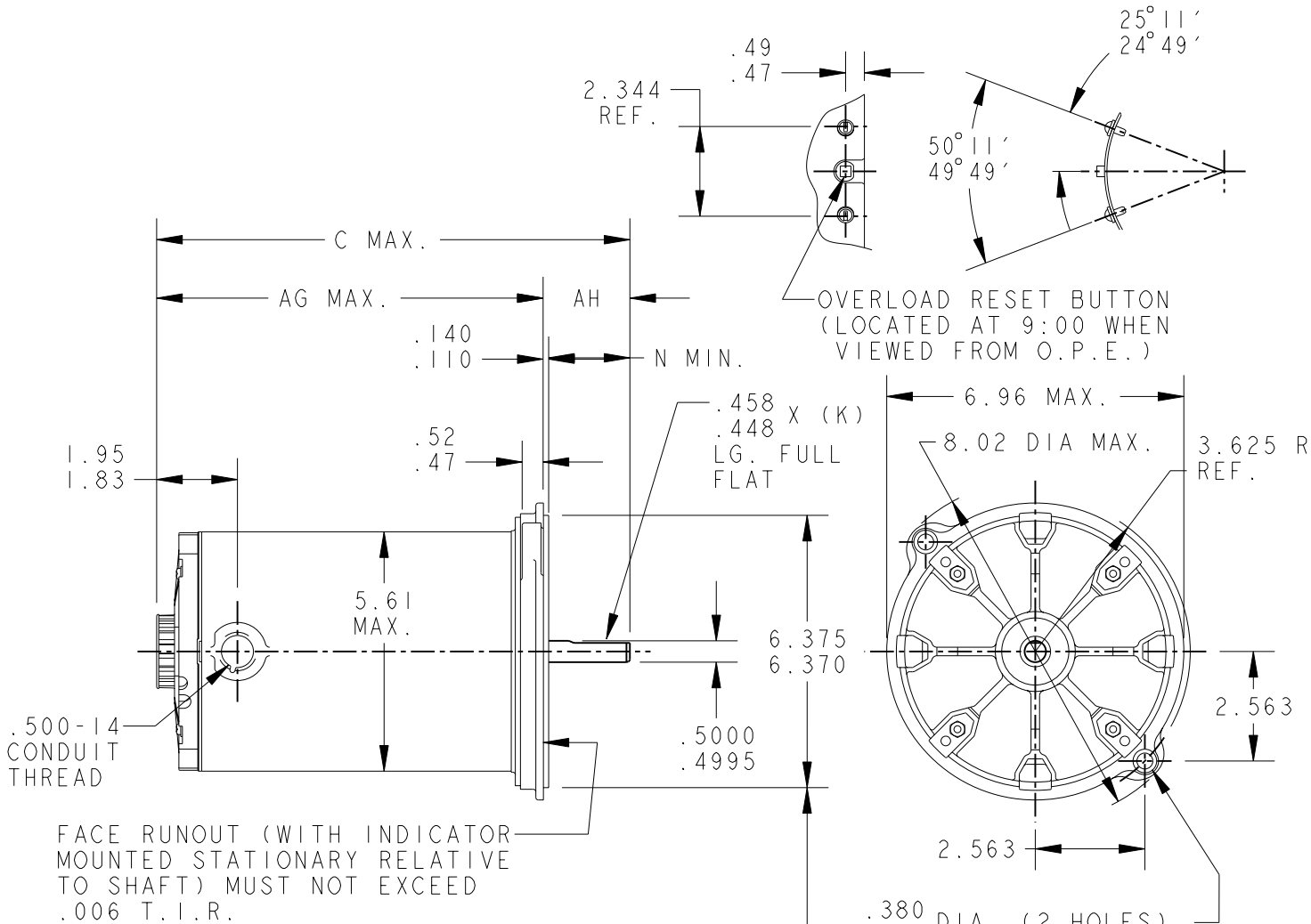
SHEET 1  
 REV 10  
 SIZE 52A106920  
 DRAWING NO. A

THIRD ANGLE PROJECTION



REVISIONS

REV.	DESCRIPTION	DATE	APPROVED
7	UPDATED PE END SHIELD PER T198-23554	06/05/98	M.D.PAPE
8	CHANGES PER T198-24008A	08/18/98	M.D.PAPE
9	.49/.47 WAS .45/.43 T198-24.130.	10/08/98	M.D.PAPE
10	CHG. MADE AS PER IS05-2714	10/26/05	GOVARDAN



FACE RUNOUT (WITH INDICATOR MOUNTED STATIONARY RELATIVE TO SHAFT) MUST NOT EXCEED .006 T.I.R.

ECCENTRICITY OF THIS SURFACE (WITH INDICATOR MOUNTED STATIONARY RELATIVE TO SHAFT) MUST NOT EXCEED .006 T.I.R.

2	KH	36	48N	10.07	8.05	2.09/1.97	1.84	1.31
1	KH	38	48N	11.07	9.05	2.09/1.97	1.84	1.31
P	TYPE	GE SIZE	NEMA FR	C	AG	AH	N	K

SIGNATURES		DATE		<b>REGAL-BELOIT CORPORATION</b>	
MODEL	M.A.M	02/27/89			
DETAIL	.	.			
CHECKED	.	.			
ENGRG	.	.			
TITLE			<b>OUTLINE</b> <b>FORM N - SPECIAL PURPOSE MOTOR - TWO LUG</b> <b>FLANGE MOUNTED - SLEEVE OR BALL BEARING</b>		
FOR ADDITIONAL INFO REFER TO:	QUALITY	.			
APPLIED PRACTICES	ISSUED	C.C.P 03/04/95			
DIMENSIONS ARE IN INCHES ✓		SCALE: 1.000	REF. No: .	<b>52A106920</b>	
MATERIAL	SOLID MODEL: 52A106920	SHEET 1 of 1		REV 10	