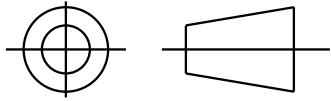


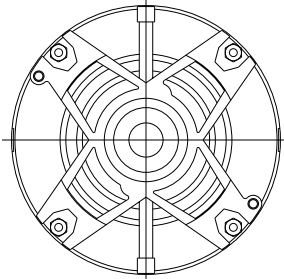
SHEET 1  
REV 5  
52A106984  
SIZE DRAWING NO. A

THIRD ANGLE PROJECTION

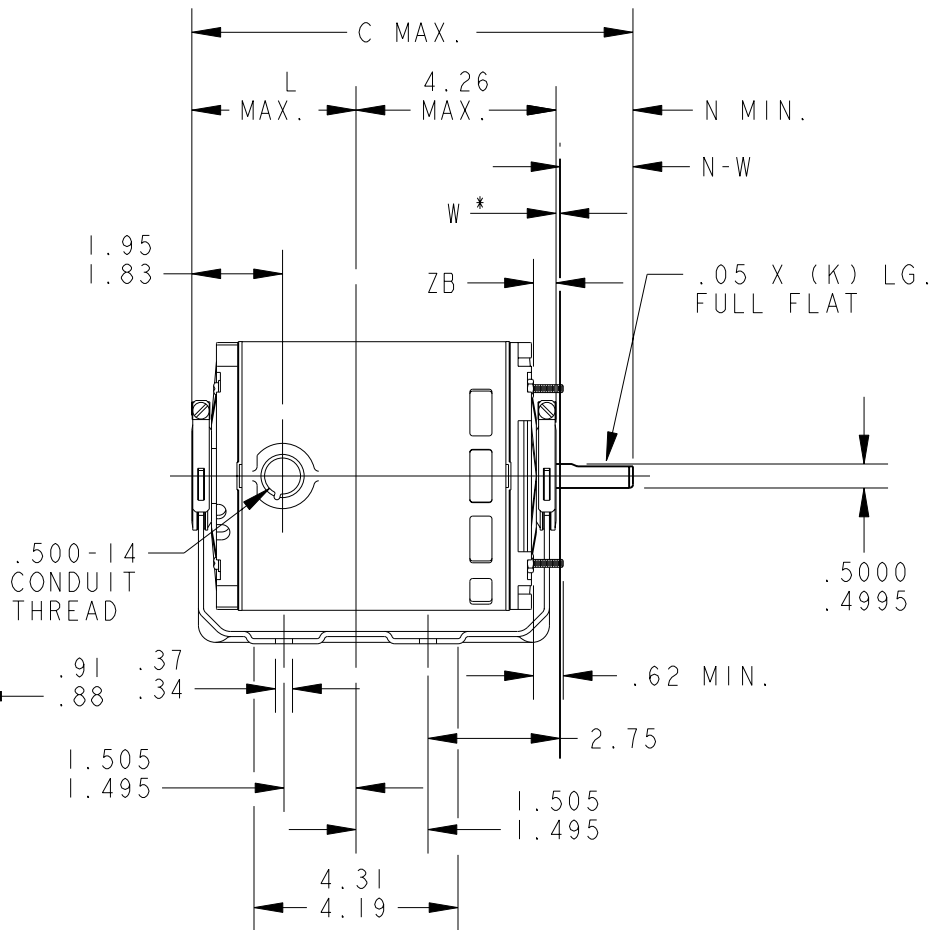
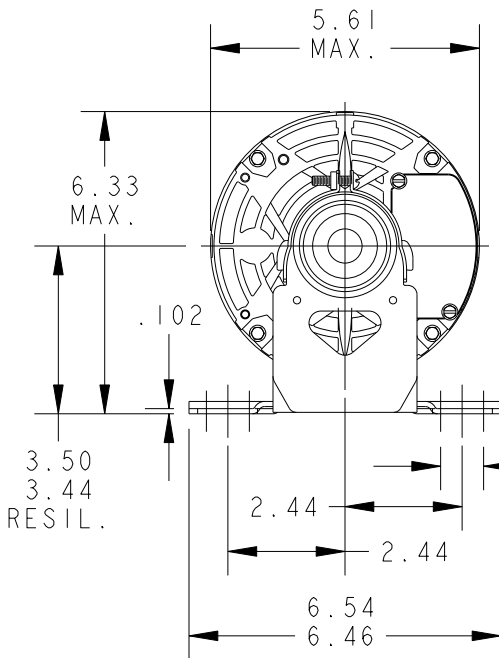


REVISIONS

REV.	DESCRIPTION	DATE	APPROVED
2	REDRAWN WITHOUT CHANGE	04/28/92	BLJ
3	UPDATED DESCRIPTION	04/20/92	MAM
4	REDRAWN BY 2M SOFTWARE CO.	03/05/95	CCP
5	CHG TO RBC FORMAT PER ISO5-1777	02/15/06	ARCHANA




VIEW SHOWING P.E. VENTILATION OPENINGS



2	KH	35	56Z	9.57	1.16	3.86	1.50	1.63/1.41	.55/.52
1	KH	33	56Z	9.19	1.16	3.48	1.50	1.63/1.41	.55/.52
P	TYPE	GE SIZE	NEMA FR	C	K	L	N	N-W	ZB

W\* IS A CLEARANCE DUE TO VARIATION IN PARTS AND ASSEMBLY.

SIGNATURES		DATE
MODEL	M. A. M.	10/14/89
DETAIL	.	.
CHECKED	.	.
ENGRG	.	.
MFG	.	.
QUALITY	.	.
ISSUED	C.C.P.	03/05/95
SOLID MODEL: 52A106984		



**REGAL-BELOIT CORPORATION**

TITLE: **OUTLINE**

**FORM N - GENERAL PURPOSE MOTOR - DRIP**

**PROOF - RESIL. BASE - BALL OR SLEEVE BEARING FMF 5KH39QN539T**

SCALE: 1.000 REF. No: . SHEET 1 of 1

FOR ADDITIONAL INFO REFER TO:  
 APPLIED PRACTICES  
 DIMENSIONS ARE IN INCHES ✓  
 MATERIAL