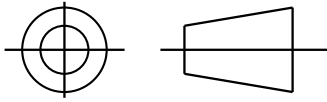




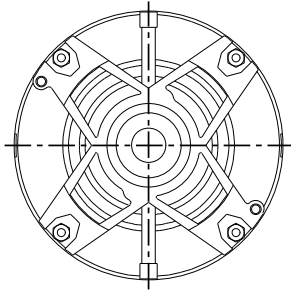
THIRD ANGLE PROJECTION



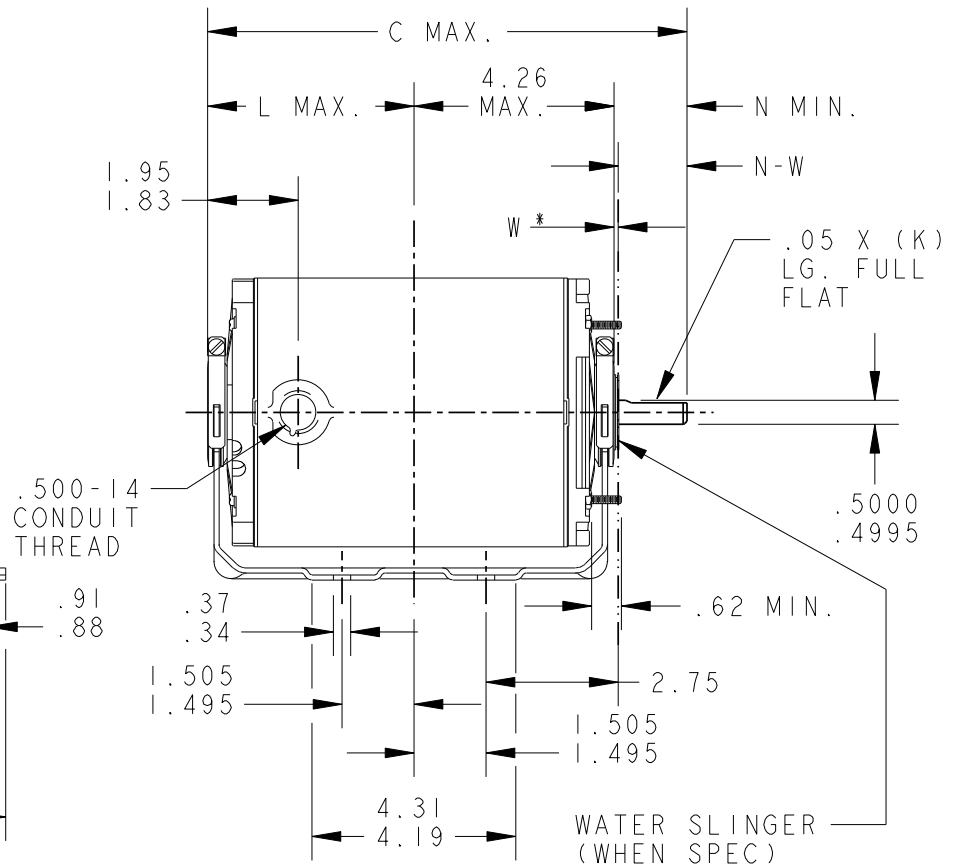
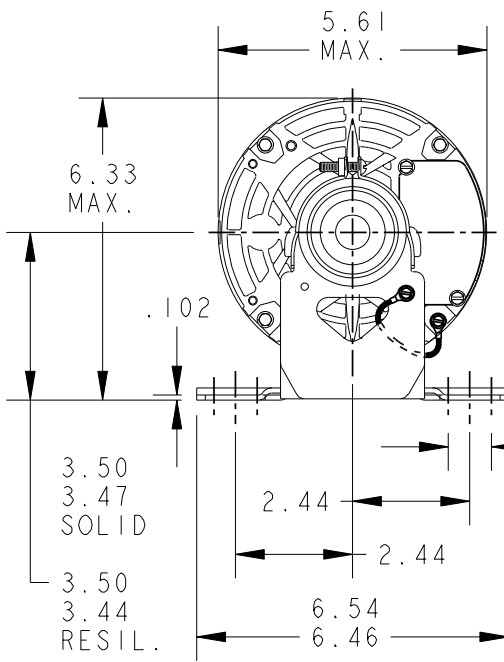
REVISIONS

| REV. | DESCRIPTION | DATE | APPROVED |
|------|---------------------------------|----------|----------|
| 2 | REDRAWN WITHOUT CHANGE | 04/27/92 | BLJ |
| 3 | REDRAWN BY 2M SOFTWARE CO. | 03/05/95 | CCP |
| 4 | CHG TO RBC FORMAT PER IS05-1777 | 02/15/06 | ARCHANA |

52A106994 4



VIEW SHOWING P.E. VENTILATION OPENINGS



| | | | | | | | | | |
|---|------|---------|---------|------|------|------|------|-----------|---------|
| I | KH | 36 | 56Z | 9.99 | 1.16 | 4.23 | 1.50 | 1.63/1.41 | .55/.52 |
| P | TYPE | GE SIZE | NEMA FR | C | K | L | N | N-W | ZB |

W * IS A CLEARANCE DUE TO VARIATION IN PARTS AND ASSEMBLY.

| SIGNATURES | | DATE |
|------------------------|----------|----------|
| MODEL | M. A. M. | 01/20/90 |
| DETAIL | . | . |
| CHECKED | . | . |
| ENGRG | . | . |
| MFG | . | . |
| QUALITY | . | . |
| ISSUED | C. C. P. | 03/05/95 |
| SOLID MODEL: 52A106994 | | |



REGAL-BELOIT CORPORATION

TITLE
OUTLINE
FORM N - GENERAL PURPOSE MOTOR - DRIP
PROOF - RESIL. BASE - SLEEVE BEARING FMF 5KH39QN9697AT

| | | |
|--------------|------------|--------------|
| SIZE | DRAWING | REV |
| A | | 4 |
| SCALE: 1.000 | REF. No: . | SHEET 1 of 1 |

52A106994 4