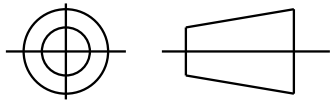


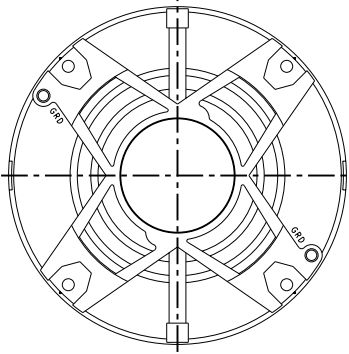
SHEET 1
 REV 3
 SIZE DRAWING NO. 52A106996
 A

THIRD ANGLE PROJECTION

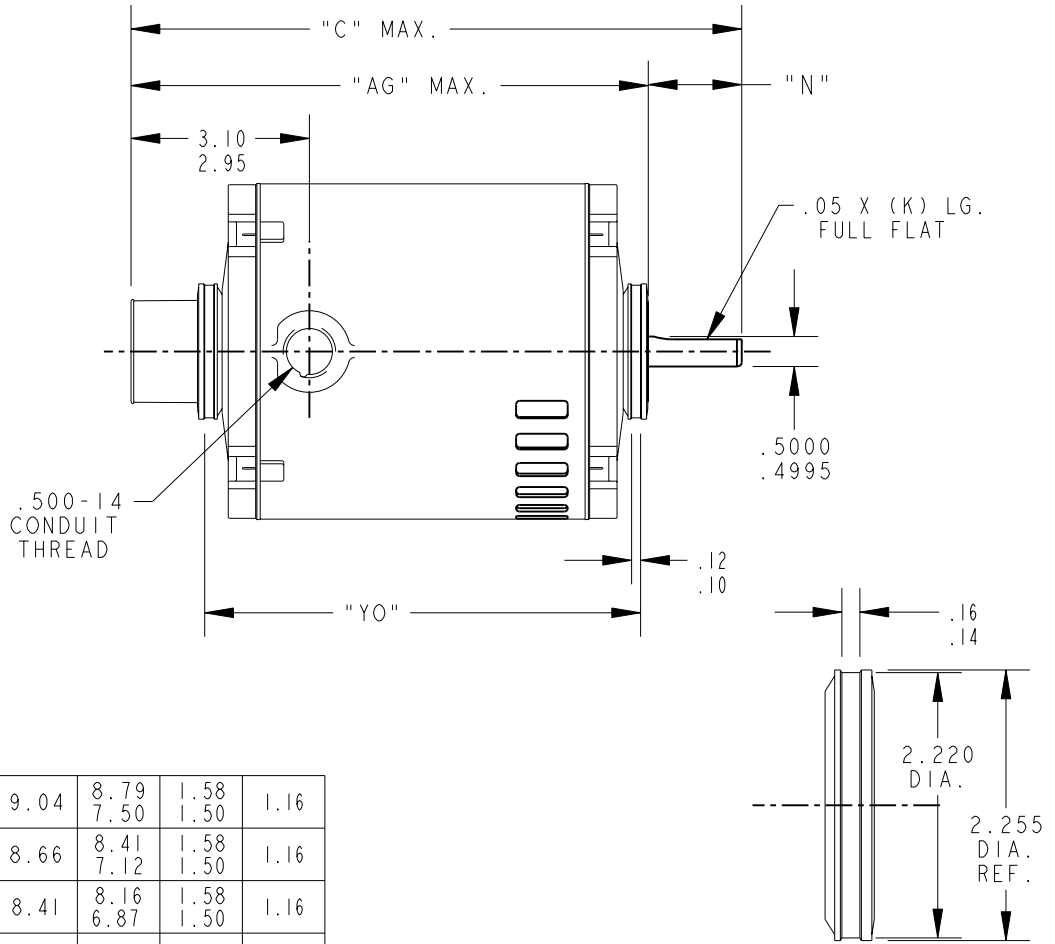
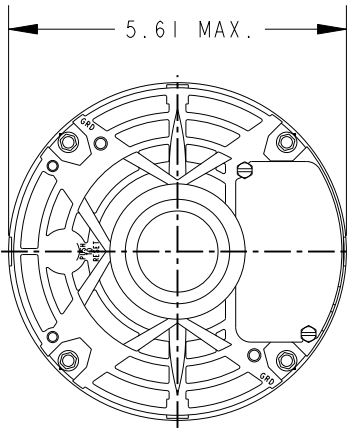


REVISIONS

REV.	DESCRIPTION	DATE	APPROVED
1	CHANGED TO BALL/SLV.	02/11/94	M.A.M.
2	REV. SHELL VENTS	11/04/94	M.A.M.
3	CHG TO RBC FORMAT PER ISO5-1777	02/16/06	SUDHA




VIEW SHOWING P.E. VENTILATION OPENINGS



3	KH	35	48Y	10.66	9.04	8.79 7.50	1.58 1.50	1.16
2	KH	33	48Y	10.28	8.66	8.41 7.12	1.58 1.50	1.16
1	KH	32	48Y	10.03	8.41	8.16 6.87	1.58 1.50	1.16
P	TYPE	GE SIZE	NEMA FR	"C"	"AG"	"YO"	"N"	"K"

		SIGNATURES	DATE
MODEL		MAM	01/24/90
DETAIL		.	.
CHECKED		.	.
ENGRG		.	.
MFG		.	.
FOR ADDITIONAL INFO REFER TO:			
APPLIED PRACTICES		QUALITY	.
DIMENSIONS ARE IN INCHES ✓		ISSUED	MAM 01/24/90
MATERIAL		SOLID MODEL: 52A106996	



REGAL-BELOIT CORPORATION

TITLE **OUTLINE**

PDQ MOTOR - DRIP PROOF - RESIL. BASE - BALL/SLV. BRG. (5KH39QN9696X)

SIZE DRAWING	52A106996	REV 3
SCALE: 0.250	REF. No: .	SHEET 1 of 1