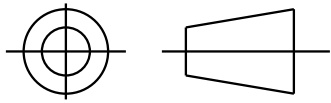


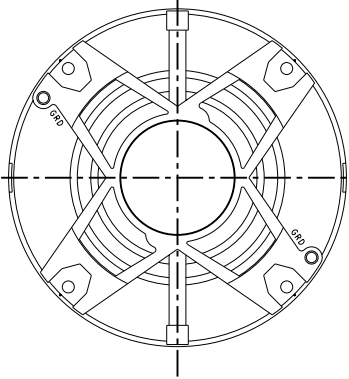
SHEET 1  
REV 5  
52A107002  
SIZE DRAWING NO. A

THIRD ANGLE PROJECTION

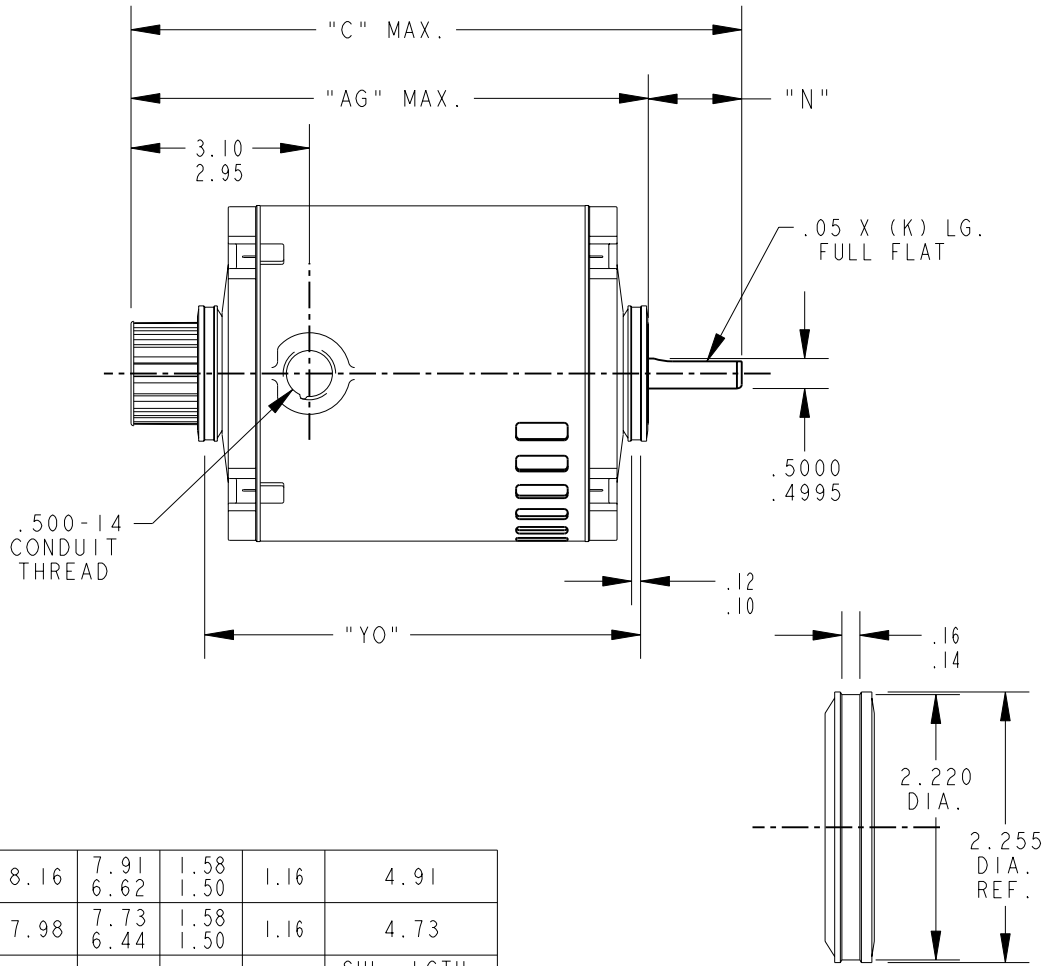
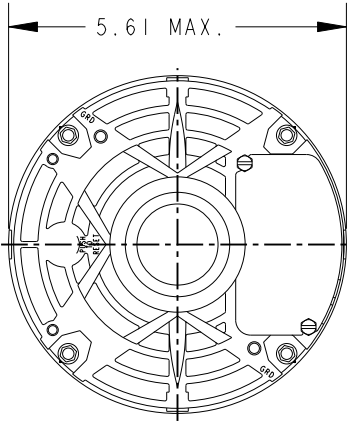


REVISIONS

REV.	DESCRIPTION	DATE	APPROVED
3	ADDED PART #2.	03/11/94	M.D.PAPE
4	REV. SHELL VENTS	11/04/94	M.A.M.
5	CHG TO RBC FORMAT PER ISO5-1777	02/16/06	SUDHA




VIEW SHOWING P.E. VENTILATION OPENINGS



2	KH	39	48Y	9.78	8.16	7.91 6.62	1.58 1.50	1.16	4.91
1	KH	39	48Y	9.60	7.98	7.73 6.44	1.58 1.50	1.16	4.73
P	TYPE	GE SIZE	NEMA FR	"C"	"AG"	"YO"	"N"	"K"	SHL. LGTH. REF.

		SIGNATURES	DATE
FOR ADDITIONAL INFO REFER TO:		MODEL	MAM 02/10/90
APPLIED PRACTICES		DETAIL	.
DIMENSIONS ARE IN INCHES ✓		CHECKED	.
		ENGRG	.
		MFG	.
		QUALITY	.
MATERIAL		ISSUED	MAM 02/10/90
		SOLID MODEL: 52A107002	



**REGAL-BELOIT CORPORATION**

**TITLE**

**OUTLINE**

**PDQ MOTOR - DRIP PROOF - RESIL. BASE - BALL/SLV. BRG. (5KH39QN9725T)**

SIZE	DRAWING
A	

52A107002

REV 5

SCALE: 0.313	REF. No: .	SHEET 1 of 1
--------------	------------	--------------