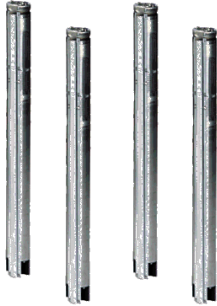


PROJECT: _____	UNIT TAG: _____	QUANTITY: _____
REPRESENTATIVE: _____	TYPE OF SERVICE: _____	DATE: _____
ENGINEER: _____	SUBMITTED BY: _____	DATE: _____
CONTRACTOR: _____	APPROVED BY: _____	DATE: _____
	ORDER NO.: _____	DATE: _____

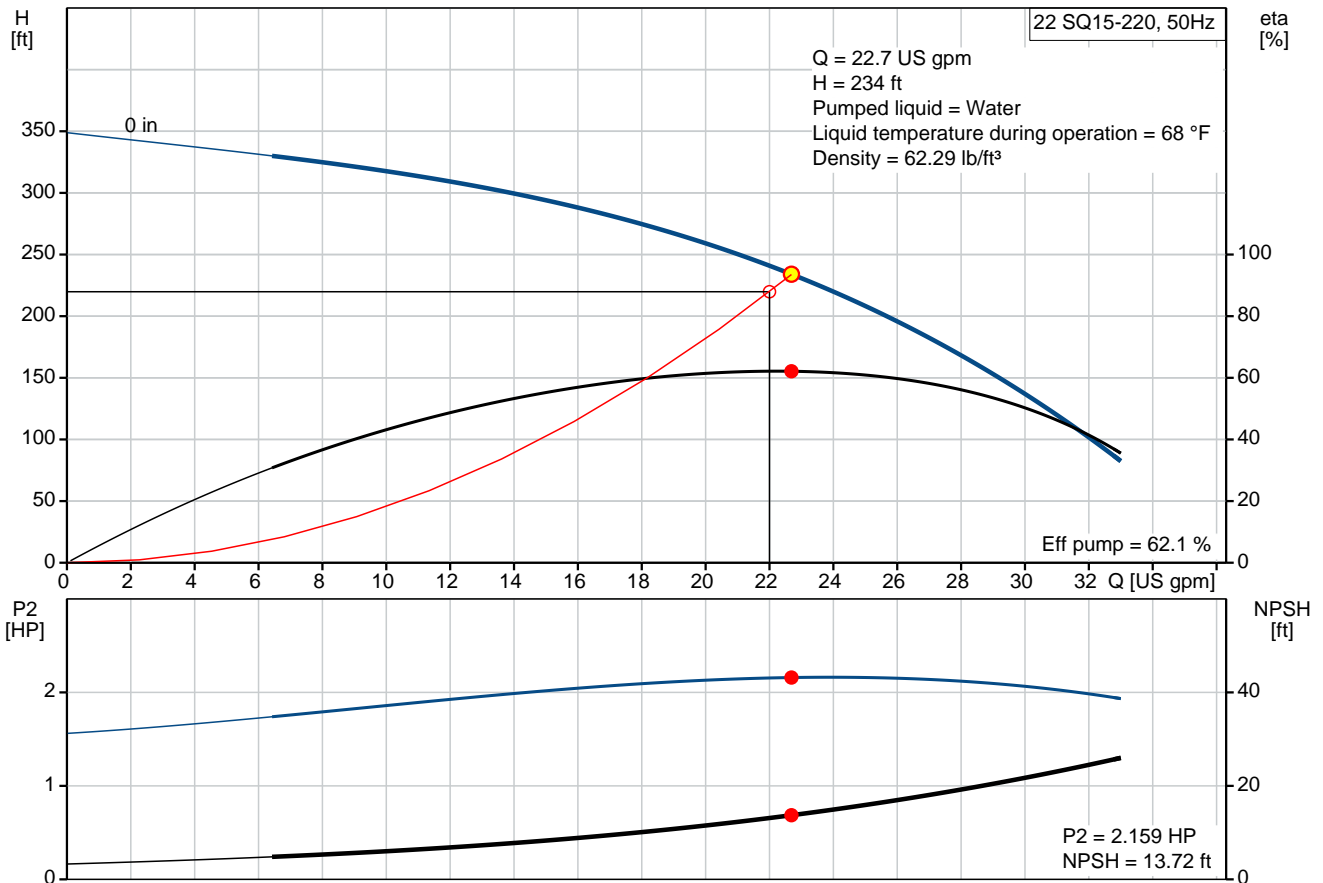


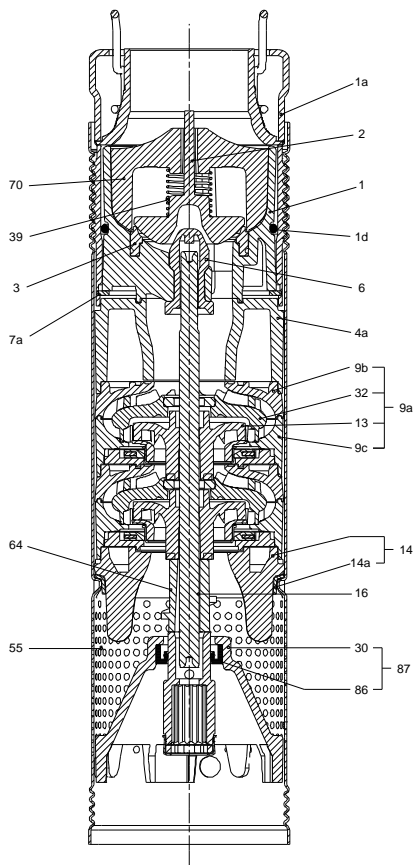
### 22 SQ15-220

Submersible pumps

Product photo could vary from the actual product

Conditions of Service		Pump Data		Motor Data	
Flow:	22.7 US gpm	Approvals:	UL, cUL	Rated voltage:	200-240 V
Head:	234 ft	Approvals motor:	UL,CUL	Main frequency:	50 Hz
Efficiency:	_____	Product number:	96160158	Enclosure class:	IP68
Liquid:	Water			Insulation class:	F
Temperature:	68 °F			Motor protection:	Y
NPSH required:	13.72 ft			Thermal protection:	internal
Viscosity:	_____			Motor type:	MS3
Specific Gravity:	1.000				



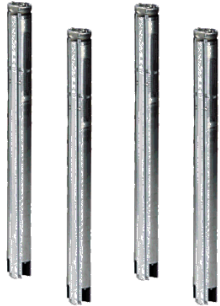


**Materials:**

Pump: Polyethylene / Stainless steel  
DIN W.-Nr. 1.4301

Motor: Stainless steel  
1.4301 EN  
AISI 304

## Tender Text



Product photo could vary from the actual product

Product No.: [96160158](#)

### 22 SQ15-220

3" multi-stage, submersible pump designed for domestic water supply, liquid transfer in tanks, irrigation and environmental applications. The pump has "floating" impellers, each with its own tungsten carbide/ceramic bearing.

The pump features soft starting and protection against dry-running, upthrust, overvoltage, undervoltage, overload and overtemperature.

The motor is a one-phase motor of the permanent magnet rotor type ensuring optimum efficiency within a wide load range.

The motor is fitted with a replaceable cable plug.

#### Liquid:

Pumped liquid: Water  
Maximum liquid temperature: 95 °F  
Max liquid temperature at 0.15 m/sec: 95 °F  
Liquid temperature during operation: 68 °F  
Density: 62.29 lb/ft<sup>3</sup>

#### Technical:

Speed for pump data: 10700 rpm  
Actual calculated flow: 22.7 US gpm  
Resulting head of the pump: 234 ft  
Approvals on nameplate: UL, cUL  
Approvals on motor nameplate: UL,CUL  
Curve tolerance: ISO9906:2012 3B

#### Materials:

Pump: Polyethylene / Stainless steel  
DIN W.-Nr. 1.4301  
Motor: Stainless steel  
1.4301 EN  
AISI 304

#### Installation:

Pump outlet: NPT 1 1/2  
Minimum borehole diameter: 2.99 in

#### Electrical data:

Motor type: MS3



**Company name:**

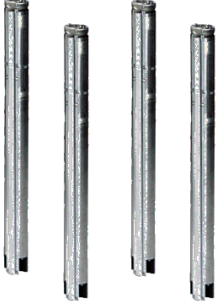
**Created by:**

**Phone:**

**Date:**

2/22/2018

Power input - P1: 2.54 kW  
Rated power - P2: 2.5 HP  
Main frequency: 50 Hz  
Rated voltage: 1 x 200-240 V  
Rated current: 12.3 A  
Power factor: 1,00  
Rated speed: 10700 rpm  
Start. method: direct-on-line  
Enclosure class (IEC 34-5): IP68  
Insulation class (IEC 85): F  
Length of cable: 4.922 ft

Position	Count	Description
	1	<p><b>22 SQ15-220</b></p>  <p style="text-align: center;">Product photo could vary from the actual product</p> <p>Product No.: <a href="#">96160158</a>            3" multi-stage, submersible pump designed for domestic water supply, liquid transfer in tanks, irrigation and environmental applications. The pump has "floating" impellers, each with its own tungsten carbide/ceramic bearing.</p> <p>The pump features soft starting and protection against dry-running, upthrust, overvoltage, undervoltage, overload and overtemperature.</p> <p>The motor is a one-phase motor of the permanent magnet rotor type ensuring optimum efficiency within a wide load range.            The motor is fitted with a replaceable cable plug.</p> <p><b>Liquid:</b>            Pumped liquid: Water            Maximum liquid temperature: 95 °F            Max liquid temperature at 0.15 m/sec: 95 °F            Liquid temperature during operation: 68 °F            Density: 62.29 lb/ft<sup>3</sup></p> <p><b>Technical:</b>            Speed for pump data: 10700 rpm            Actual calculated flow: 22.7 US gpm            Resulting head of the pump: 234 ft            Approvals on nameplate: UL, cUL            Approvals on motor nameplate: UL, CUL            Curve tolerance: ISO9906:2012 3B</p> <p><b>Materials:</b>            Pump: Polyethylene / Stainless steel                      DIN W.-Nr. 1.4301            Motor: Stainless steel                      1.4301 EN                      AISI 304</p> <p><b>Installation:</b>            Pump outlet: NPT 1 1/2            Minimum borehole diameter: 2.99 in</p> <p><b>Electrical data:</b>            Motor type: MS3            Power input - P1: 2.54 kW            Rated power - P2: 2.5 HP</p>



Company name:

Created by:

Phone:

Date:

2/22/2018

Position	Count	Description
		<p>Main frequency: 50 Hz Rated voltage: 1 x 200-240 V Rated current: 12.3 A Power factor: 1,00 Rated speed: 10700 rpm Start. method: direct-on-line Enclosure class (IEC 34-5): IP68 Insulation class (IEC 85): F Length of cable: 4.922 ft</p>



Company name:

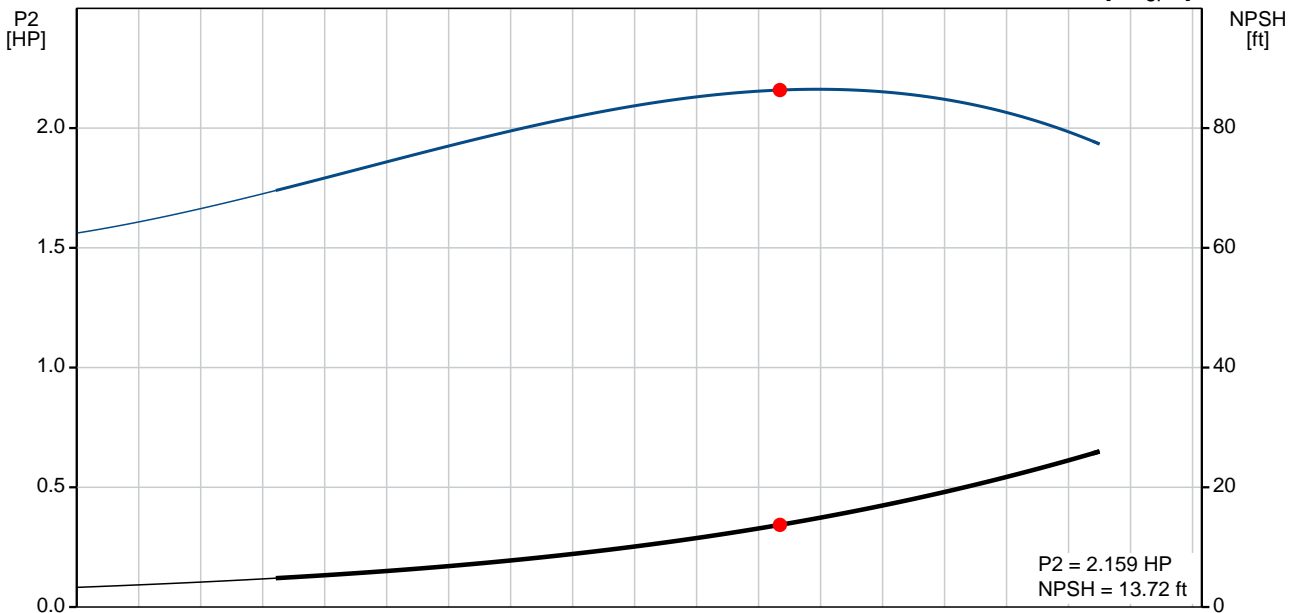
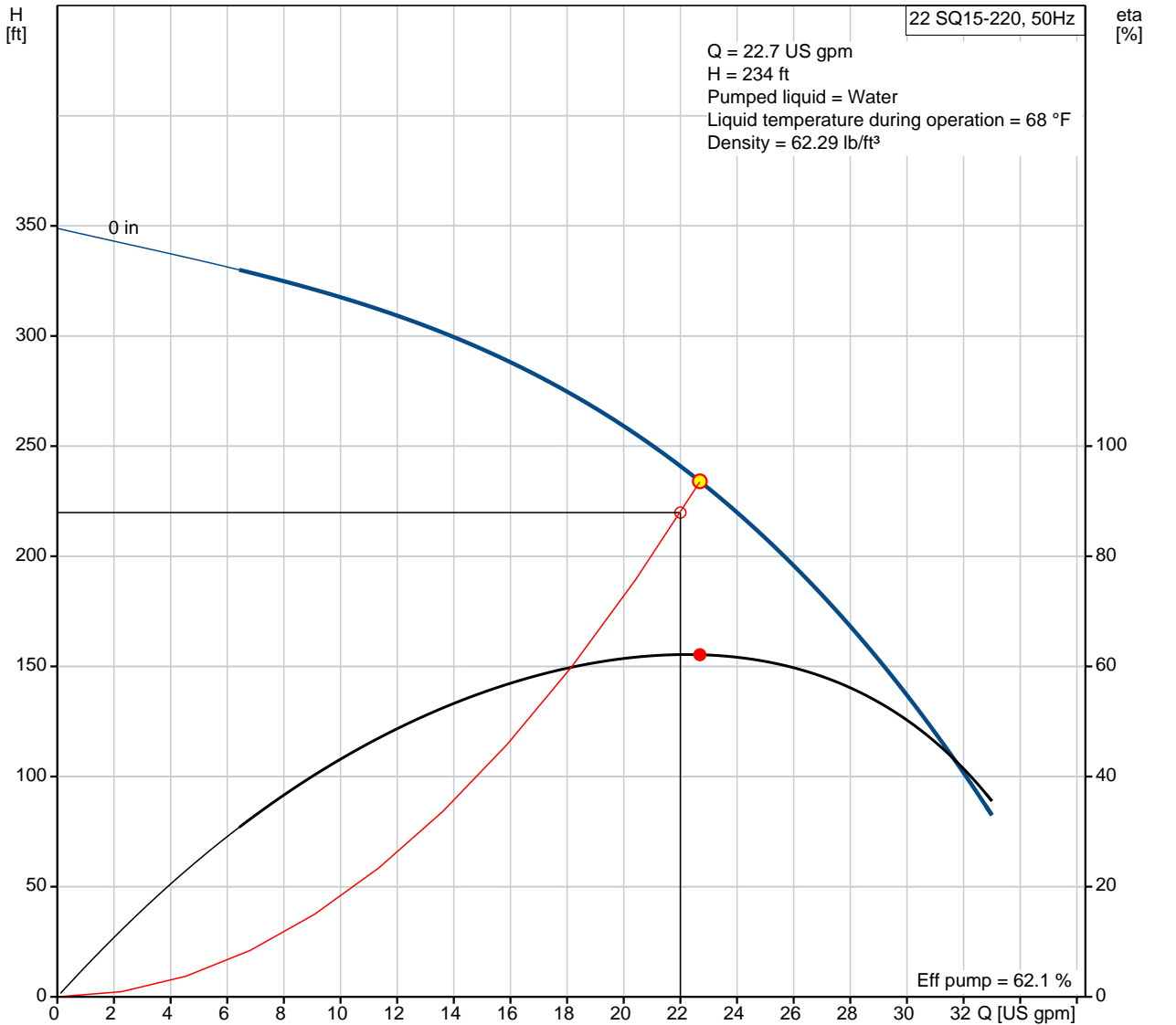
Created by:

Phone:

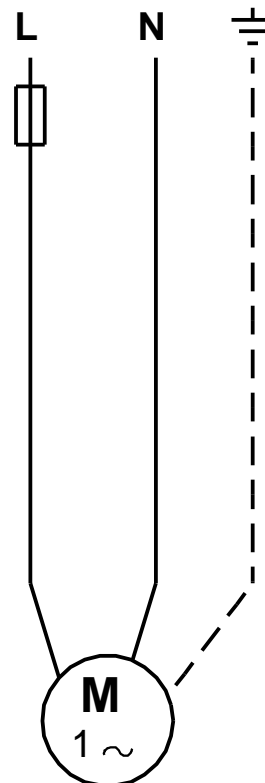
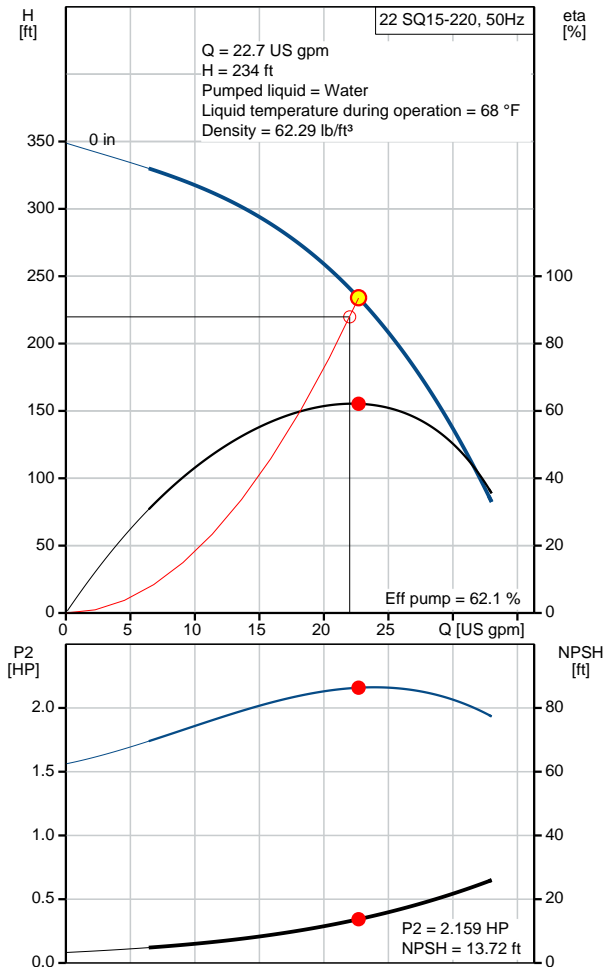
Date:

2/22/2018

### 96160158 22 SQ15-220 50 Hz

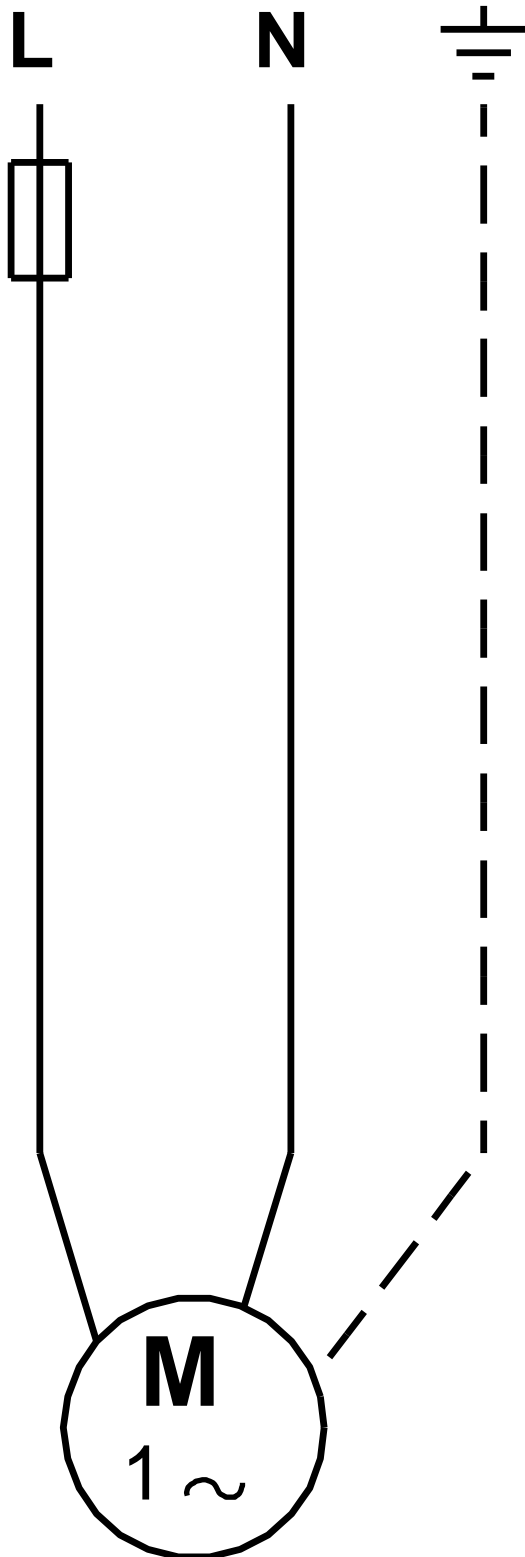


Description	Value
<b>General information:</b>	
Product name:	22 SQ15-220
Product No.:	96160158
EAN:	5700398694557
<b>Technical:</b>	
Speed for pump data:	10700 rpm
Actual calculated flow:	22.7 US gpm
Resulting head of the pump:	234 ft
Stages:	6
Approvals on nameplate:	UL, cUL
Approvals on motor nameplate:	UL,CUL
Curve tolerance:	ISO9906:2012 3B
Pump Number:	96397387
Model:	B
Valve:	pump with built-in non-return valve
<b>Materials:</b>	
Pump:	Polyethylene / Stainless steel
	DIN W.-Nr. 1.4301
Motor:	Stainless steel
	1.4301 EN
	AISI 304
<b>Installation:</b>	
Pump outlet:	NPT 1 1/2
Minimum borehole diameter:	2.99 in
<b>Liquid:</b>	
Pumped liquid:	Water
Maximum liquid temperature:	95 °F
Max liquid temperature at 0.15 m/sec:	95 °F
Liquid temperature during operation:	68 °F
Density:	62.29 lb/ft³
<b>Electrical data:</b>	
Motor type:	MS3
Power input - P1:	2.54 kW
Rated power - P2:	2.5 HP
Main frequency:	50 Hz
Rated voltage:	1 x 200-240 V
Rated current:	12.3 A
Power factor:	1,00
Rated speed:	10700 rpm
Start. method:	direct-on-line
Enclosure class (IEC 34-5):	IP68
Insulation class (IEC 85):	F
Motor protection:	Y
Thermal protec:	internal
Length of cable:	4.922 ft
Motor Number:	96160538
<b>Controls:</b>	
CU 300/CU 301:	no communication possible
<b>Others:</b>	
Sales region:	Namreg





96160158 22 SQ15-220 50 Hz



All units are [mm] unless otherwise presented.



Company name:

Created by:

Phone:

Date: 2/22/2018

---

**Order Data:**

Product name: 22 SQ15-220

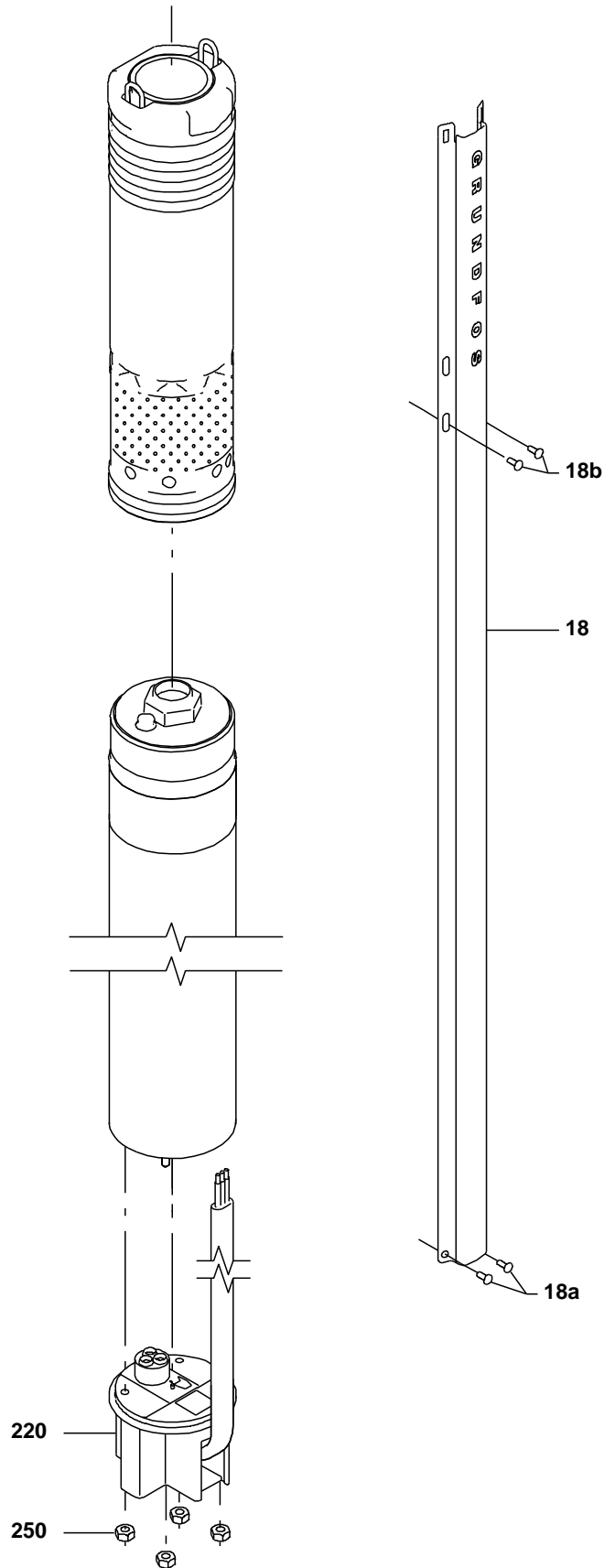
Amount: 1

Product No.: 96160158

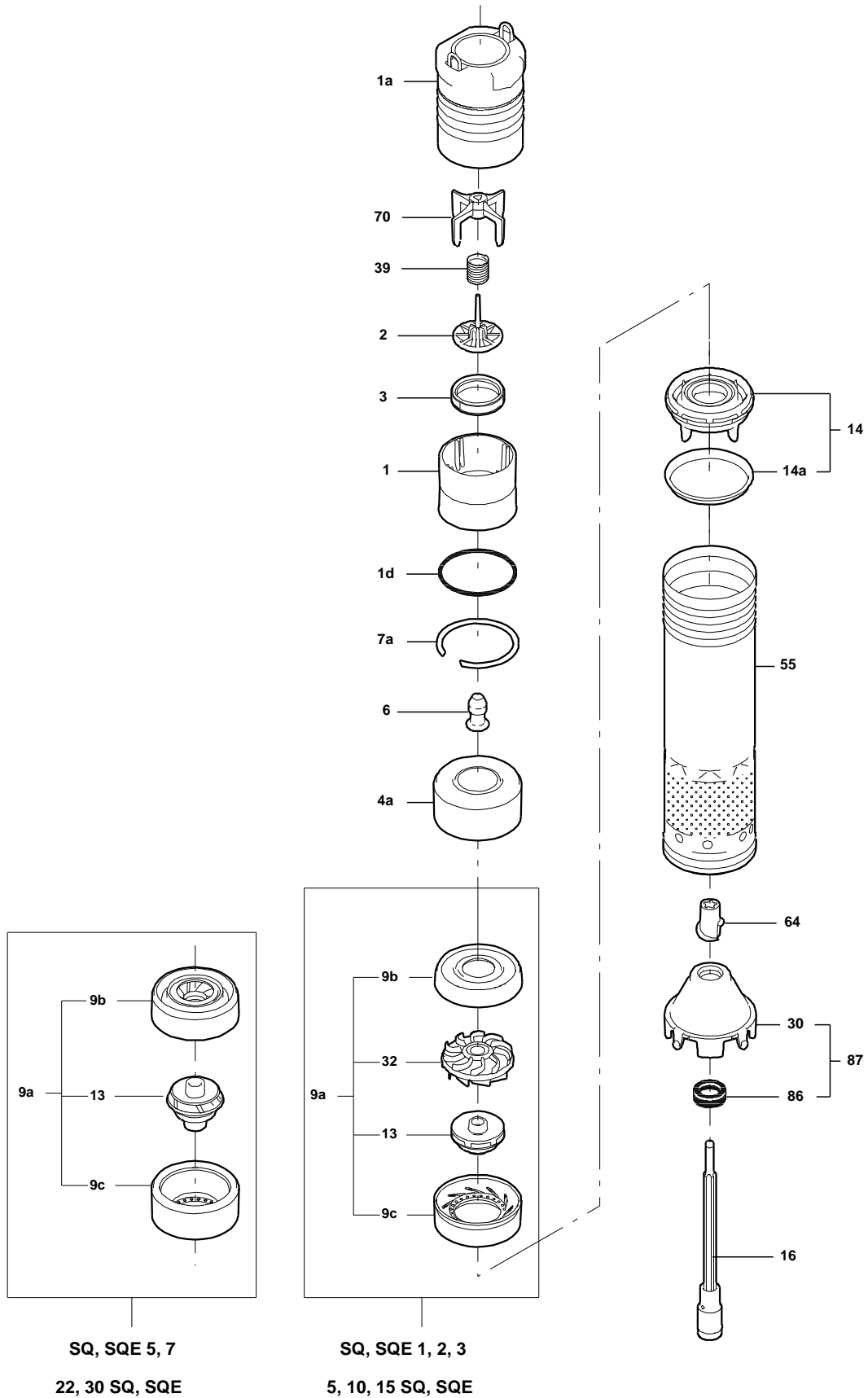
Total: Price on request

---

## Exploded view (tm021901 2401)



Exploded view (tm024206 0202)



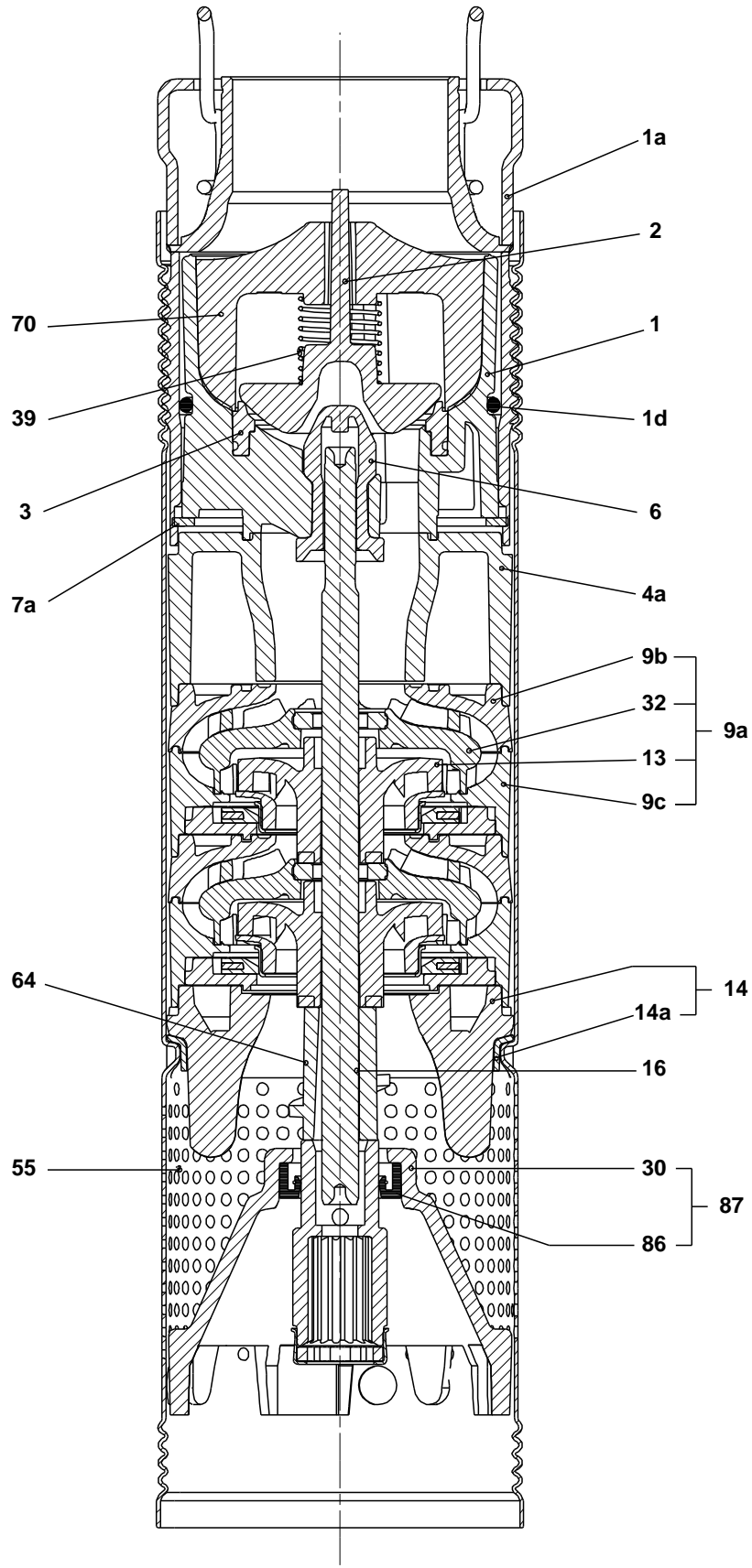
SQ, SQE 5, 7

22, 30 SQ, SQE

SQ, SQE 1, 2, 3

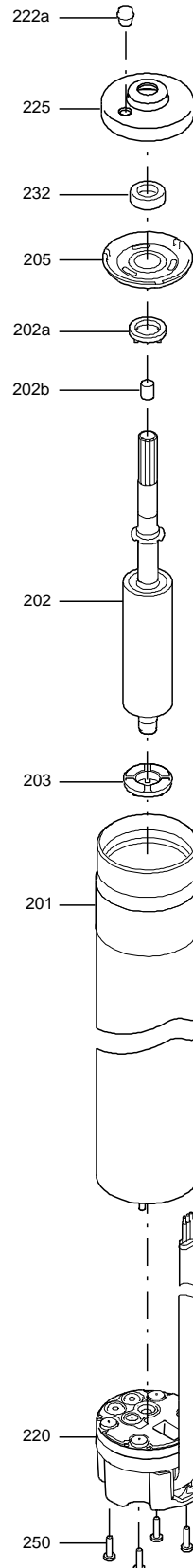
5, 10, 15 SQ, SQE

Sectional drawing (tm024207 0202)

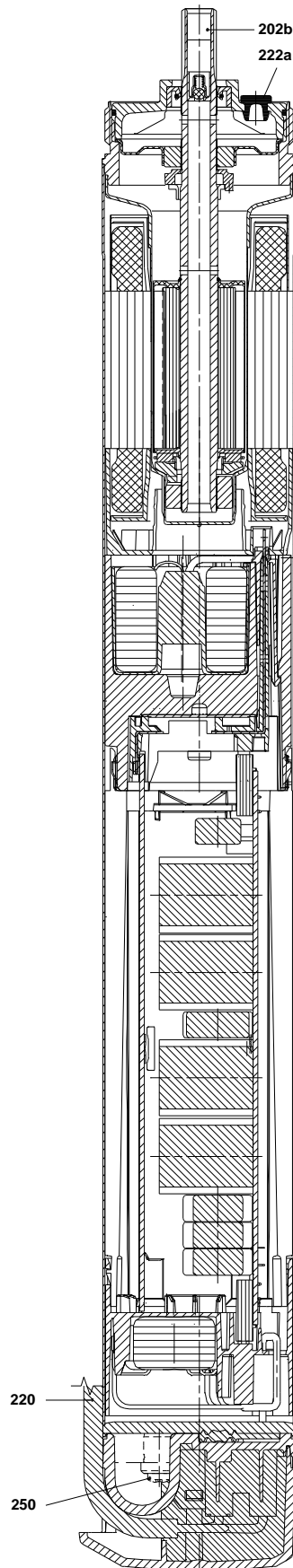


TM024207

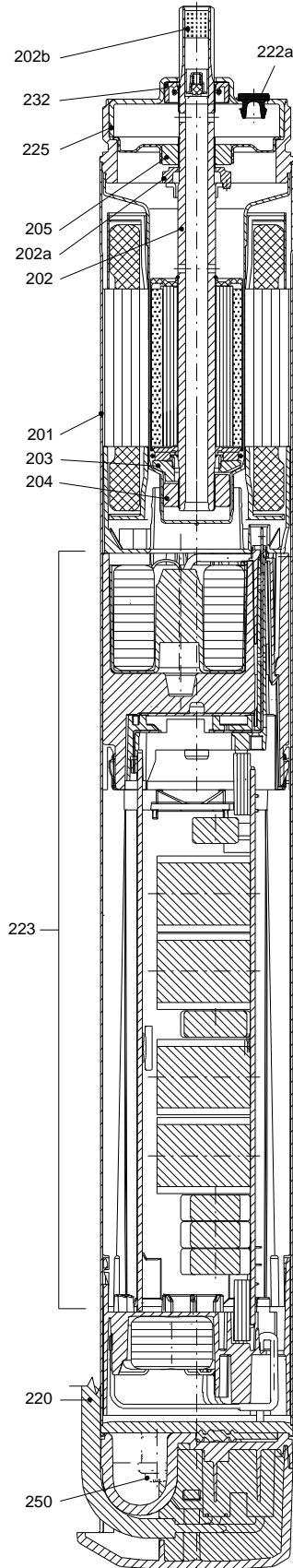
## Exploded view (TM012016 3504)



Sectional drawing ( TM038215 )



Sectional drawing (TM011953 3504)







Company name:

Created by:

Phone:

Date:

2/22/2018

**Parts list 22 SQ15-220, Prod number 96160158**

**Valid from 3.12.2012 (1249)**

Position	Description	Annotation	Classification data	Part No.	Count	Unit
-	Pump w/o motor				1	pcs
1a	Discharge chamber		Thread: NPT 1 1/2"		1	
16	Shaft cpl.		Length: 286,6		1	
55	Pump sleeve				1	
-	Motor				1	pcs
	Cable w/plug				1	
250	Pan head screw				4	
18	Rail for cable guard				1	pcs