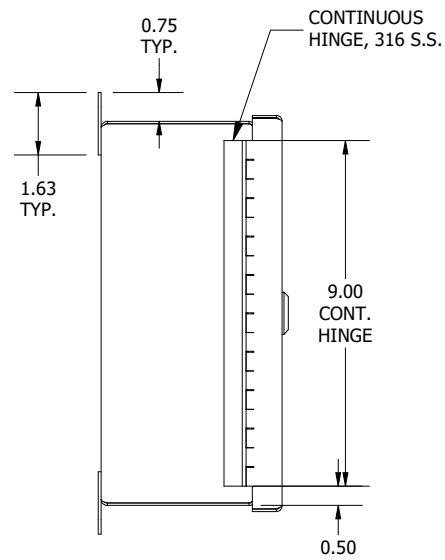
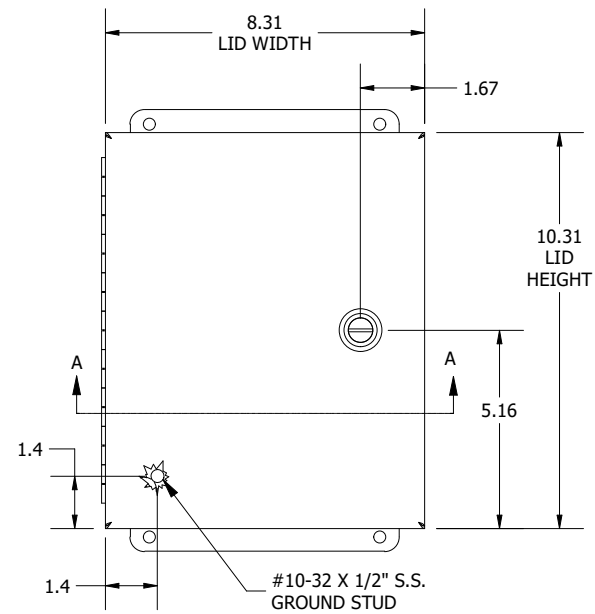


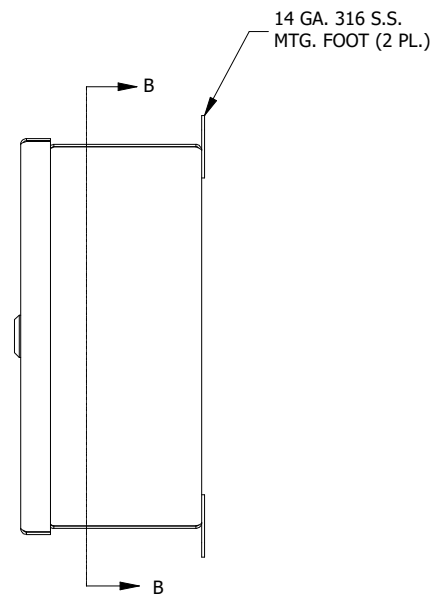
**TOP VIEW**



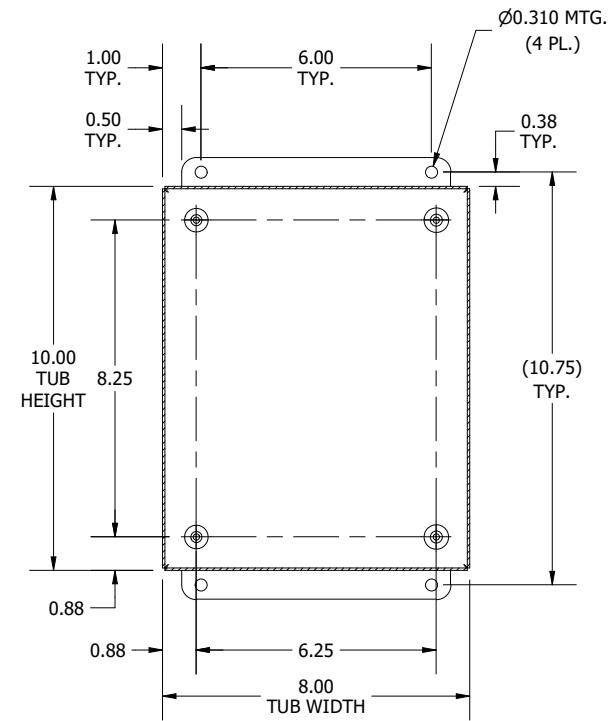
**LEFT SIDE VIEW**



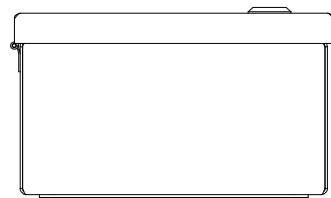
**FRONT VIEW**



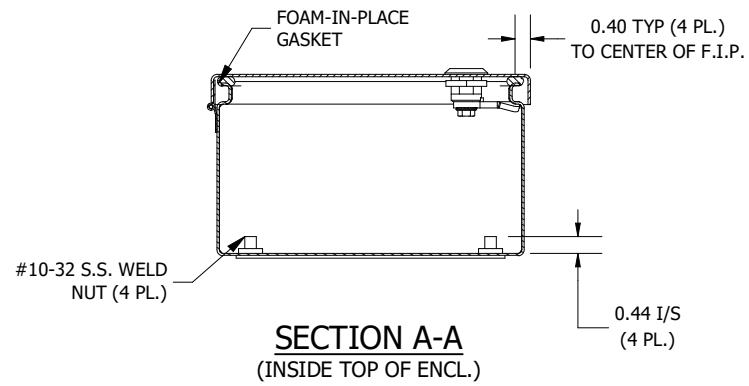
**RIGHT SIDE VIEW**



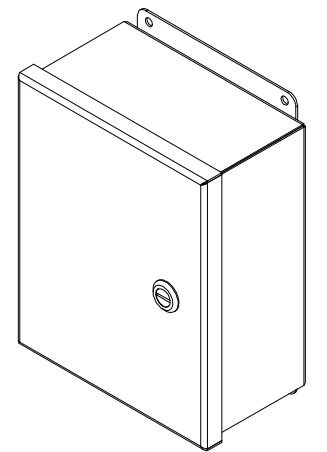
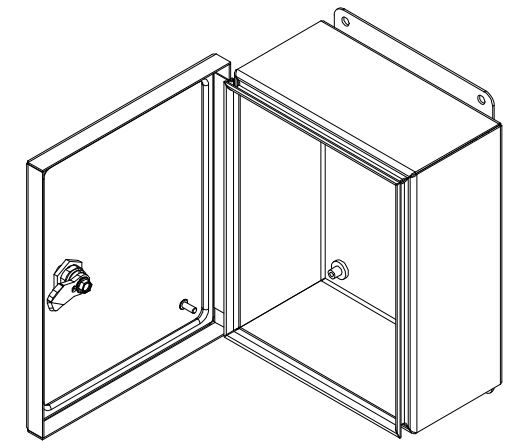
**SECTION B-B  
(INSIDE BACK OF ENCL.)**



**BOTTOM VIEW**



**SECTION A-A  
(INSIDE TOP OF ENCL.)**



**PART #:BN4100804CHQTSSA**  
**(DATA SUBJECT TO CHANGE WITHOUT NOTICE)**  
**THIS DRAWING IS THE PROPERTY OF HUBBELL INC. WIEGMANN**  
**ALL INFORMATION IS PROPRIETARY AND NOT TO BE DUPLICATED**