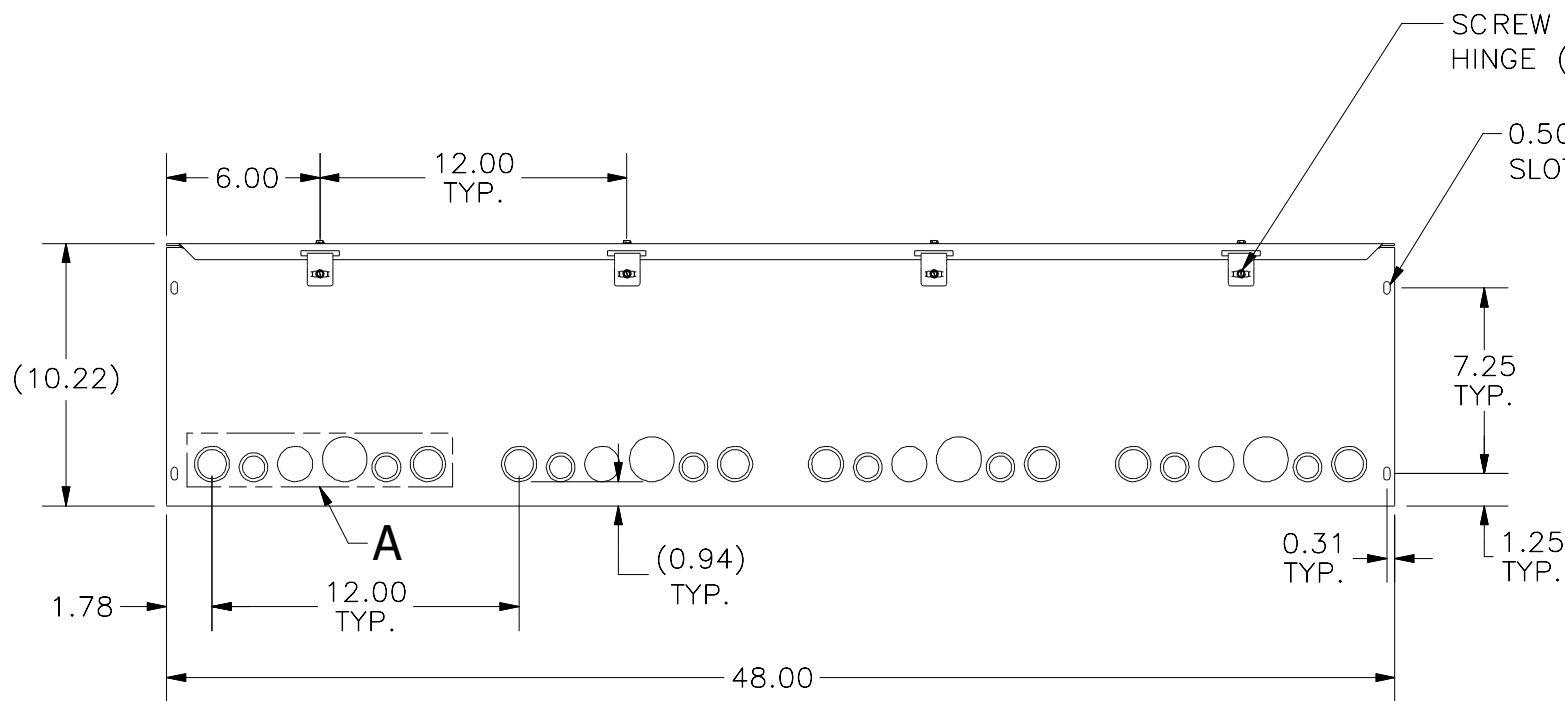
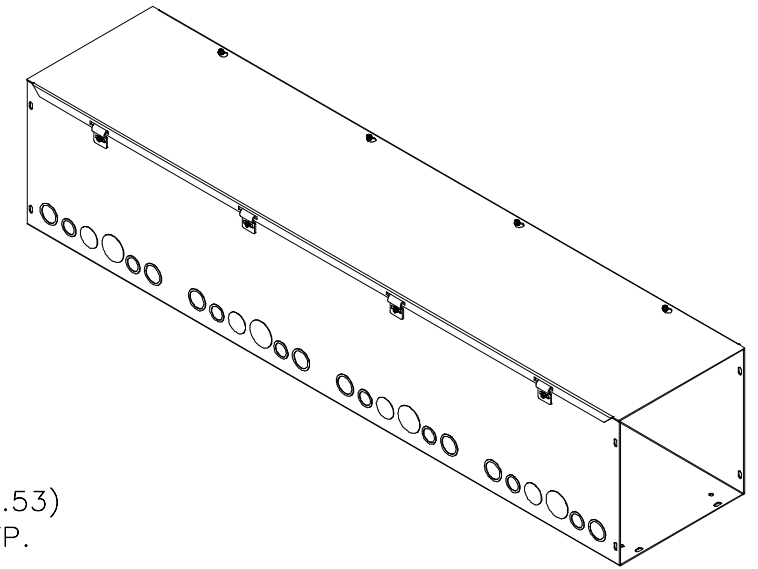


TOP VIEW

#10-32 X 3/8" SCREW,
SELF-TAPPING (4 PL.)

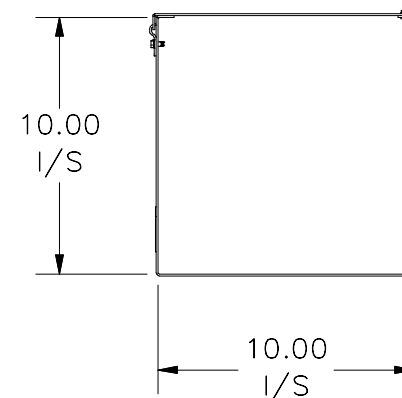


FRONT VIEW

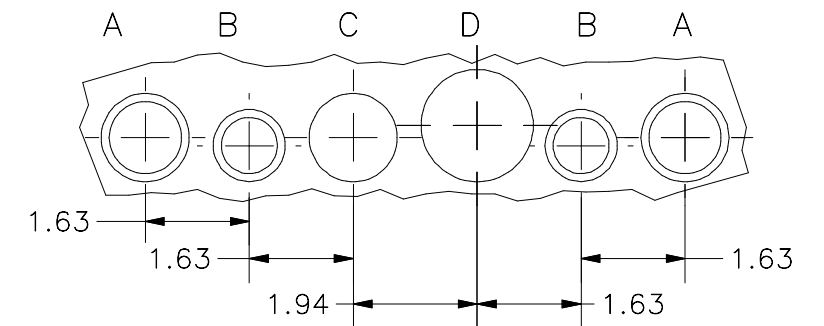
SCREW ON
HINGE (4 PL.)

0.500 X 0.250
SLOT (4 PER SIDE)

(0.53)
TYP.

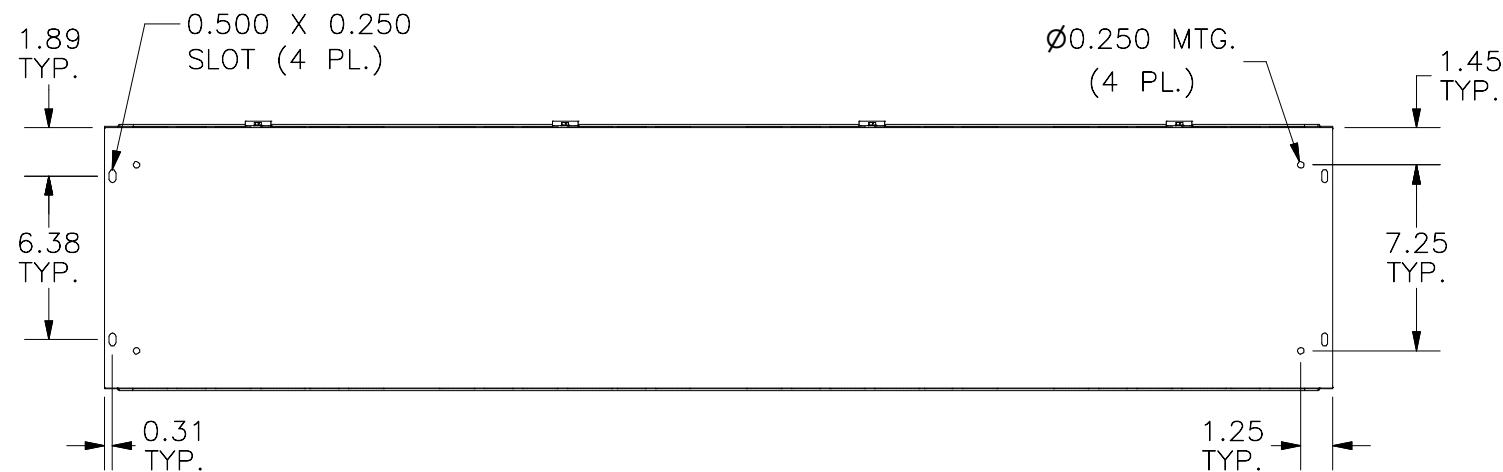


RIGHT VIEW



**DETAIL A (4 PL)
PATTERN DESCRIPTION**

- A) 3/4"-1" CONCENTRIC KO
- B) 1/2"-3/4" CONCENTRIC KO
- C) 1" SOLID KO
- D) 1 1/4" SOLID KO



BOTTOM VIEW

PART#: HS10104
(DATA SUBJECT TO CHANGE WITHOUT NOTICE)

THIS DRAWING IS PROPERTY OF HUBBELL INC. WIEGMANN
ALL INFORMATION IS PROPRIETARY AND NOT TO BE DUPLICATED