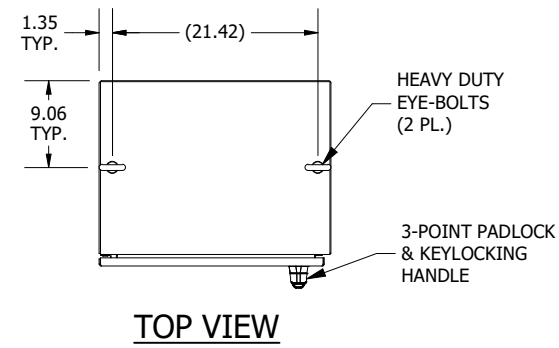
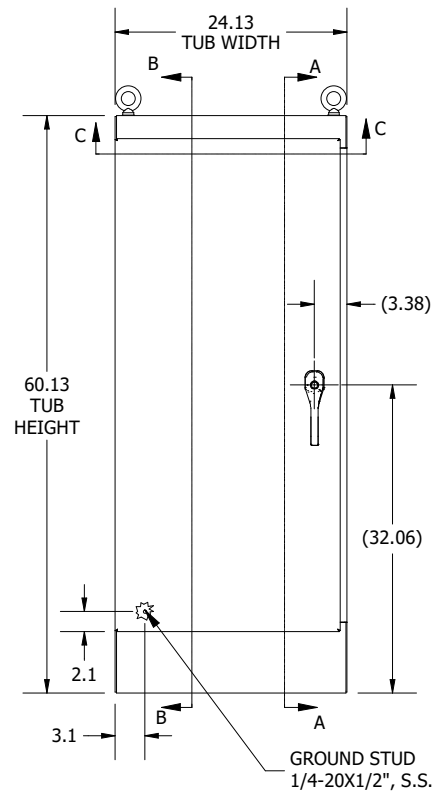


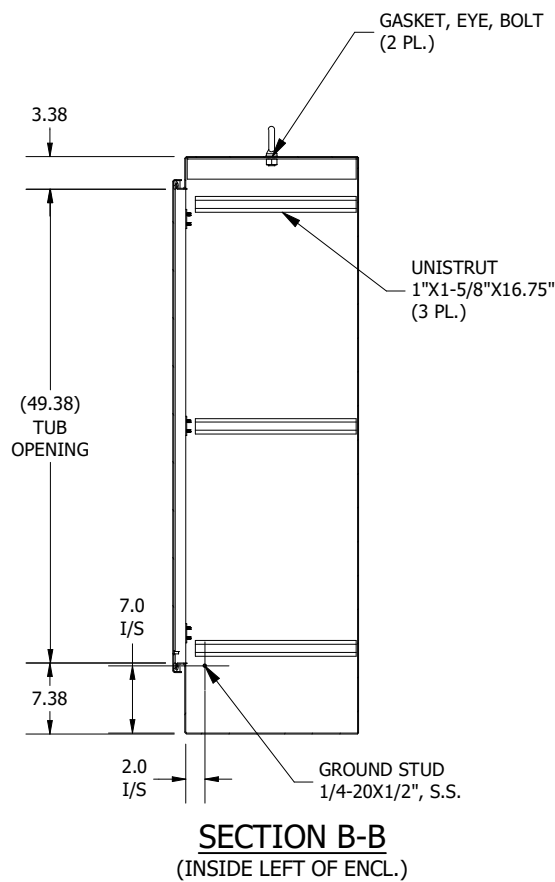
LEFT SIDE VIEW



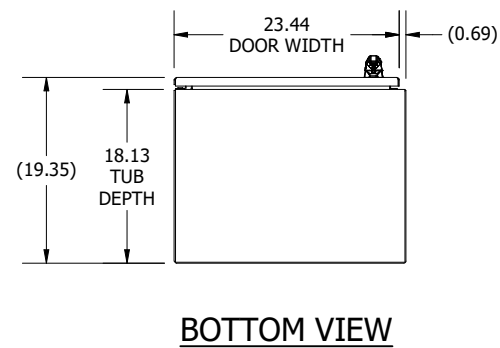
TOP VIEW



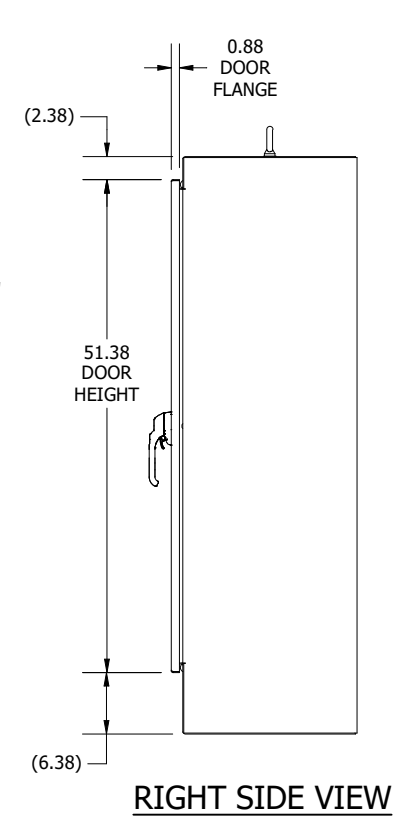
FRONT VIEW



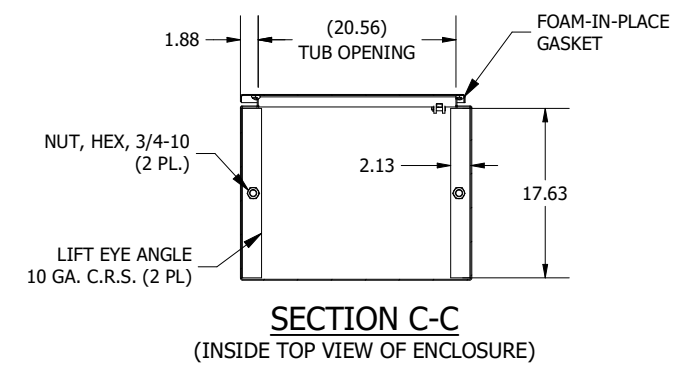
SECTION B-B
(INSIDE LEFT OF ENCL.)



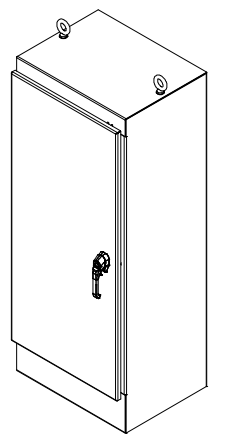
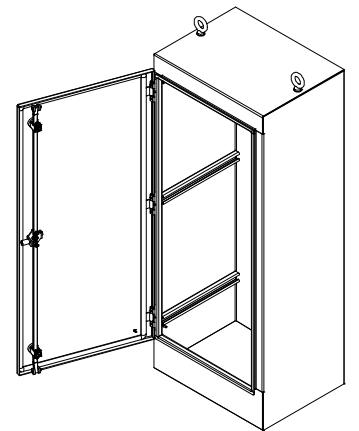
BOTTOM VIEW



RIGHT SIDE VIEW



SECTION C-C
(INSIDE TOP VIEW OF ENCLOSURE)



PART #:WRD602418FS4
 (DATA SUBJECT TO CHANGE WITHOUT NOTICE)
 THIS DRAWING IS THE PROPERTY OF HUBBELL INC. WIEGMANN
 ALL INFORMATION IS PROPRIETARY AND NOT TO BE DUPLICATED