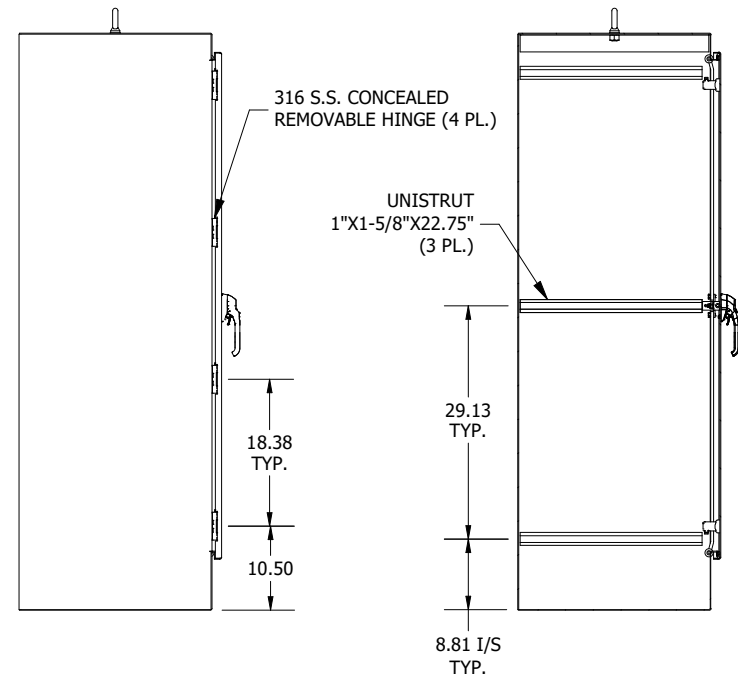
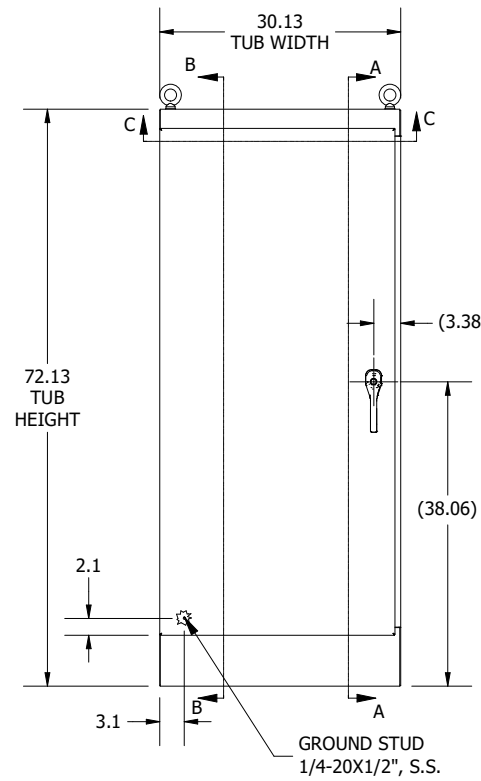


TOP VIEW

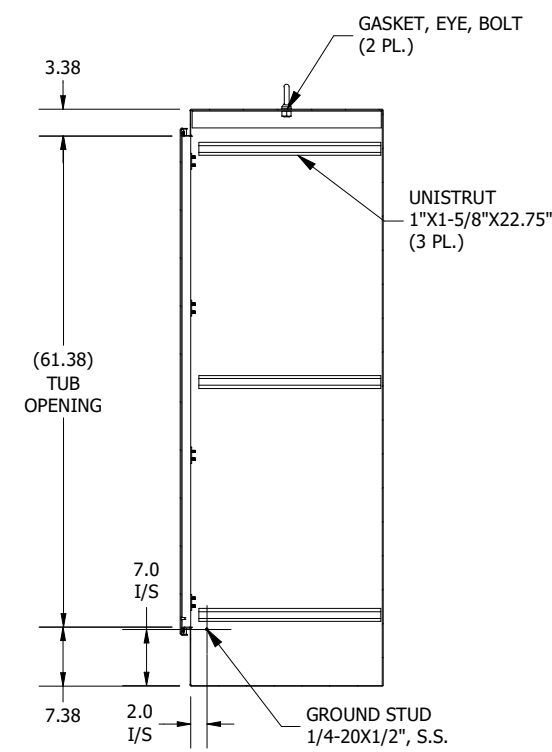


LEFT SIDE VIEW

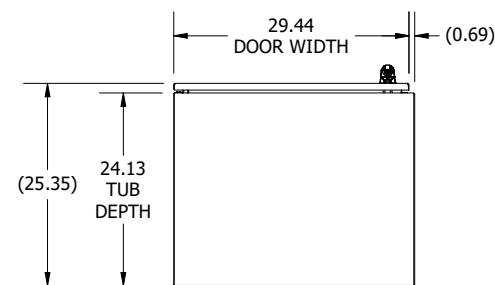
SECTION A-A
(INSIDE RIGHT OF ENCL.)



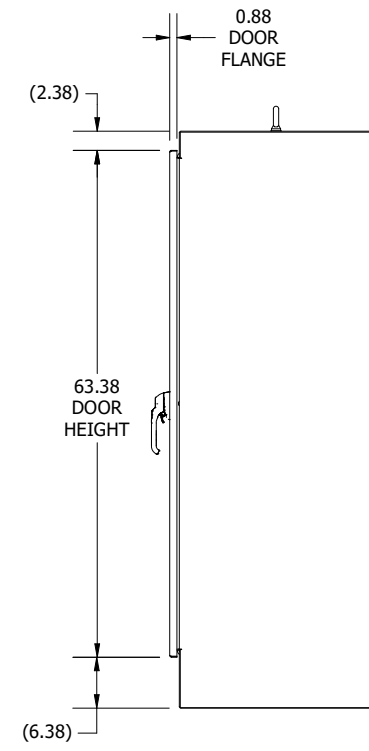
FRONT VIEW



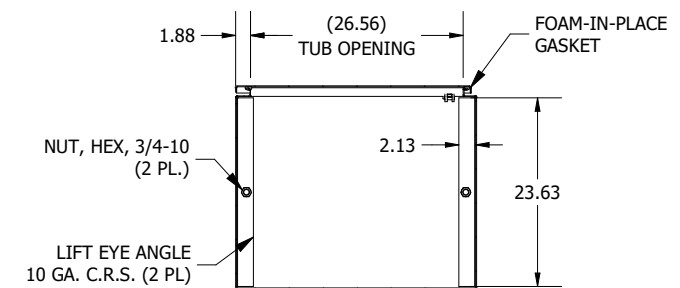
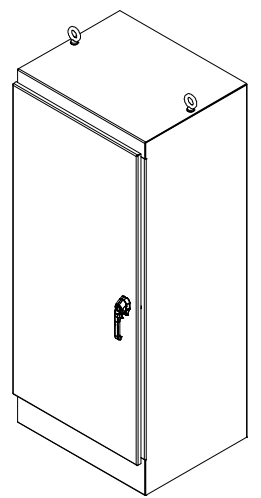
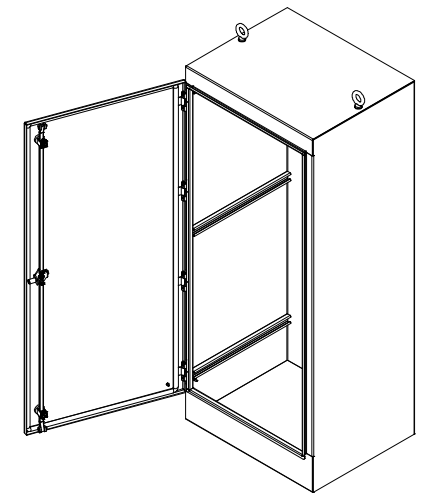
SECTION B-B
(INSIDE LEFT OF ENCL.)



BOTTOM VIEW



RIGHT SIDE VIEW



SECTION C-C
(INSIDE TOP VIEW OF ENCLOSURE)

PART #:WRD723024FS4

(DATA SUBJECT TO CHANGE WITHOUT NOTICE)

THIS DRAWING IS THE PROPERTY OF HUBBELL INC. WIEGMANN
ALL INFORMATION IS PROPRIETARY AND NOT TO BE DUPLICATED