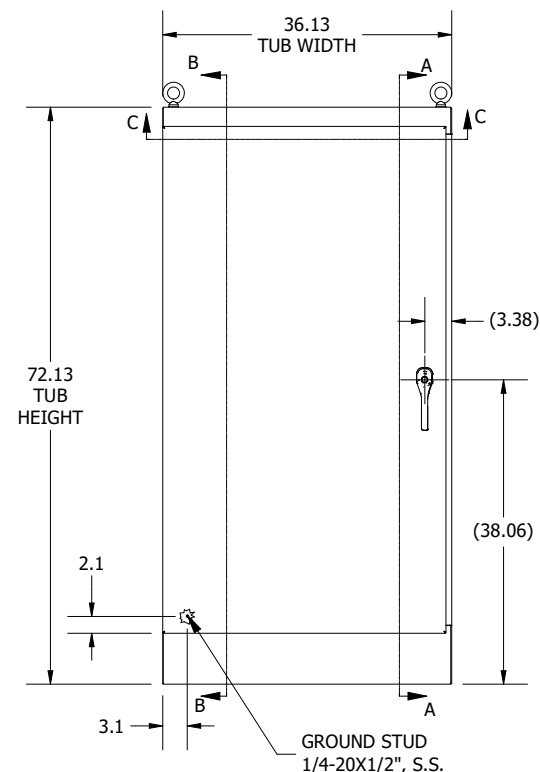
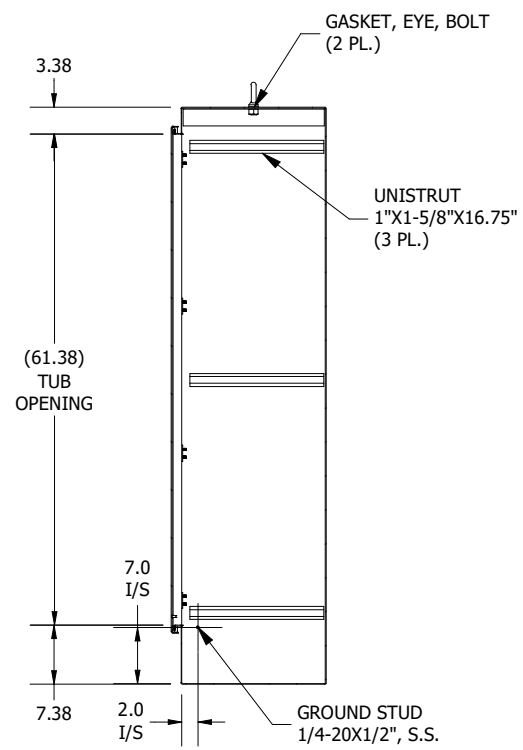


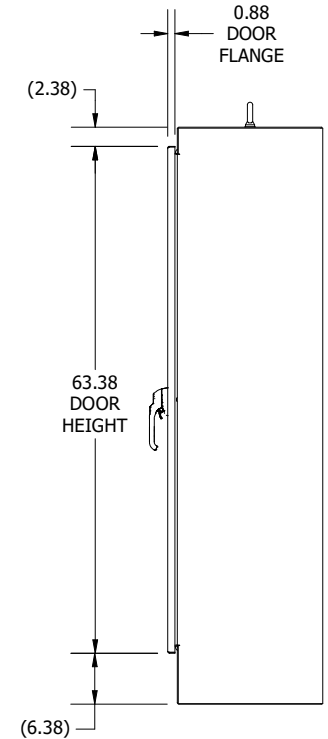
TOP VIEW



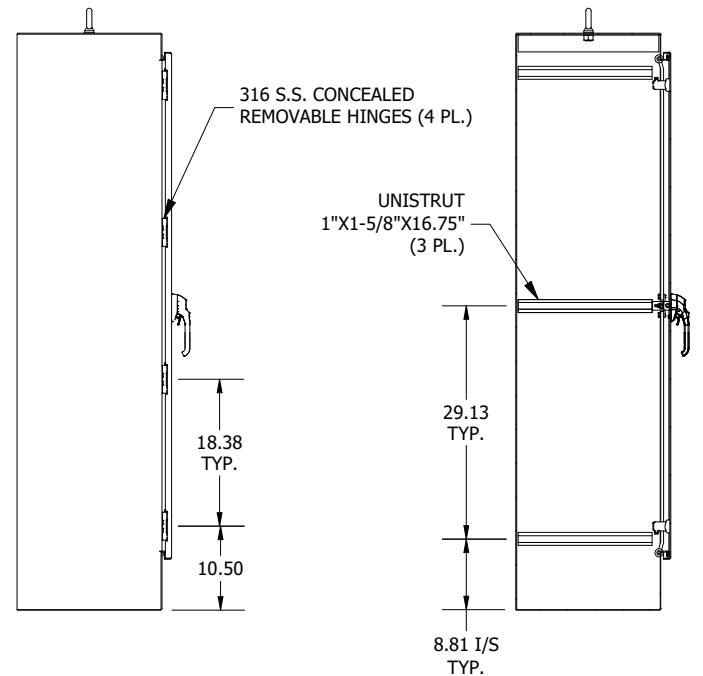
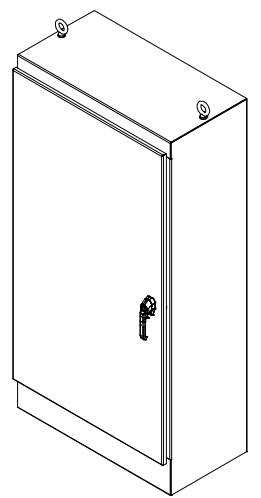
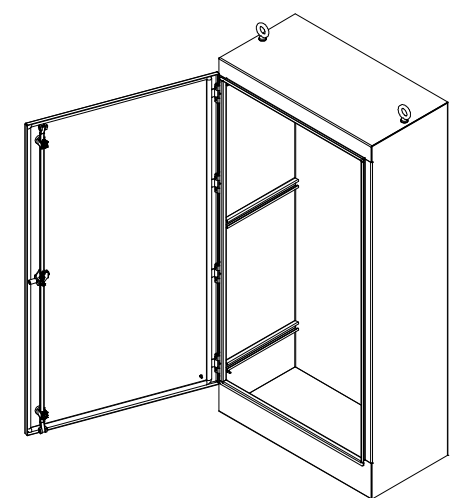
FRONT VIEW



**SECTION B-B
(INSIDE LEFT OF ENCL.)**

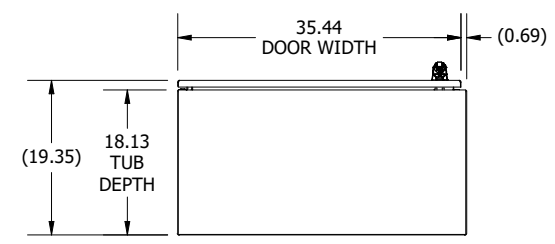


RIGHT SIDE VIEW

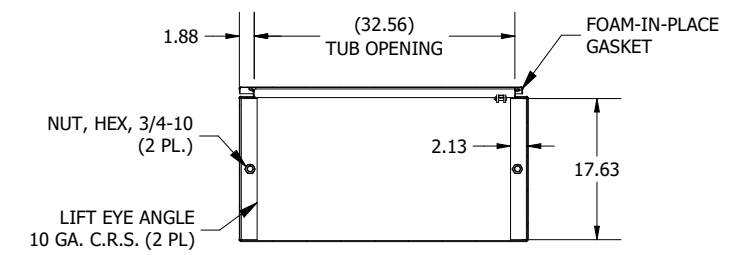


LEFT SIDE VIEW

**SECTION A-A
(INSIDE RIGHT OF ENCL.)**



BOTTOM VIEW



**SECTION C-C
(INSIDE TOP VIEW OF ENCLOSURE)**

PART #:WRD723618FS4
 (DATA SUBJECT TO CHANGE WITHOUT NOTICE)
 THIS DRAWING IS THE PROPERTY OF HUBBELL INC. WIEGMANN
 ALL INFORMATION IS PROPRIETARY AND NOT TO BE DUPLICATED