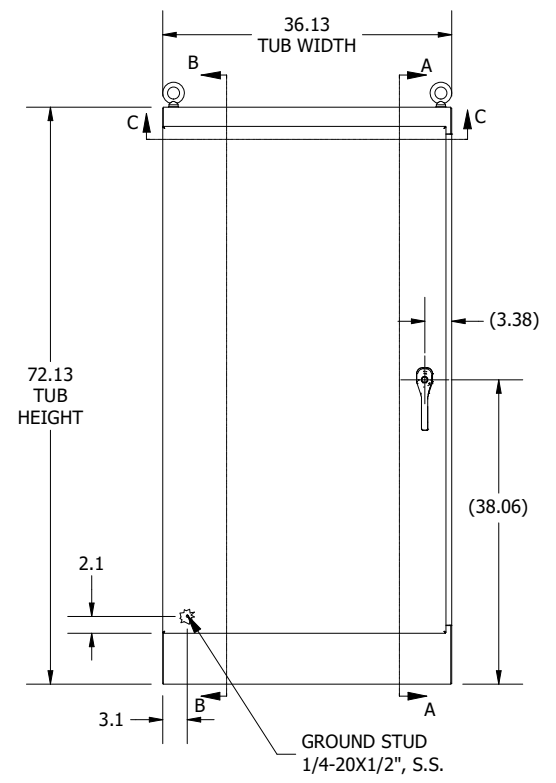
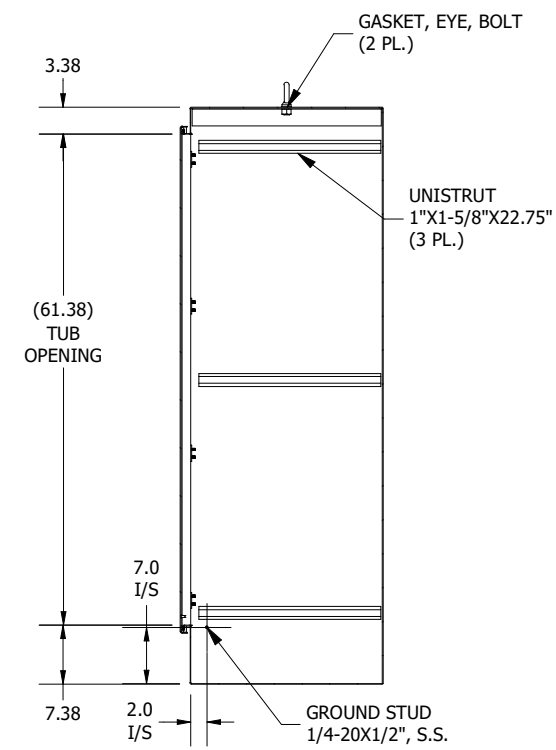


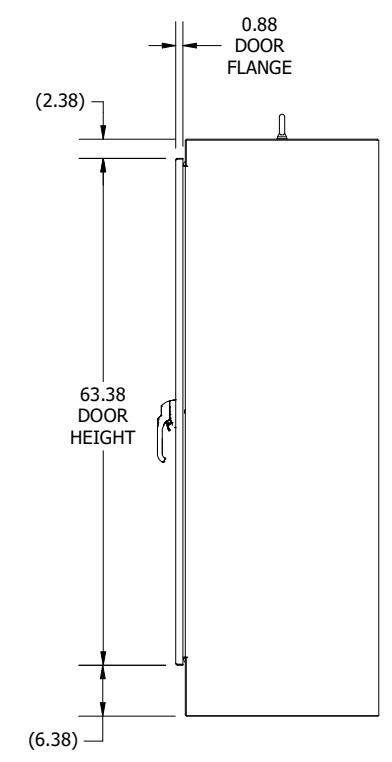
TOP VIEW



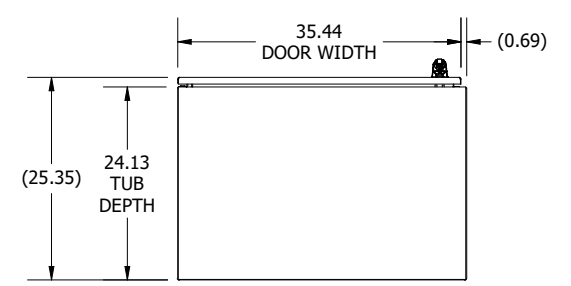
FRONT VIEW



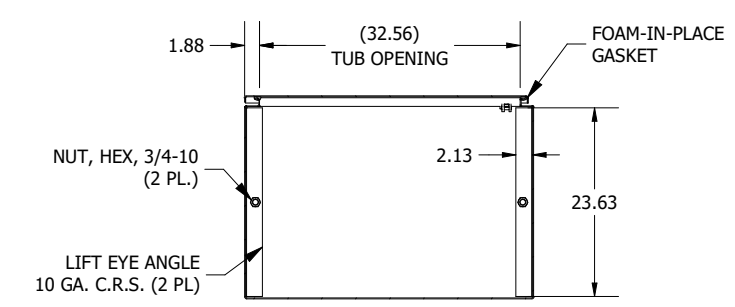
**SECTION B-B
(INSIDE LEFT OF ENCL.)**



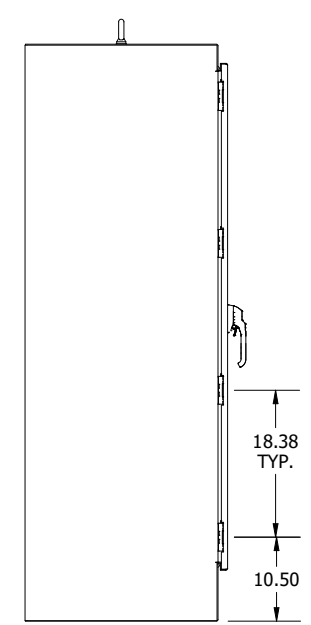
RIGHT SIDE VIEW



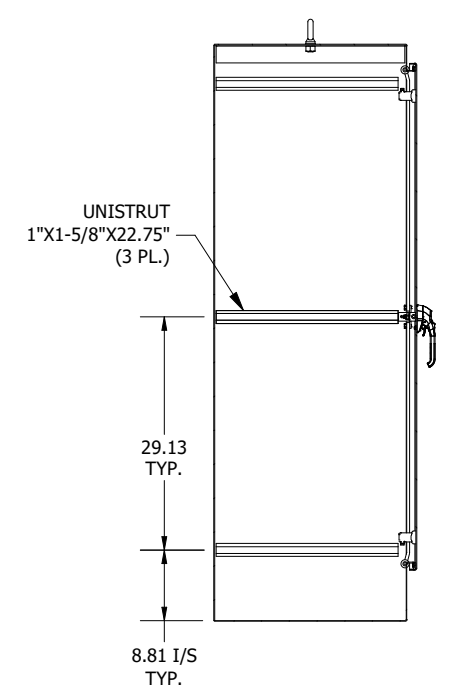
BOTTOM VIEW



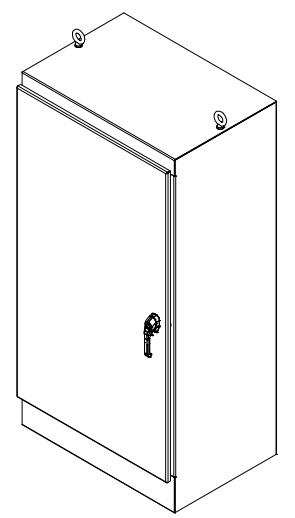
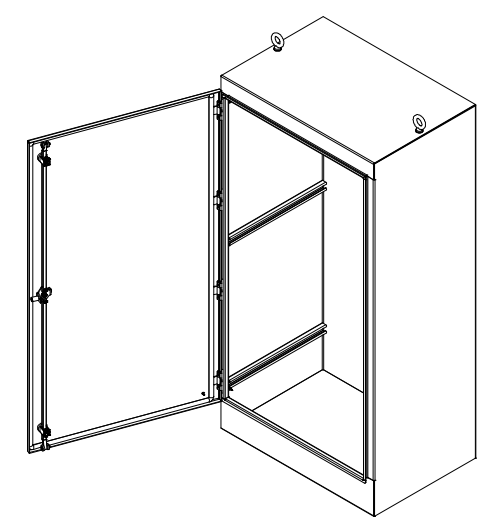
**SECTION C-C
(INSIDE TOP VIEW OF ENCLOSURE)**



LEFT SIDE VIEW



**SECTION A-A
(INSIDE RIGHT OF ENCL.)**



PART #:WRD723624FS4
(DATA SUBJECT TO CHANGE WITHOUT NOTICE)
THIS DRAWING IS THE PROPERTY OF HUBBELL INC. WIEGMANN
ALL INFORMATION IS PROPRIETARY AND NOT TO BE DUPLICATED