

BALDOR • RELIANCE

Customer information packet

VXM050722A

0.75HP, 3450RPM, 3PH, 60HZ, 56C, XPFC, F1

Class - CLI GP D; CLII GP F,G

Division - Division I

Specifications

Enclosure	XPFC
Frame	56C
Frame Material	Steel
Frequency	60.00 Hz
Haz Area Class and Group	CLI GP D; CLII GP F,G
Haz Area Division	Division I
Motor Letter Type	Three Phase
Output @ Frequency	.750 HP @ 60 HZ
Phase	3
Synchronous Speed @ Frequency	3600 RPM @ 60 HZ
Voltage @ Frequency	460.0 V @ 60 HZ 208.0 V @ 60 HZ 230.0 V @ 60 HZ
Agency Approvals	CSA UL
Ambient Temperature	40 °C
Auxillary Box	No Auxillary Box
Auxillary Box Lead Termination	None
Base Indicator	No Mounting
Bearing Grease Type	Polyrex EM (-20F +300F)
Blower	None
Current @ Voltage	1.300 A @ 460.0 V 2.600 A @ 230.0 V 2.700 A @ 208.0 V
Design Code	B
Drip Cover	No Drip Cover
Duty Rating	CONT
Efficiency @ 100% Load	75.0 %
Electrically Isolated Bearing	Not Electrically Isolated
Feedback Device	NO FEEDBACK
Haz Area Temp Code	T3C
Heater Indicator	No Heater

Part detail

Revision	D
Type	AC
Mech. spec.	
Base	
Status	PRD/A
Elec. spec.	34WG5722
Layout	34LY5336
Eff. date	05-01-2024
CD Diagram	CD0007
Poles	02
Leads	12#18
Proprietary	False
Created date	08-04-2020

High Voltage Full Load Amps	1.3 a
Insulation Class	B
Inverter Code	Not Inverter
IP Rating	NONE
KVA Code	K
Lifting Lugs	No Lifting Lugs
Locked Bearing Indicator	No Locked Bearing
Motor Lead Termination	Flying Leads
Motor Standards	NEMA
Motor Type	3413M
Mounting Arrangement	F1
Number of Poles	2
Overall Length	13.22 IN
Power Factor	73
Product Family	Hazardous Location Motor
Pulley Face Code	C-Face
Rodent Screen	None
Service Factor	1.00
Shaft Diameter	0.625 IN
Shaft Ground Indicator	No Shaft Grounding
Shaft Rotation	Reversible
Speed	3450 rpm
Speed Code	Single Speed
Starting Method	Direct on line
Thermal Device - Bearing	None
Thermal Device - Winding	None
Vibration Sensor Indicator	No Vibration Sensor
Winding Thermal 1	Automatic Thermal Overload
Winding Thermal 1 Location	EP
Winding Thermal 2	None

Nameplate

NP0016XPSL				
NO.		CC		
SER. #				
SPEC	34-0000-0385			
CAT.NO.	VXM050722A			
H.P.	.75	T. CODE	T3C	
VOLTS	208-230/460 34WG5722			
AMPS	2.7-2.6/1.3			
R.P.M.	3450 34WG5722			
HZ	60	PH	3	CLASS B
SER.F.	1.00	DES	B	CODE K
RATING	40C AMB-CONT			
FRAME	56C	NEMA NOM. EFF	75	
	PF	73		
BLANK	NEMA MG-1 PART 5, IP54			

AC Induction Motor Performance Data

Record # 6819

Typical performance - not guaranteed values

Winding: 34WG5722-R001		Type: 3413M	Enclosure: XPFC		
Nameplate Data			460 V, 60 Hz: High Voltage Connection		
Rated Output (HP)	.75	Full Load Torque	1.2 LB-FT		
Volts	208-230/460	Start Configuration	direct on line		
Full Load Amps	2.7-2.6/1.3	Breakdown Torque	4.8 LB-FT		
R.P.M.	3450	Pull-up Torque	3.5 LB-FT		
Hz	60 Phase	3	Locked-rotor Torque	3.9 LB-FT	
NEMA Design Code	B	KVA Code	K	Starting Current	7.6 A
Service Factor (S.F.)			1	No-load Current	0.85 A
NEMA Nom. Eff.	75	Power Factor	73	Line-line Res. @ 25°C	24.6 Ω
Rating - Duty		40C AMB-CONT		Temp. Rise @ Rated Load	64°C

Load Characteristics 460 V, 60 Hz, 0.75 HP

% of Rated Load	25	50	75	100	125	150
Power Factor	39	58	67	78	82	84
Efficiency	57.7	70.6	73.6	75.1	74.7	74
Speed	3553	3518	3481	3440	3395	3344
Line amperes	0.95	1.02	1.12	1.33	1.5	1.62

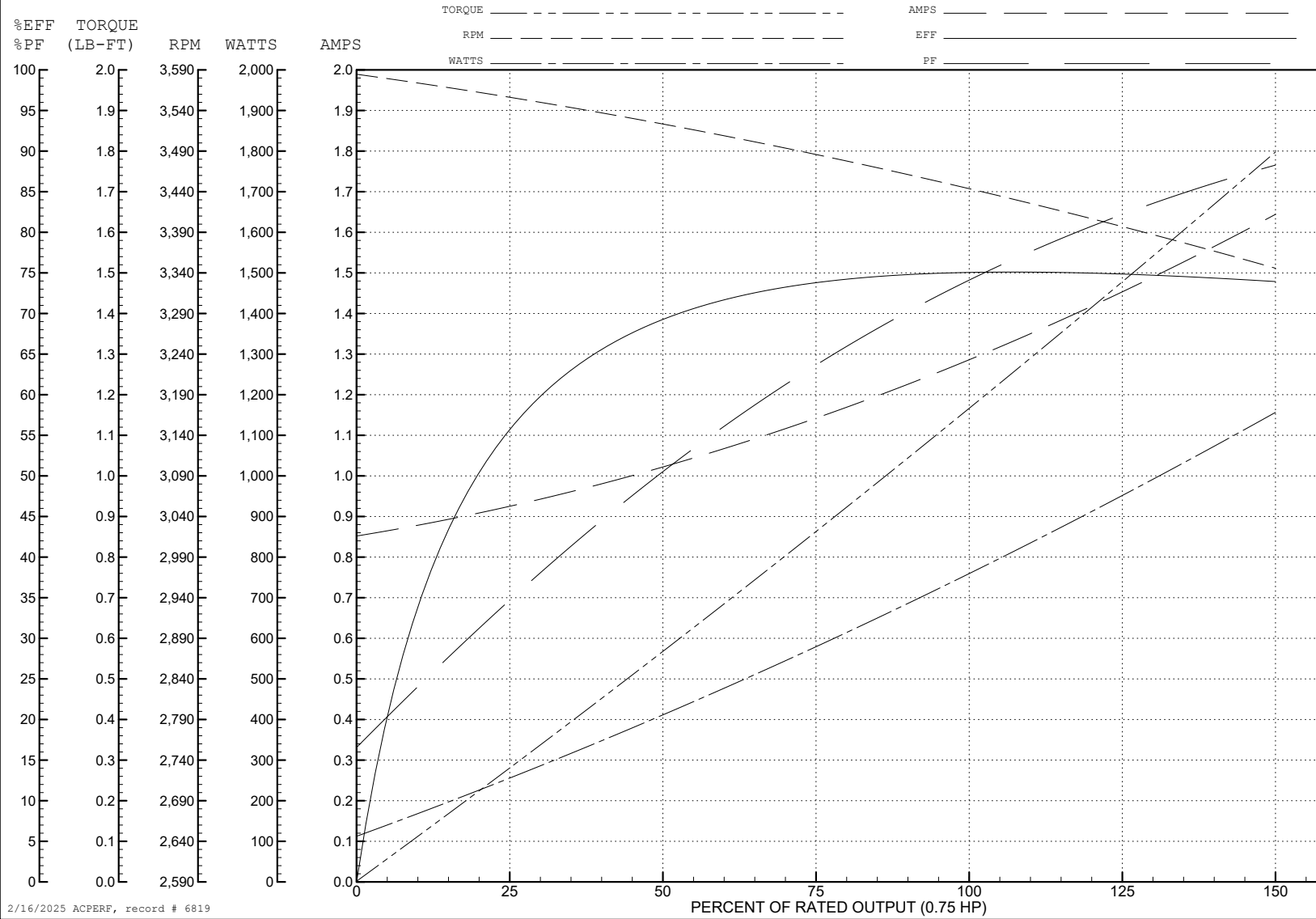
ABB Motors and Mechanical Inc.

WINDING # 34WG5722

0.75 HP 3 PH 60 HZ 3450 RPM 460 V 3413M

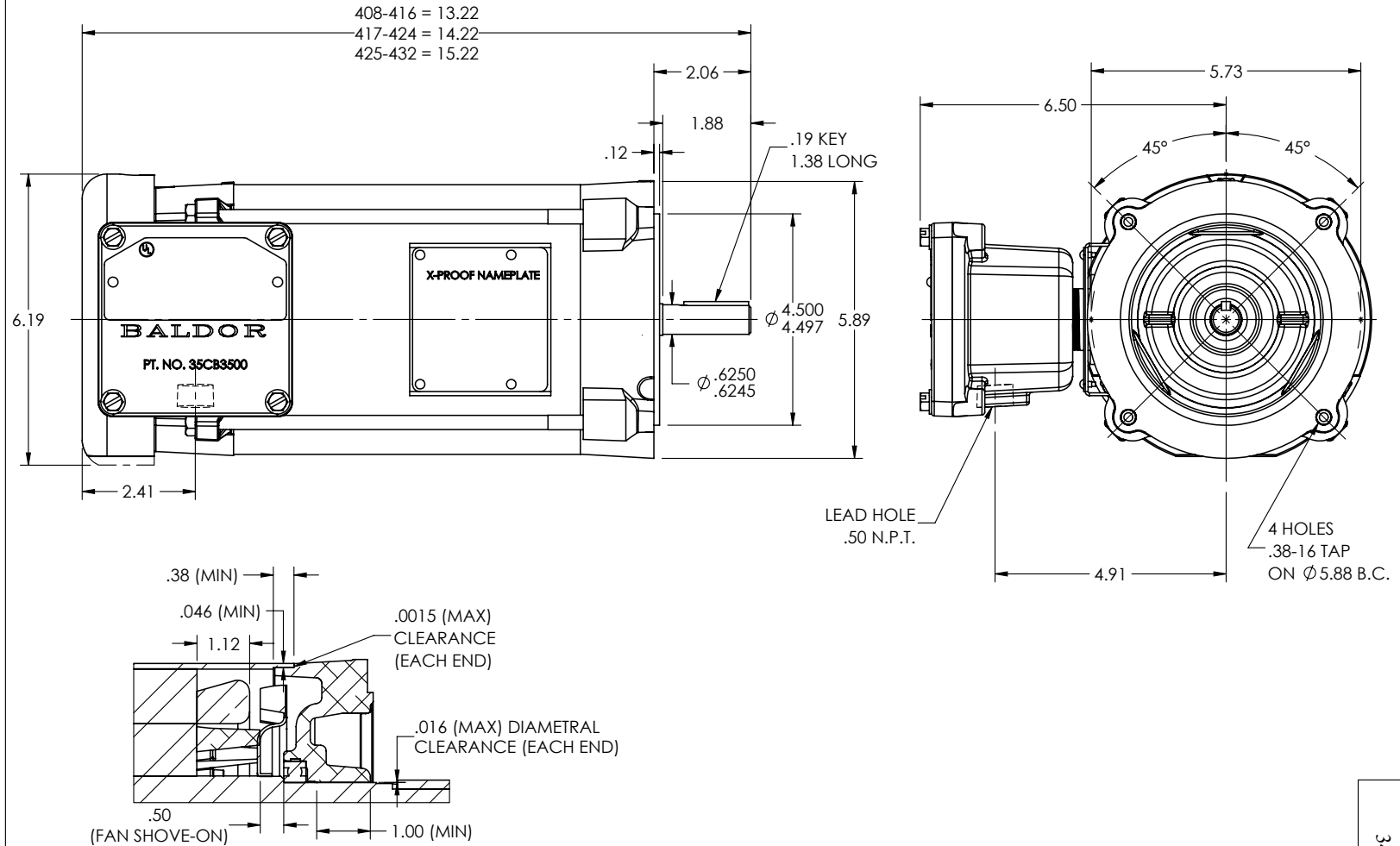
Typical performance - not guaranteed values.

TORQUES (LB-FT): PO=4.8 PU=3.5 LR=3.9 LRA=7.6



2/16/2025 ACPERF, record # 6819

34LY5336



PULLEY END DETAIL

CUSTOMER IS RESPONSIBLE FOR DETERMINING THAT THE PRODUCT WILL PERFORM SUITABLY IN THE INTENDED APPLICATION

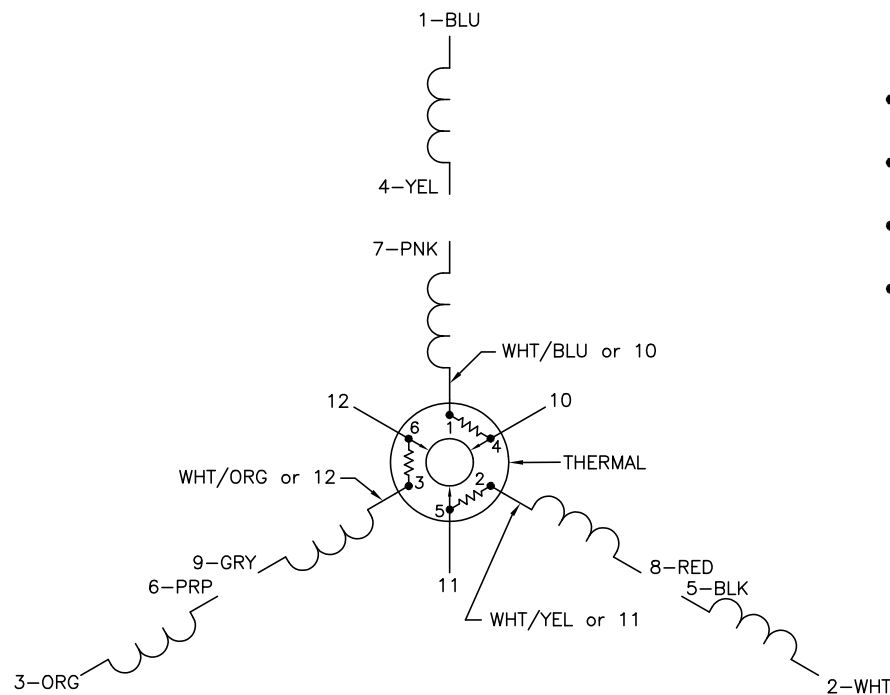
REV. DESC: LOAD TO SOLIDWORKS - REV K			
REV: L	VERSION: 08	REVISED: 08:27:57 04/05/2023	TDR: 000001201165
9ƎƎƎƎƎƎ		MODEL NO. 34LY5336	REF: -
		BY: ENFRAJ0	

BALDOR - RELIANCE®

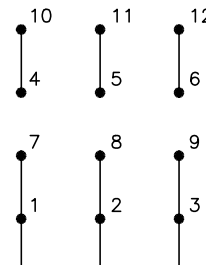
STD VERT X34M NEMA 56C TEFC W/ATO CL1 GP D, CL2 GP F & G

34LY5336

CD0007

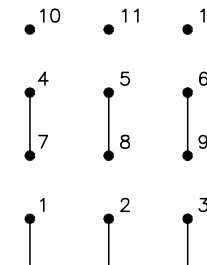


LOW VOLTAGE
(2Y)



LINE

HIGH VOLTAGE
(1Y)



LINE

NOTES:

1. INTERCHANGE ANY TWO LINE LEADS TO REVERSE ROTATION.
2. ACTUAL NUMBER OF INTERNAL PARALLEL CIRCUITS MAY VARY.
3. LEAD COLORS ARE OPTIONAL. LEADS MUST ALWAYS BE NUMBERED AS SHOWN.

CD0007

REV. DESC: ADDED "CK" PLANT CODE			
REV. LTR: E	BY: EAH	REVISED: 05/06/99 17:1	TDR: 0181040
L00000		FILE: AAA00008370	MDL: -
		MTL: -	

BALDOR ELECTRIC Co.

3PH, DV, THERMAL, 12 LEADS