

BALDOR • RELIANCE

Customer information packet

D50150P2-BV

407AT, 150HP, 1750RPM, 500, 150, DPBV, F1

Copyright © All product information within this document is subject to ABB Motors and Mechanical Inc. copyright © protection, unless otherwise noted.

4/7/2025 9:37:13 AM

Specifications

Enclosure	DPBV
Frame	407AT
Frame Material	Steel
Output Power	150.000 HP
Agency Approvals	CSA
Ambient Temperature	40 °C
Bearing Grease Type	Polyrex EM (-20F +300F)
Drip Cover	No Drip Cover
Feedback Device	NO FEEDBACK
Field Winding Type	STR. SHUNT
Heater Indicator	No Heater
Lifting Lugs	Standard Lifting Lugs
Motor Standards	NEMA
Mounting Arrangement	F1
Overall Length	40.13 IN
Shaft Extension Location	Pulley End
Shaft Ground Indicator	No Shaft Grounding
Shaft Slinger Indicator	No Slinger

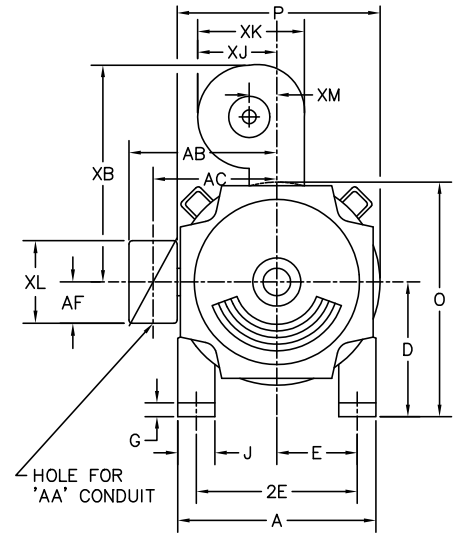
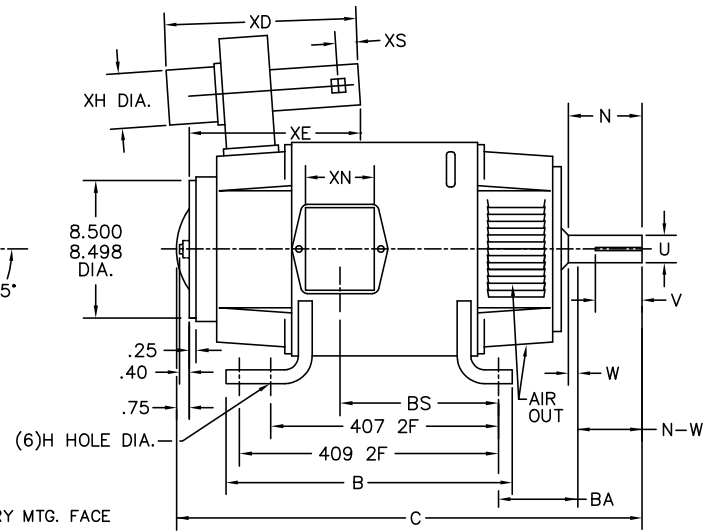
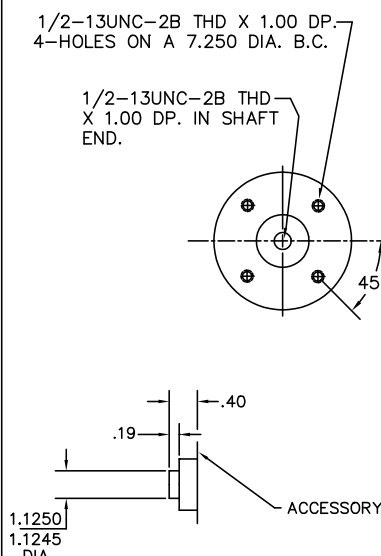
Part detail

Revision	C
Type	DC
Mech. spec.	
Base	
Status	PRD/A
Elec. spec.	K0107A B
Layout	2340
Eff. date	03-07-2022
CD Diagram	15209
Poles	00
Leads	
Proprietary	False
Created date	04-09-2015

Nameplate

NP1734					
CAT.NO.		MODEL	T40R8003		
HP	150	RPM	1750/2000	FRAME	0407AT
ARM V	500	ARM A	238.00	WOUND	STR. SHUNT
FLD V	150/300	FLD A	8.10-5.40/4.05-2.70		
CONN		OHMS		CL	F
ENCL	DPBV	DUTY	CONT	MX AMB	40
P CODE	C	CTSR		SER.F.	1.0
S/N		E/S	K0107A B		
	BRUSH:40019-3				
O.D.E. BRG.	6213	D.E. BRG.	6214	BRUSH	QTY

2340



FRAME	FOOT MOUNTING							D.E. SHAFT EXTENSION					DRIVE KEY		FRAME					
	BA	E	407 2F	409 2F	G	H	J	N	N-W	U	V	W	KEY-SQ.	KEY-LONG	A	B	C	D	O	P
407-9AT	6.63	8.00	18.00	22.00	.81	.938	4.00	5.44	5.25	2.625 ¹	5.00 ⁴	.19	.625	4.00	20.00	24.00	40.13	10.00 ³	20.19	20.38

FRAME	CONDUIT BOX							BLOWER								APPROXIMATE WEIGHT	
	AA	AB	AC	AF	BS	XL	XN	SIZE	XB	XD	XE	XH	XM	XJ	XK		XS
407-9AT	3	18.28	14.45	3.34	14.50	11.63	7.76	6	19.63	26.38	19.13	10.25	4.19	9.44	11.50	3.75	1355

- 1) SHAFT DIAMETERS ABOVE 1.500 TOLERANCE +.0000 -.0010
- 2) SHAFT DIAMETERS ABOVE 1.625 RUNOUT .003 T.I.R. MAX.
- 3) 'D' DIMENSION TOLERANCE +.000 - .060
- 4) 'V' DIMENSION IS MAX. HUB LENGTH ON SHAFT
- 5) CONDUIT BOX CAN BE ROTATED IN 90° STEPS ON ITS OWN AXIS.
- 6) ALL DIMENSIONS NOT NOTED ARE NOMINAL DIMENSIONS CONSULT FACTORY FOR TOLERANCES.

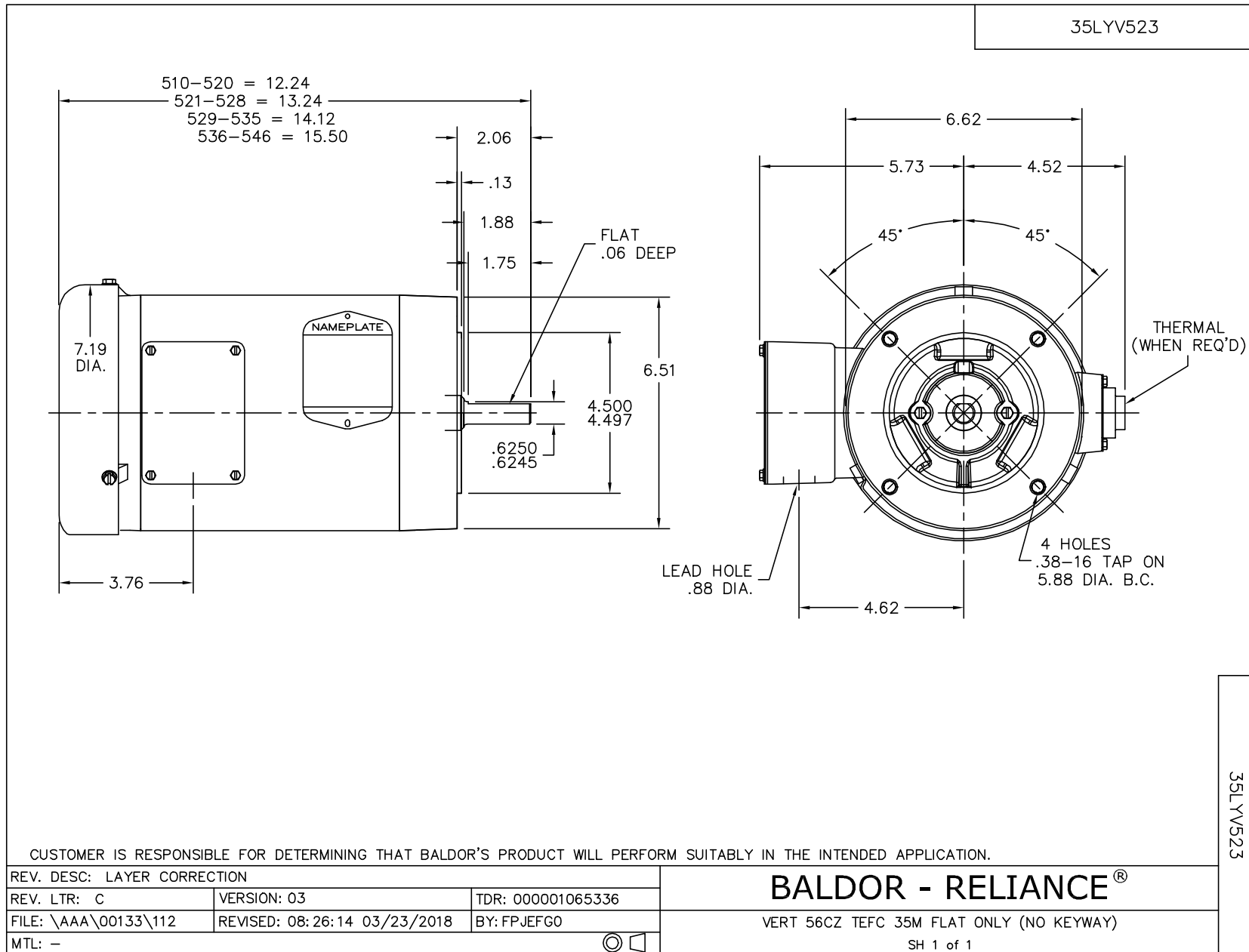
FOR F1 OR F2 CONDUIT BOX LOCATION SEE SALES ORDER

2340

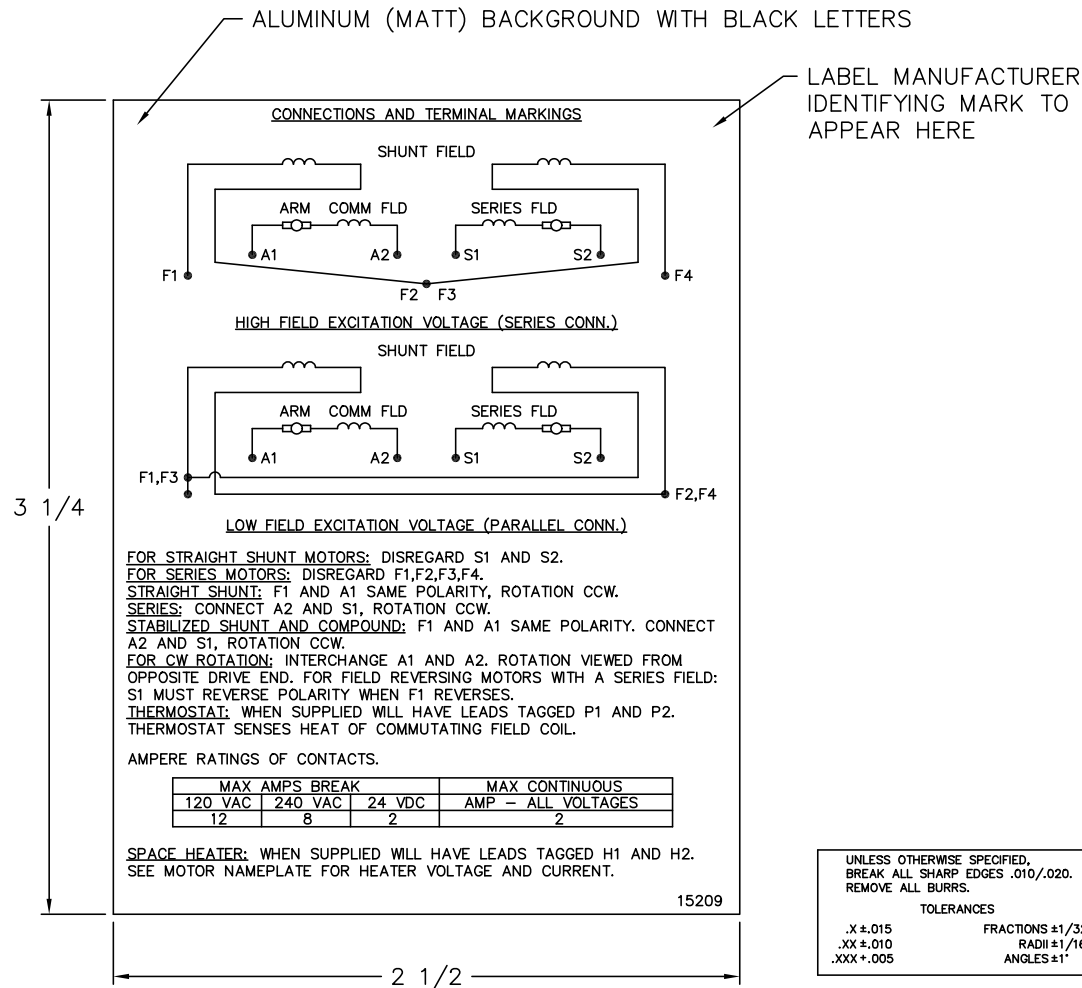
MATL: -	REV: -	NEW LOAD	SCALE: -	BY: RRL	REVISED: 01/27/98
0727		FILE: CHB00005828	TDR: 0127363		

BALDOR ELECTRIC Co.

DIM SHEET, 407-9AT, DPBV, WITH 407 AND 409 MOUNTING



15209



NOTE:
 MATERIAL .005 MINIMUM FULL HARD ALUMINUM DULL FINISH.
 TEMP. RANGE -20°C TO +125°C MAXIMUM.
 FOR INDOOR AND OUTDOOR MOUNTING BACK.
 METAL, PRESSURE SENSITIVE BACK. MUST MEET CSA STANDARD.
 THE CSA IDENTIFYING MARK OF THE LABEL MANUFACTURER MUST APPEAR IN THE UPPER RIGHT HAND CORNER AS INDICATED.

UNLESS OTHERWISE SPECIFIED, BREAK ALL SHARP EDGES .010/.020. REMOVE ALL BURRS.

TOLERANCES

.X ±.015 FRACTIONS ±1/32
 .XX ±.010 RADII ±1/16
 .XXX ±.005 ANGLES ±1°

15209

MATL: NOTED			
REV:	G	CHANGE ALL "NAMEPLATE" TEXT TO "LABEL"	
60Z91		SCALE: -	BY: BKW
		FILE: CHB00002485	REVISED: 02/19/97
		TDR: 0115147	

BALDOR ELECTRIC Co.

LABEL, CONNECTIONS AND TERMINAL MARKINGS DC