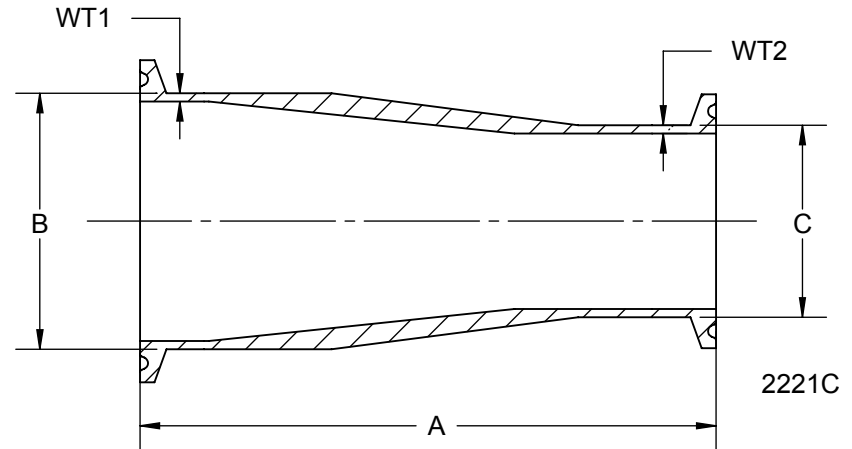
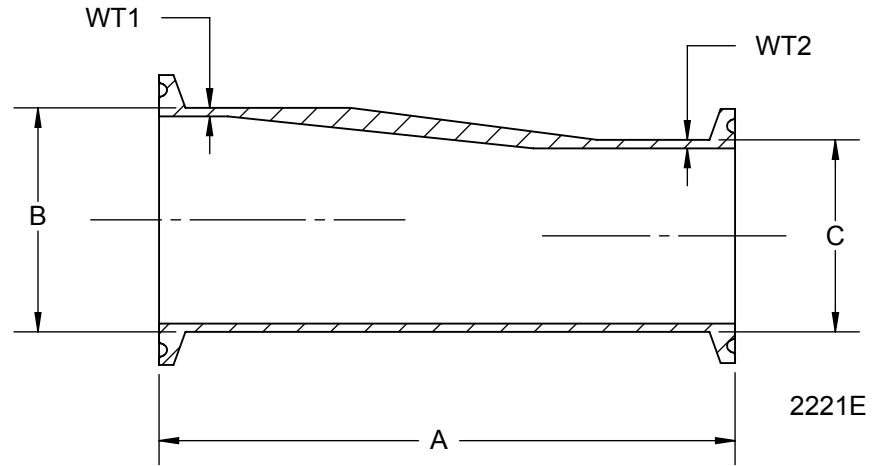


SIZE	A	B	WT1	C	WT2
3/4 x 1/2	3.125	0.750	0.065	0.500	0.065
1 x 1/2	3.500	1.000	0.065	0.500	0.065
1 x 3/4	3.125	1.000	0.065	0.750	0.065
1-1/2 x 3/4	4.000	1.500	0.065	0.750	0.065
1-1/2 x 1	3.500	1.500	0.065	1.000	0.065
2 x 1	4.375	2.000	0.065	1.000	0.065
2 x 1-1/2	3.500	2.000	0.065	1.500	0.065
2-1/2 x 1-1/2	4.375	2.500	0.065	1.500	0.065
2-1/2 x 2	3.500	2.500	0.065	2.000	0.065
3 x 1-1/2	5.250	3.000	0.065	1.500	0.065
3 x 2	4.375	3.000	0.065	2.000	0.065
3 x 2-1/2	3.625	3.000	0.065	2.500	0.065
4 x 2	6.250	4.000	0.083	2.000	0.065
4 x 2-1/2	5.375	4.000	0.083	2.500	0.065
4 x 3	5.000	4.000	0.083	3.000	0.065



NOTE: DIMENSIONS FOLLOW ASME BPE-2016



DIXON SANITARY

N25 W23040 PAUL RD
PEWAUKEE, WI 53072
(800) 789-1718

PART NUMBER:

2221C / 2221E

DESCRIPTION:

BPE CLAMP X CLAMP REDUCERS

THIS DRAWING AND THE INFORMATION CONTAINED THERE ON IS THE EXCLUSIVE PROPERTY OF DIXON SANITARY AND MAY NOT BE COPIED OR MODIFIED WITHOUT OBTAINING WRITTEN PERMISSION

SIZE:
A

DRAWN BY: MR

FINISH: SF1 / SF4

UNITS: IN

DATE: 12/14/2017

SCALE: NTS

SHEET: 1 OF 1