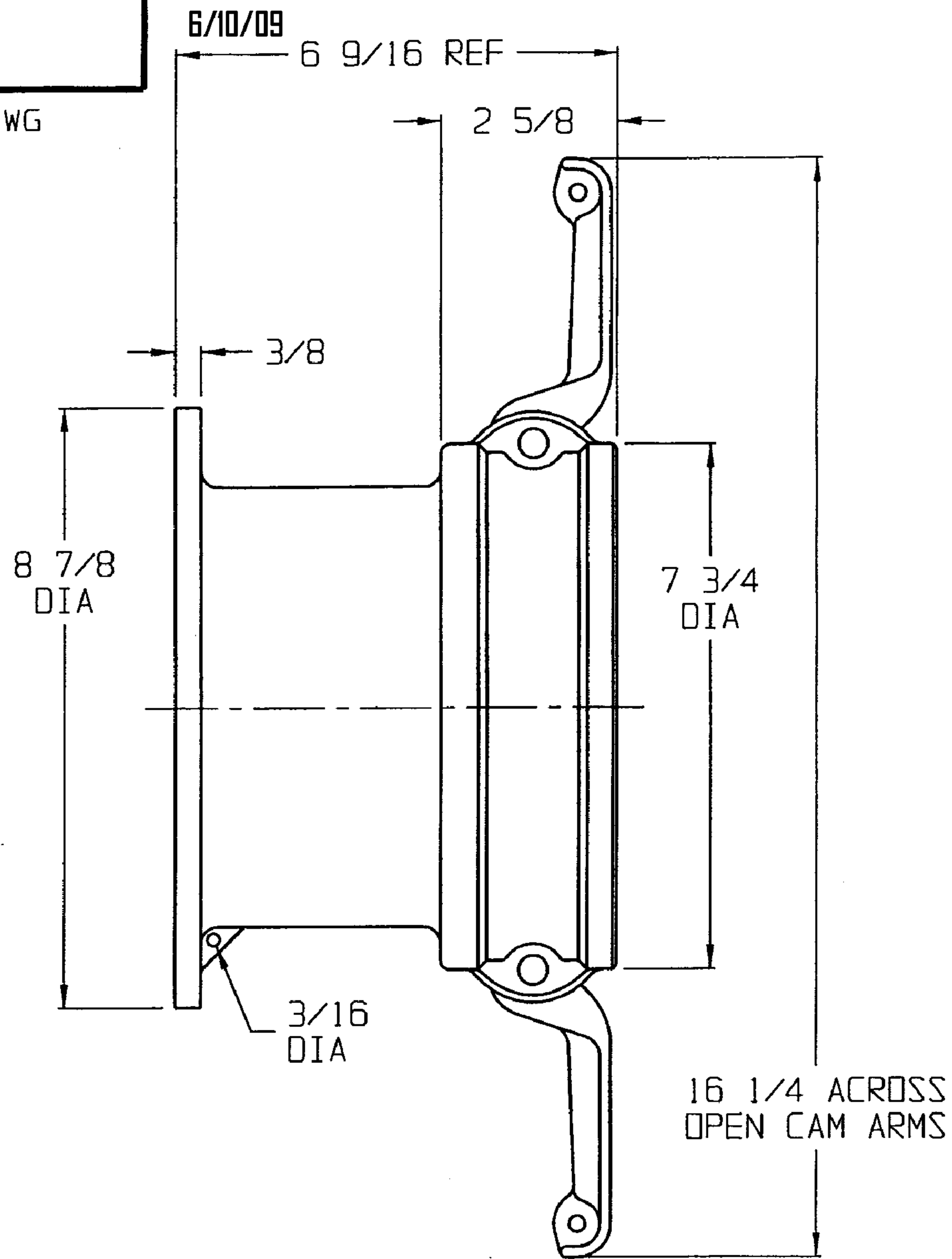
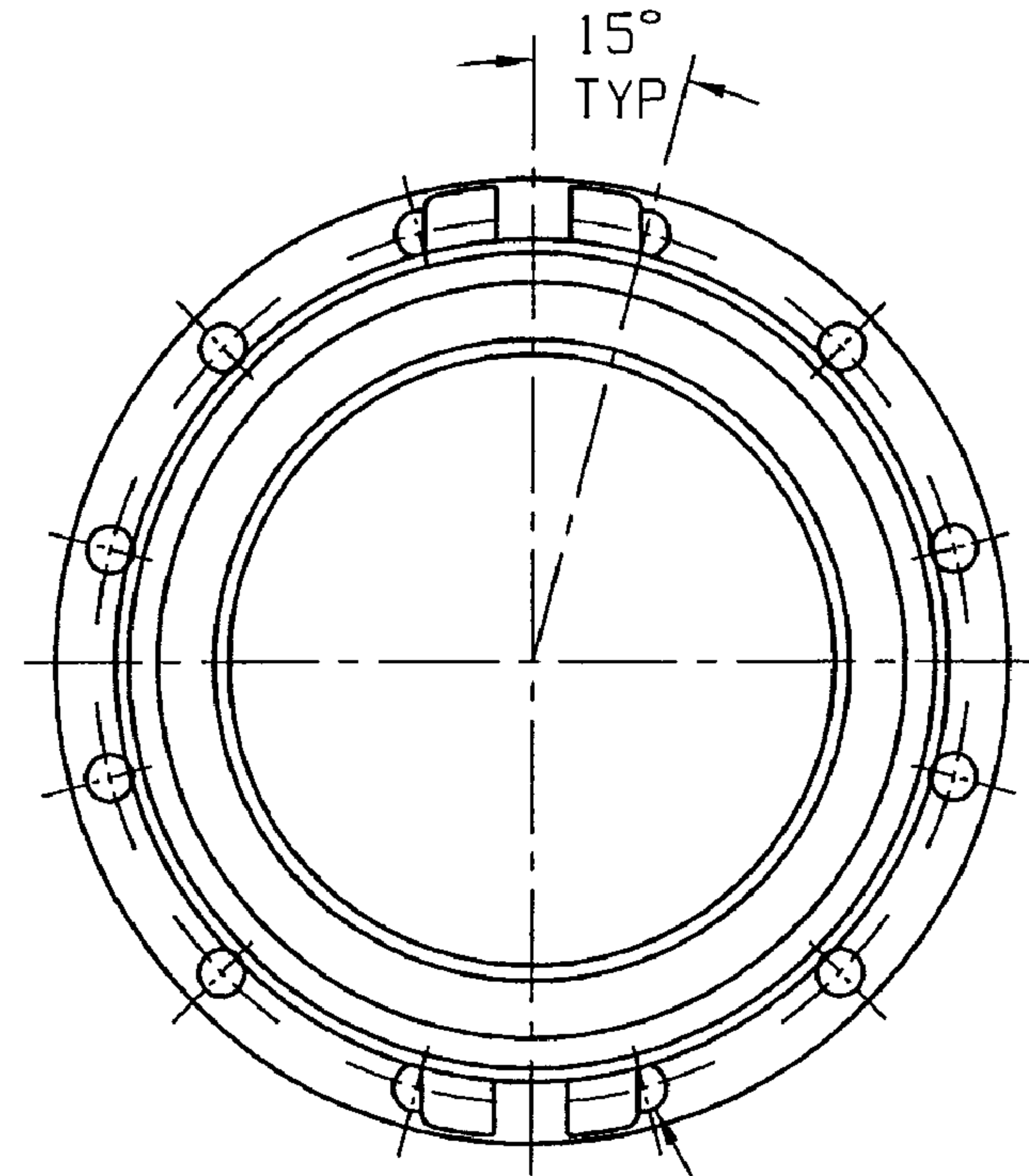


2595

CUSTOMER DWG



600-DLT-AL



7/16 DIA THRU TYP 12 HOLES EQUALLY SPACED ON A 8 1/8 DIA BOLT CIRCLE

CUSTOMER DWG

AGREEMENT TO MAINTAIN CONFIDENTIALITY

This drawing is owned by Dixon Valve & Coupling Co. and shall be returned upon demand. It is loaned on condition that it shall not be copied or reproduced or submitted to others without the owners consent. In accepting it subject to this condition the recipient further agrees that this drawing or any design detail or concept disclosed herein shall not be used in any way detrimental to or in competition with the Owner. If the recipient does not agree to the terms of this agreement, they shall return this drawing immediately.



DIXON VALVE & COUPLING CO.
U. S. A.

TITLE
6" COUPLER x TANK TRUCK FLANGE

| | | |
|---------------------------------|-------------------------------|-----------------------------|
| DRAWN BY: KRISTY 09/25/01 | CHECKED BY: MDS 9-26-01 | APPROVAL: JFB 9/26/01 |
|---------------------------------|-------------------------------|-----------------------------|

MAT'L
ALUMINUM

2595