



**The Timken Company**

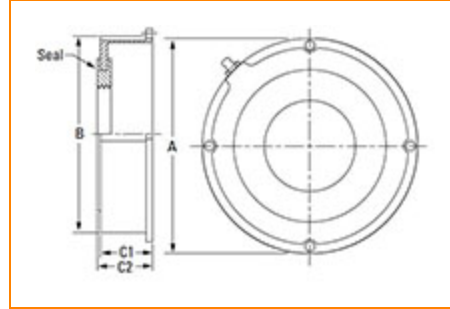
4500 Mt Pleasant St. NW

N. Canton, OH 44720

**Phone:** (234) 262-3000

**E-Mail:** [CustomerCAD@timken.com](mailto:CustomerCAD@timken.com) • **Web site:** [www.timken.com](http://www.timken.com)

## Part Number CVDR12-055MM, Urethane Open End Cover with DR Seal



[Specifications](#) | [Dimensions](#)

### Specifications

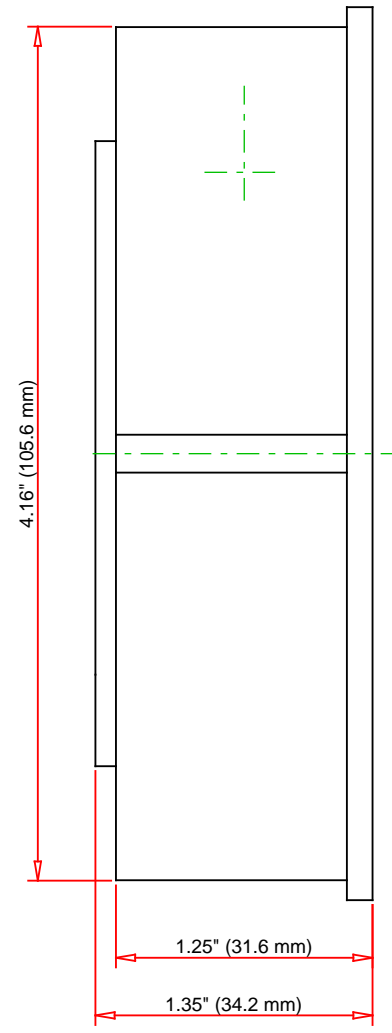
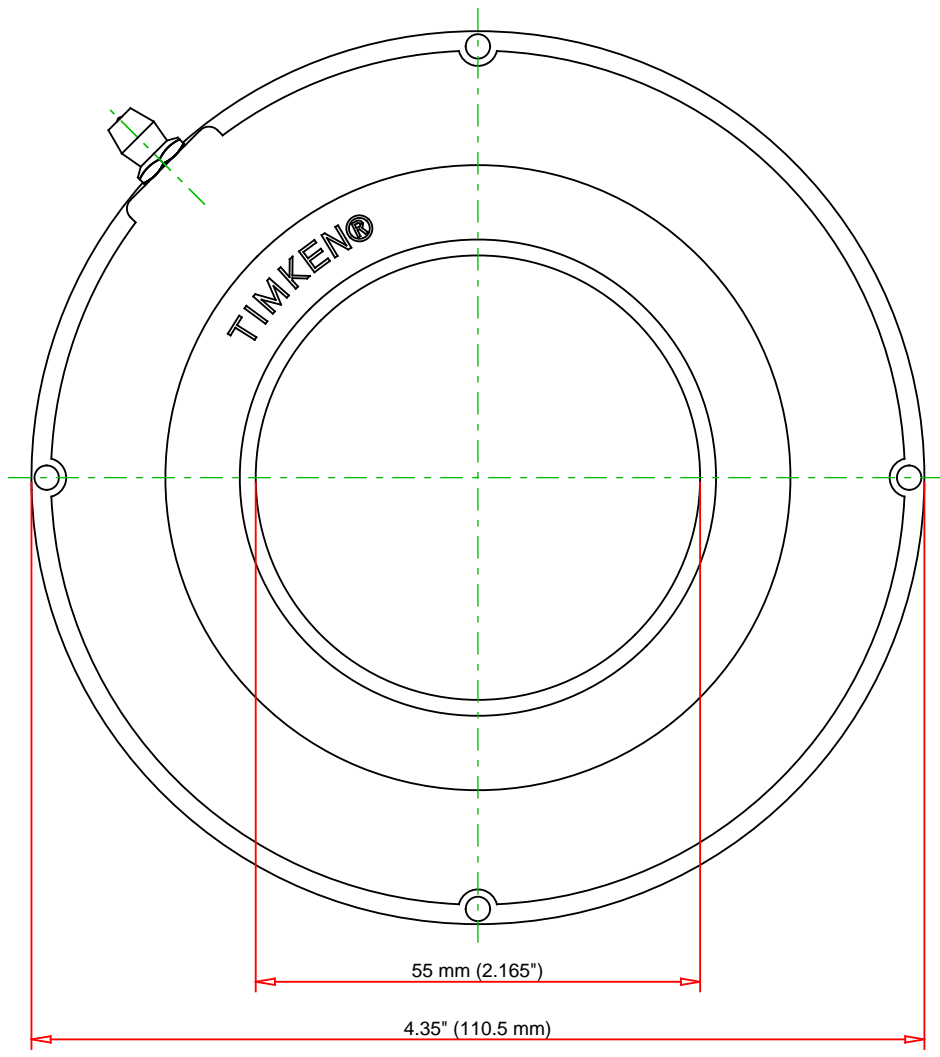
<b>Type</b>	Open
<b>Shaft Size</b>	55 mm
<b>Number of Bolts</b>	4

### Dimensions

<b>Dimension A</b>	4.35 in 110.5 mm
<b>Dimension B</b>	4.16 in 105.6 mm
<b>Dimension C1</b>	1.25 in 31.6 mm
<b>Dimension C2</b>	1.35 in 34.2 mm







IMPERIAL UNITS

**TIMKEN**

THE TIMKEN COMPANY  
NORTH CANTON, OHIO USA

**CVDR12-055MM**

Urethane Open End Cover with DR Seal

Every reasonable effort has been made to ensure the accuracy of the information contained in this writing, but no liability is accepted for errors, omissions or for any other reason.

**FOR DISCUSSION ONLY**