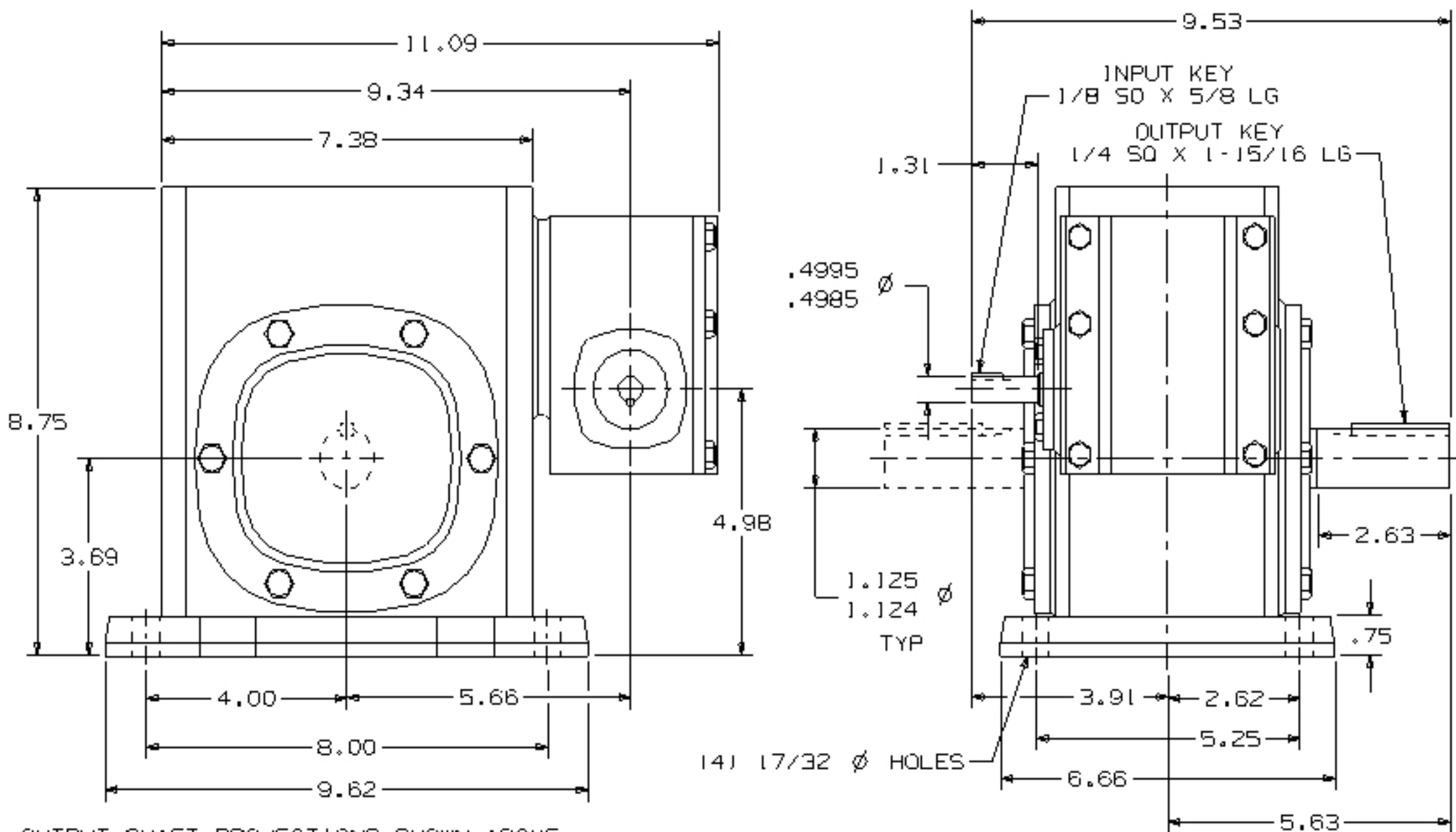


BOSTON GEAR®

WA726B OUTLINE DWG



OUTPUT SHAFT PROJECTIONS SHOWN ABOVE

- FOR "G" ASSEMBLY - OUTPUT SHAFT SHOWN BY SOLID LINES
- FOR "H" ASSEMBLY - OUTPUT SHAFT SHOWN BY SOLID AND DOTTED LINES
- FOR "J" ASSEMBLY - OUTPUT SHOWN BY DOTTED LINES

DIMENSIONS TO ROUGH
CASTINGS ARE APPROXIMATE

THIS DRAWING IS THE PROPERTY OF BOSTON GEAR DIV., AND MUST NOT BE USED IN ANY MANNER DETRIMENTAL TO THE INTERESTS OF THE COMPANY.