

BALDOR • RELIANCE

Customer information packet

09P011Y238G11

15HP, 2920RPM, 3PH, 50HZ, 254T, 0940M, TEFC, F1

Class - None

Division - Not Applicable

Copyright © All product information within this document is subject to ABB Motors and Mechanical Inc. copyright © protection, unless otherwise noted.

2/16/2025 9:06:02 PM

Specifications

Enclosure	TEFC
Frame	254T
Frame Material	Iron
Frequency	50.00 Hz
Haz Area Class and Group	None
Haz Area Division	Not Applicable
Motor Letter Type	Three Phase
Output @ Frequency	15.000 HP @ 50 HZ
Phase	3
Synchronous Speed @ Frequency	3000 RPM @ 50 HZ
Voltage @ Frequency	400.0 V @ 50 HZ
Agency Approvals	UR CSA
Ambient Temperature	40 °C
Auxillary Box	No Auxillary Box
Auxillary Box Lead Termination	None
Base Indicator	Rigid
Bearing Grease Type	Polyrex EM (-20F +300F)
Blower	None
Current @ Voltage	20.300 A @ 400.0 V
Design Code	A
Drip Cover	No Drip Cover
Duty Rating	CONT
Efficiency @ 100% Load	91.7 %
Electrically Isolated Bearing	Not Electrically Isolated
Feedback Device	NO FEEDBACK
Front Face Code	Standard
Front Shaft Indicator	None
Heater Indicator	No Heater
High Voltage Full Load Amps	20.3 a
Insulation Class	H
Inverter Code	Not Inverter

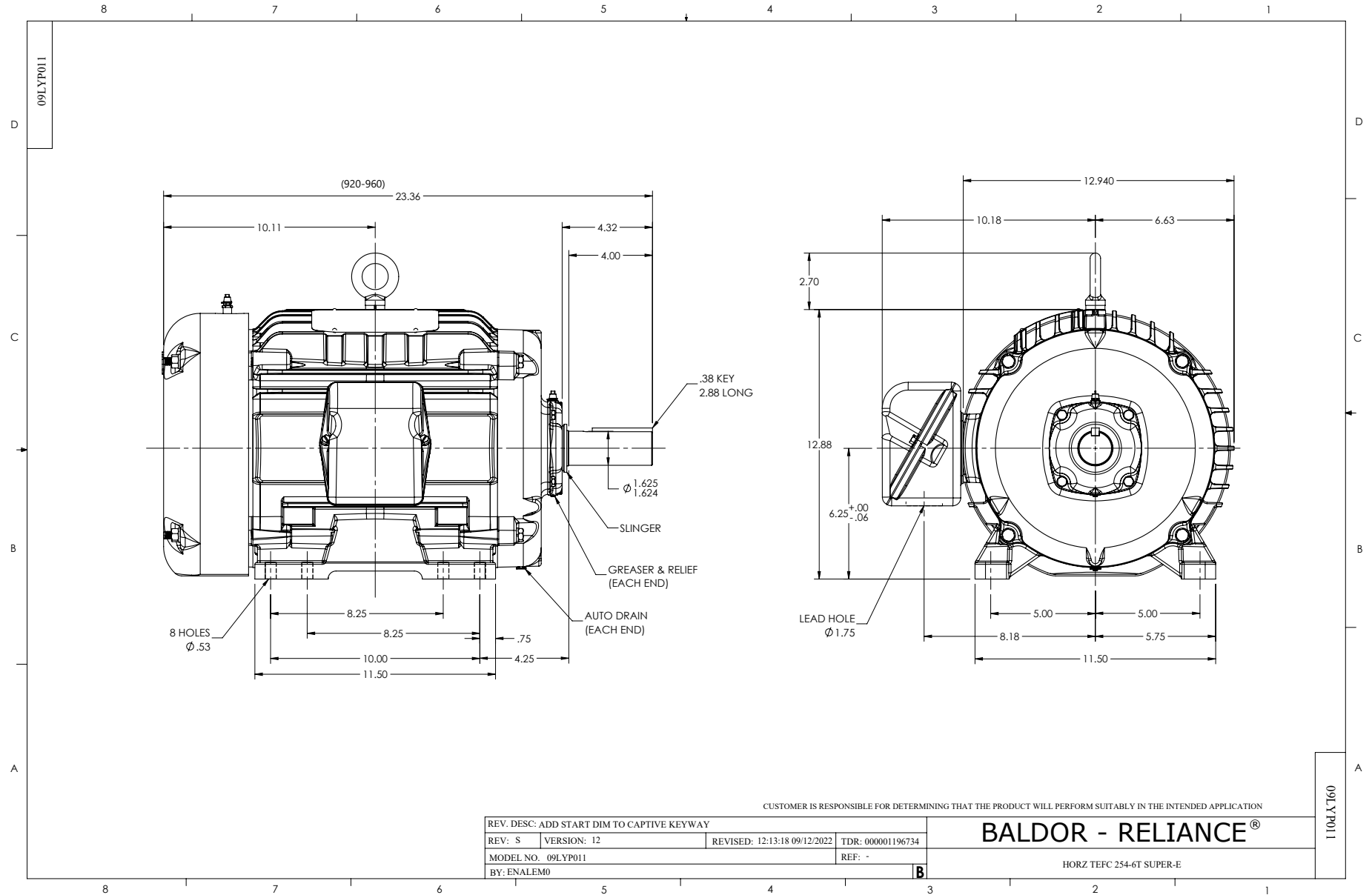
Part detail

Revision	Z
Type	AC
Mech. spec.	09P11
Base	
Status	PRD/A
Elec. spec.	09WGY238
Layout	09LYP011
Eff. date	02-14-2024
CD Diagram	CD0006
Poles	02
Leads	3#12
Proprietary	False
Created date	10-20-2015

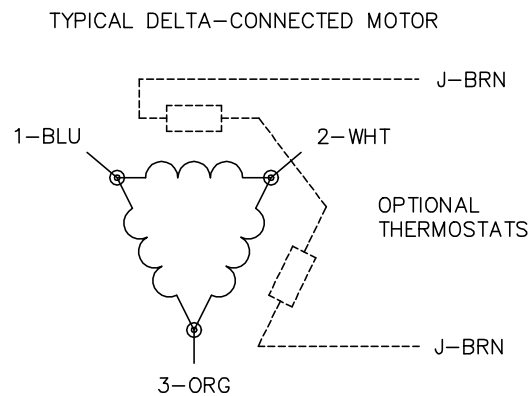
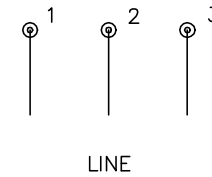
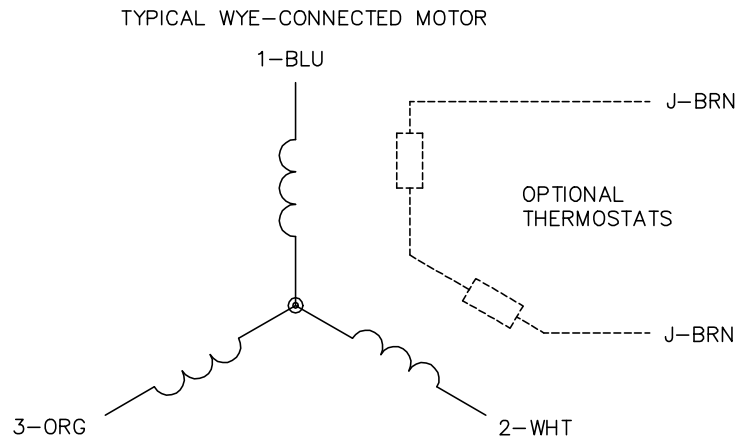
KVA Code	J
Lifting Lugs	Standard Lifting Lugs
Locked Bearing Indicator	Locked Bearing
Motor Lead Exit	Ko Box
Motor Lead Quantity/Wire Size	3 @ 12 AWG
Motor Lead Termination	Flying Leads
Motor Standards	NEMA
Motor Type	0940M
Mounting Arrangement	F1
Number of Poles	2
Overall Length	23.28 IN
Power Factor	91
Product Family	General Purpose
Pulley End Bearing Type	Ball
Pulley Face Code	Standard
Pulley Shaft Indicator	Standard
Rodent Screen	None
Service Factor	1.15
Shaft Diameter	1.625 IN
Shaft Extension Location	Pulley End
Shaft Ground Indicator	No Shaft Grounding
Shaft Rotation	Reversible
Shaft Slinger Indicator	Shaft Slinger
Speed	2920 rpm
Speed Code	Single Speed
Starting Method	Direct on line
Thermal Device - Bearing	None
Thermal Device - Winding	None
Vibration Sensor Indicator	No Vibration Sensor
Winding Thermal 1	None
Winding Thermal 2	None

Nameplate

NP2116L									
CAT.NO.									
SPEC.	09P011Y238G11								
HP	15								
VOLTS	400								
AMP	20.3								
RPM	2920								
FRAME	254T		HZ	50		PH	3		
SER.F.	1.15	CODE	J	DES	A	CL	H		
NEMA-NOM-EFF	91.7	PF	91						
RATING	40C AMB-CONT								
CC									
DE	6309	ODE	6208						
ENCL	TEFC	SN							



CD0006



NOTES:

1. THREE LEAD MOTOR MAY BE EITHER WYE CONNECTED OR DELTA CONNECTED.
2. INTERCHANGE ANY TWO LINE LEADS TO REVERSE ROTATION.
3. OPTIONAL THERMOSTATS ARE PROVIDED WHEN SPECIFIED.
4. ACTUAL NUMBER OF INTERNAL PARALLEL CIRCUITS MAY VARY.
5. LEAD COLORS ARE OPTIONAL. LEADS MUST BE NUMBERED AS SHOWN.

CD0006

REV. DESC: ADD CLASS CONN00000007		
REV. LTR: E	VERSION: 01	TDR: 000001099922
FILE: \AAA\00005\141	REVISED: 10:24:49 02/19/2019	BY: ENBRIRO
MTL: -	© □	

BALDOR - RELIANCE®

3PH, SV, 3 LEADS, WYE OR DELTA CONNECTED

SH 1 of 1