



PE145TC-1.5-4

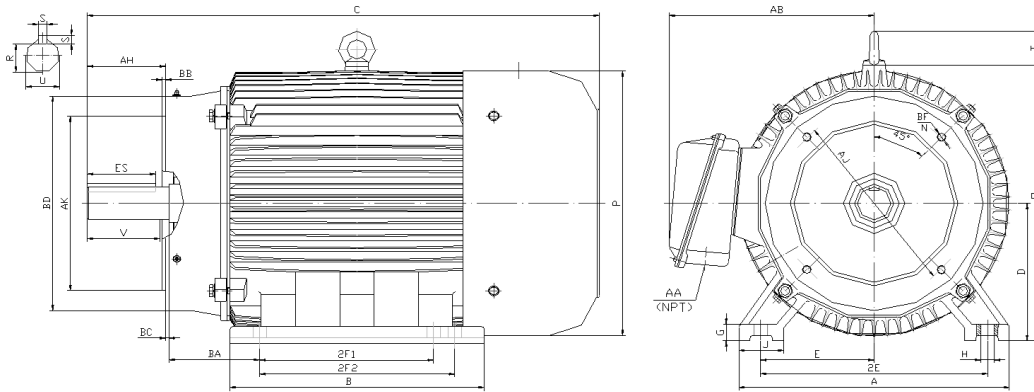
GENERAL PURPOSE ELECTRIC MOTOR

NEMA PREMIUM EFFICIENCY

TOTALLY ENCLOSED FAN COOLED - C-FLANGE WITH FEET

INVERTER DUTY 10:1 CT; 20:1 VT - NEMA MG1 PART 31

Factory Certified for T2B Class I, Division II, Groups A,B,C & D and Class II, Division II, Groups F & G



DIMENSIONS

HP	RPM	Frame	MOUNTING														
			A	B	C	D	G	H	J	E	2E	2F1	2F2	O	P	T	BA
1.5	1800	145TC	7	7.2	14.6	3.5	0.5	0.34	1.4	2.75	5.5	4	5	7.1	6.95	NA	2.25

FLANGE							Shaft Extension, Key Set						
AH	AJ	AK	BB	BC	BD	BF	U	V	R	S	ES	N-W	
2.12	5.875	4.5	0.16	0.12	6.5	4*3/8-16	0.875	2	0.771	0.188	1.41	NA	

Conduit Box		Bearings		Mount
AA	AB	DE	ODE	
0.75	6.1	6205-ZZ	6205-ZZ	F1

BEARING LUBRICATION: The bearings come lubricated with Mobil Polyrex EM Polyurea Grease.





PE145TC-1.5-4

GENERAL PURPOSE ELECTRIC MOTOR

NEMA PREMIUM EFFICIENCY

TOTALLY ENCLOSED FAN COOLED - C-FLANGE WITH FEET

INVERTER DUTY 10:1 CT; 20:1 VT - NEMA MG1 PART 31

Factory Certified for T2B Class I, Division II, Groups A,B,C & D and Class II, Division II, Groups F & G

PERFORMANCE DATA

HP	RPM	Frame	Voltage	Frequency (Hz)	Full Load S.F.	Insulation Class	NEMA Design	Slip (%)	NEMA Code	Enclosure Type	IP Rating	Max. Ambient
1.5	1750	145TC	208-230/460	60	1.15	F	B	2.8	M	TEFC	55	40 °C

Amps (460V)		Efficiency (%)			Power Factor			Torque (ft-lb)			DE Bearing	ODE Bearing	Connection	Weight (lbs.)
FLA	LRA	100%	75%	50%	100%	75%	50%	FLT	LRT %	BDT %	6205-ZZ	6205-ZZ	9 Lead 2Y/Y	52
2.2	20	86.5	86.0	83.5	0.70	0.62	0.48	4.54	250	330				

NAME PLATE

		AC INDUCTION MOTOR INVERTER DUTY 20:1 VT; 10:1 CT								CONNECTION DIAGRAMS				
CAT NO.		PE145TC-1.5-4				FRAME		145TC		PHASE 3				
HZ	60	S.F.	1.15	HZ	50	S.F.	1.0	ENCL	TEFC	IP	55	208-230V 		
HP	1.5	RPM	1750	HP	1.5	RPM	1430	DUTY	CONT	DES	B			
VOLTS		208-230/460				VOLTS		190/380		AMB	40 °C	INS	F	460V
AMPS		4.7 - 4.4 / 2.2				AMPS		5.4/2.7		DE BRG		6205-ZZ		
CODE	M	P.F.	0.70	CODE	H	P.F.	0.75	ODE BRG		6205-ZZ				
EFF	86.5	MIN	84.0	EFF	84.0	MIN	81.5	LUB: Mobil Polyrex EM						
MOTOR WEIGHT		52 LBS		CONNECTION			9 Lead 2Y/Y		SER NO					
General purpose use on industrial machinery installed in damp, dusty or dirty environments. Hernando, Mississippi										CC082A				

APPLICATIONS:

General purpose use on pumps, fans, blowers, compressors, conveyors, material handling and other industrial machinery installed in damp, dusty or dirty environments.