



PE182TC-1.5-6

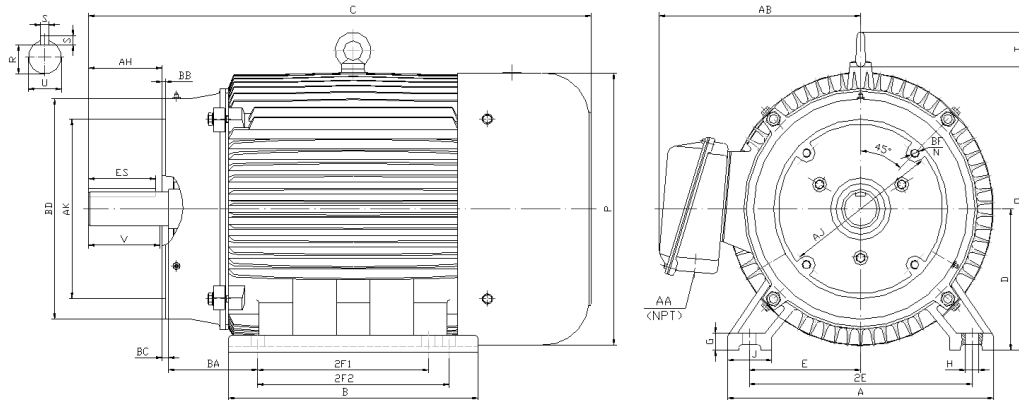
GENERAL PURPOSE ELECTRIC MOTOR

NEMA PREMIUM EFFICIENCY

TOTALLY ENCLOSED FAN COOLED - C-FLANGE WITH FEET

INVERTER DUTY 10:1 CT; 20:1 VT - NEMA MG1 PART 31

Factory Certified for T2B Class I, Division II, Groups A,B,C & D and Class II, Division II, Groups F & G



DIMENSIONS

HP	RPM	Frame	MOUNTING														
			A	B	C	D	G	H	J	E	2E	2F1	2F2	O	P	T	BA
1.5	1200	182TC	9.5	7.3	16.1	4.5	0.6	0.41	2	3.75	7.5	4.5	5.5	9.1	8.7	1.6	2.75

FLANGE							Shaft Extension, Key Set						
AH	AJ	AK	BB	BC	BD	BF	U	V	R	S	ES	N-W	
2.62	7.25	8.5	0.25	0.12	9	4*1/2-13	1.125	2.5	0.986	0.25	1.78	NA	

Conduit Box		Bearings		Mount
AA	AB	DE	ODE	
0.75	7.5	6306-ZZ	6306-ZZ	

BEARING LUBRICATION: The bearings come lubricated with Mobil Polyrex EM Polyurea Grease.





PE182TC-1.5-6

GENERAL PURPOSE ELECTRIC MOTOR

NEMA PREMIUM EFFICIENCY

TOTALLY ENCLOSED FAN COOLED - C-FLANGE WITH FEET

INVERTER DUTY 10:1 CT; 20:1 VT - NEMA MG1 PART 31

Factory Certified for T2B Class I, Division II, Groups A,B,C & D and Class II, Division II, Groups F & G

PERFORMANCE DATA

HP	RPM	Frame	Voltage	Frequency (Hz)	Full Load S.F.	Insulation Class	NEMA Design	Slip (%)	NEMA Code	Enclosure Type	IP Rating	Max. Ambient
1.5	1175	182TC	208-230/460	60	1.15	F	B	2.1	M	TEFC	55	40 °C

Amps (460V)		Efficiency (%)			Power Factor			Torque (ft-lb)			DE Bearing	ODE Bearing	Connection	Weight (lbs.)
FLA	LRA	100%	75%	50%	100%	75%	50%	FLT	LRT %	BDT %				
2.4	20	87.5	86.5	84.0	0.68	0.59	0.47	6.8	200	290	6306-ZZ	6306-ZZ	9 Lead 2Y/Y	93

NAME PLATE

		AC INDUCTION MOTOR INVERTER DUTY 20:1 VT; 10:1 CT								CONNECTION DIAGRAMS		
CAT NO.		PE182TC-1.5-6				FRAME		182TC		PHASE 3		
HZ	60	S.F.	1.15	HZ	50	S.F.	1.0	ENCL	TEFC	IP	55	208-230V
HP	1.5	RPM	1175	HP	1.5	RPM	970	DUTY	CONT	DES	B	
VOLTS 208-230/460		VOLTS 190/380		AMB 40 °C		INS		F				
AMPS 5.2 - 4.8 / 2.4		AMPS 5.6/2.8		DE BRG		6306-ZZ						460V
CODE	M	P.F.	0.68	CODE	K	P.F.	0.73	ODE BRG		6306-ZZ		
EFF	87.5	MIN	85.5	EFF	85.5	MIN	83.5	LUB: Mobil Polyrex EM				
MOTOR WEIGHT		93 LBS		CONNECTION			9 Lead 2Y/Y		SER NO			
General purpose use on industrial machinery installed in damp, dusty or dirty environments. Hernando, Mississippi										CC082A		

APPLICATIONS:

General purpose use on pumps, fans, blowers, compressors, conveyors, material handling and other industrial machinery installed in damp, dusty or dirty environments.