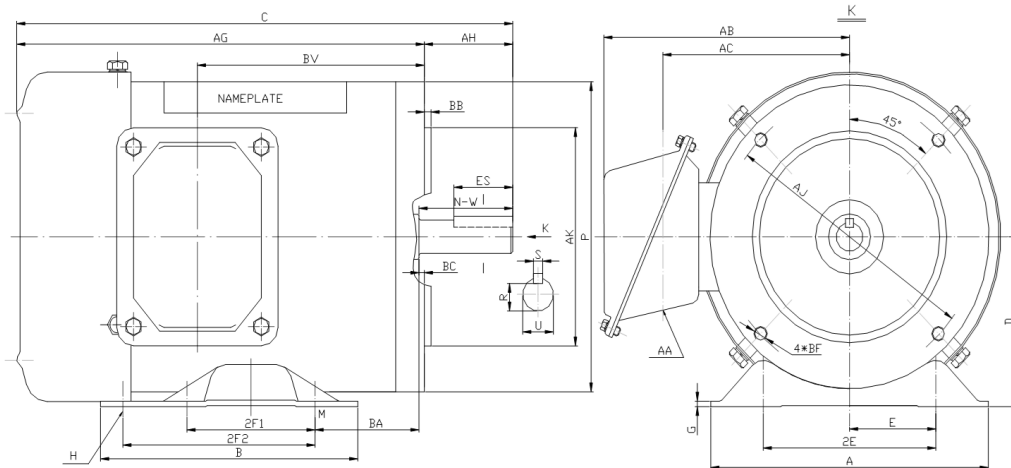


## SS56C3/4M-6

**WASHDOWN DUTY MOTOR**  
**HIGH EFFICIENCY / EISA COMPLIANT**  
**STAINLESS STEEL CONSTRUCTION - C-FLANGE WITH FEET**  
**TOTALLY ENCLOSED FAN COOLED - IP66 CONSTRUCTION**  
**INVERTER DUTY 10:1 CT; 20:1 VT - NEMA MG1 PART 31**



### DIMENSIONS

HP	RPM	Frame	MOUNTING												
			A	B	C	D	G	H	E	2E	2F1	2F2	P	AG	BA
3/4	1200	56C	6.5	5	12.57	3.5	0.118	1.22*0.34	2.44	4.88	3	NA	6.5	10.51	2.75

FLANGE						Shaft Extension, Key Set					Conduit Box			
AH	AJ	AK	BB	BC	BF	U	R	S	ES	N-W	AA	AB	AC	BV
2.06	5.875	4.5	0.16	-0.19	4*3/8-16	0.625	0.517	0.188	1.41	1.88	0.86	5.75	4.25	6.3

Bearings		Mount
DE	ODE	
6205-2RS	6205-2RS	F1

**BEARING LUBRICATION:** The bearings come lubricated with Mobil Polyrex EM Polyurea Grease.



## SS56C3/4M-6

**WASHDOWN DUTY MOTOR**  
**HIGH EFFICIENCY / EISA COMPLIANT**  
**STAINLESS STEEL CONSTRUCTION - C-FLANGE WITH FEET**  
**TOTALLY ENCLOSED FAN COOLED - IP66 CONSTRUCTION**  
**INVERTER DUTY 10:1 CT; 20:1 VT - NEMA MG1 PART 31**

### PERFORMANCE DATA

HP	RPM	Frame	Voltage	Frequency (Hz)	Full Load S.F.	Insulation Class	NEMA Design	Slip (%)	NEMA Code	Enclosure Type	IP Rating	Max. Ambient
3/4	1155	56C	208-230/460	60	1.15	F	B	3.8	K	TEFC	66	40 °C

Amps (460V)		Efficiency (%)			Power Factor			Torque (ft-lb)			DE Bearing	ODE Bearing	Connection	Weight (lbs.)
FLA	LRA	100%	75%	50%	100%	75%	50%	FLT	LRT %	BDT %				
1.85	12.5	80.0	76.0	71.0	0.65	0.58	0.50	3.3	255	280	6205-2RS	6205-2RS	9 Lead 2Y/Y	34

### NAME PLATE

		<b>THREE PHASE AC INDUCTION MOTOR</b> <b>INVERTER DUTY 20:1 VT; 10:1 CT</b>										Hernando, MS 38632	
		Model :		SS56C3/4M-6				IP	66	FRAME	56C	LB/WT	34
HZ	60	S.F.	1.15	HZ	50	S.F.	1.0	NEMA DESIGN	B				
HP	3/4	RPM	1155	HP	3/4	RPM	955	ENCL.	TEFC	INS	F		
VOLTS	208-230/460			VOLTS	190/380			DUTY	CONT	AMB	40 °C		
AMPS	3.0 - 2.8 / 1.4			AMPS	3.4/1.7			DE BRG	6205-2RS				
CODE	K	P.F.	0.65	CODE	K	P.F.	0.67	ODE BRG	6205-2RS				
EFF	80.0	MIN	77.0	EFF	77.0	MIN	74.0	SER NO.					
										CC082A			
MADE IN CHINA													

Factory Certified for T2B  
 Div 2. Class I, Gr. A , B , C & D  
 and Class II, Gr. F & G

### APPLICATIONS:

Applications include washdown applications, food processing, chemical processing, pharmaceuticals, poultry processing, meat processing, dairy applications, bakeries, snack foods, bottling and extremely corrosive environments.