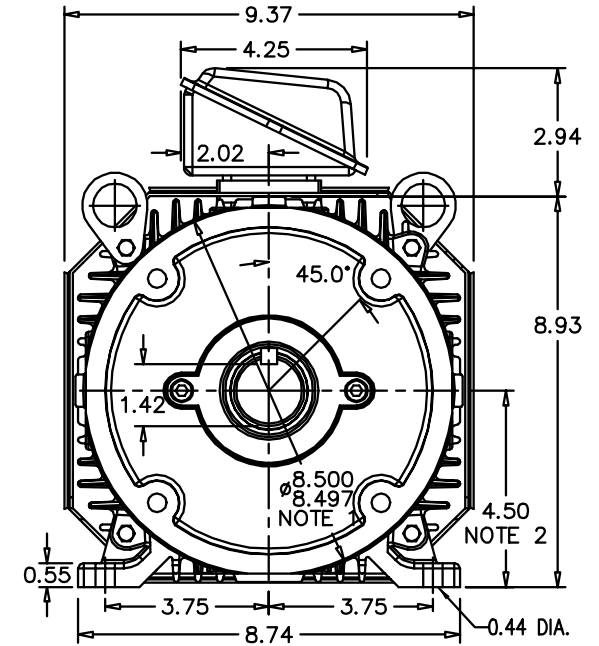
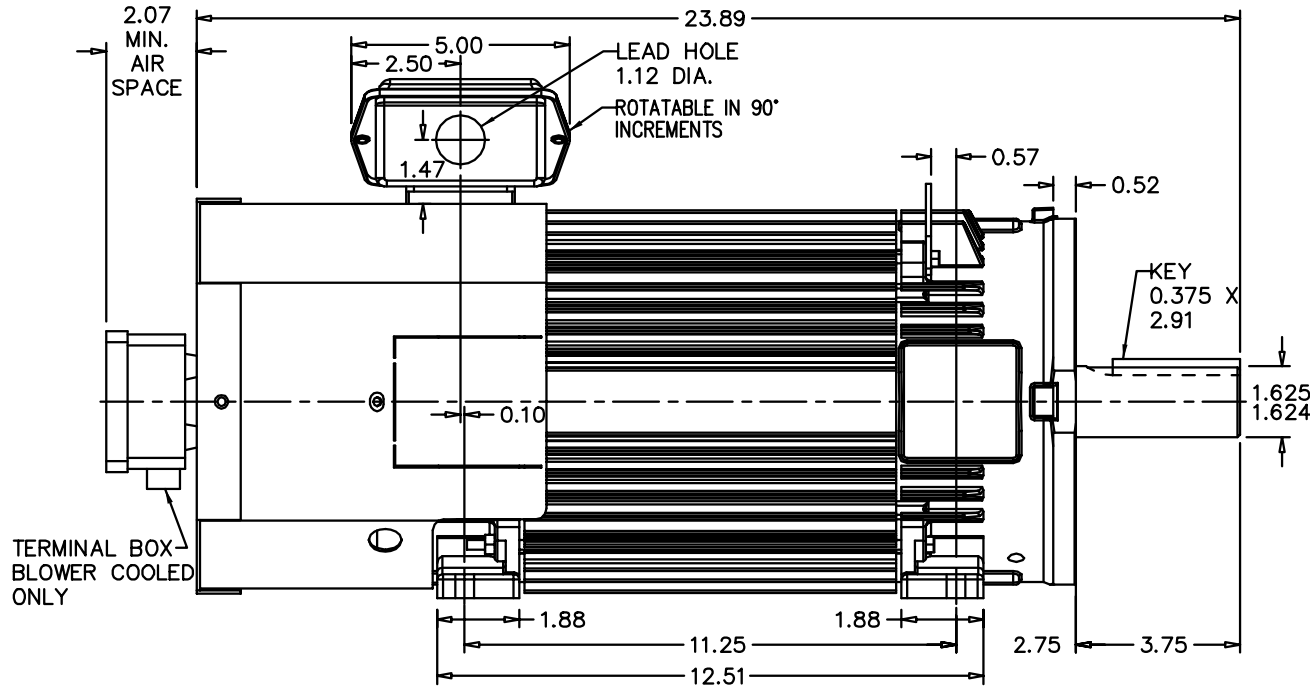


# RPM-AC FINNED FRAME VARIABLE SPEED ALTERNATING CURRENT MOTOR FL1844CZ

ENCLOSURE: TOTALLY ENCLOSED  
 MOUNTING: FOOT / NEMA 250TC C-FACE  
 DRIVE METHOD: COUPLED OR BELTED

COOLING: BLOWER COOLED or FAN COOLED  
 ACCESSORIES: PROVISIONS FOR TACHOMETER MOUNTING ONLY WHEN SPECIFIED



NOTE 1: C-FACE & TACHOMETER MOUNTING  
 1/2-13 TAP, 1.00 DEEP, ON A 7.25 DIA. BOLT CIRCLE  
 FACE RUNOUT AND ECCENTRICITY 0.004 MAX. T.I.R.  
 NOTE 2: SHAFT HEIGHT WILL NOT BE EXCEEDED  
 SHIMS UP TO 0.03 INCHES IN THICKNESS ARE USUALLY  
 REQUIRED FOR COUPLED OR GEARED MACHINES

TERMINAL BOX MAY BE LOCATED F1 OR F2 IF SPECIFIED  
 40 AMP STEEL TERMINAL BOX SHOWN  
 REFER TO 616779-50 FOR SPECIFIED TERMINAL BOX DIMENSIONS  
 REFER TO 616779-55 FOR SPECIFIED TACHOMETER DIMENSIONS

MOTOR WEIGHT: 180 LBS. (MAY VARY 15%)  
 DIMENSIONS ARE IN INCHES SCALE: 1.00

CUSTOMER IS RESPONSIBLE FOR DETERMINING THAT BALDOR'S PRODUCT WILL PERFORM SUITABLY IN THE INTENDED APPLICATION.

REV. DESC: CHANGE FOOT HEIGHT TO C/L TO 4.50	VERSION: 03	TDR: 00000895607
REV. LTR: C	REVISOR: RGGWT	BY: RGGWT
FILE: \RGG\00003\488	REVISED: 01:42:33 03/05/2015	
MTL: -		

**BALDOR**

DIM SHT RPM AC TEBC / FC FL1844CZ FT/250TC MTG PROV FOR TACH  
 SH 1 of 1