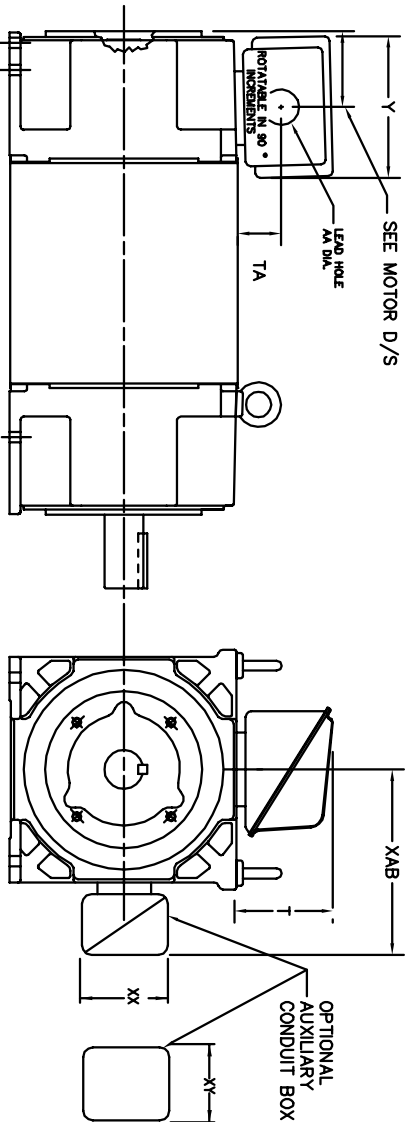


INDUSTRIAL ALTERNATING CURRENT MOTORS RPM AC

STEEL, CAST IRON, MILL AND TERMINAL BOARD CONDUIT BOX DIMENSIONS
NEMA FRAMES RL210 thru RL280 and IEC FRAMES RDL132 thru RDL180
NEMA FRAMES FL180 thru FL280 and IEC FRAMES FDL112 thru FDL180



| FRAME | TYPE | TERMINAL STRIP | AMPS | C/BOX | Y | TA | T | AA |
|---------------|-----------|----------------|------|------------|------|------|------|-----------|
| FL180 | STEEL | N | 40 | 706320003A | 5.00 | 1.62 | 3.00 | 1.12 |
| FL180 | STEEL | Y/N | 75 | 706320005A | 6.12 | 2.38 | 4.38 | 1.75/2.00 |
| FL180 | STEEL | N | 208 | 706320007A | 7.62 | 2.00 | 7.00 | 2.50/3.00 |
| FL180 | CAST IRON | Y/N | 60 | 706320004C | 5.75 | 2.38 | 4.38 | 1.0 TAP |
| FL180 & FDL11 | MILL | Y | 100 | 706310056A | 7.75 | 2.30 | 4.40 | Pg29/Pg16 |

| | | | | | | | | |
|---------------|-----------|---|-----|-------------|------|------|------|-----------|
| FL210 & RL210 | STEEL | N | 61 | 0754520008 | 6.34 | 2.00 | 4.12 | 1.75 |
| FL210 & RL210 | STEEL | N | 121 | 075454001AJ | 7.69 | 2.38 | 5.25 | 1.94 |
| FL210 & RL210 | STEEL | N | 305 | 706320016A | 9.00 | 4.12 | 8.44 | 4.59 |
| FL210 & RL210 | CAST IRON | N | 110 | 075460082B | 7.25 | 2.50 | 5.25 | 1.5 TAP |
| FL210 & RL210 | MILL | Y | 100 | 706310056A | 7.75 | 2.30 | 4.40 | Pg29/Pg16 |
| FL210 & RL210 | MILL | Y | 160 | 706310056B | 9.00 | 3.06 | 5.40 | Pg36/Pg16 |

| | | | | | | | | |
|---------------|-----------|---|-----|-------------|-------|------|-------|-----------|
| FL250 & RL250 | STEEL | N | 61 | 0754520008 | 6.34 | 2.00 | 4.12 | 1.75 |
| FL250 & RL250 | STEEL | N | 121 | 075454001AJ | 7.69 | 2.38 | 5.25 | 1.94 |
| FL250 & RL250 | STEEL | N | 305 | 706320016A | 9.00 | 4.12 | 8.44 | 4.59 |
| FL250 & RL250 | CAST IRON | N | 110 | 075460082B | 7.25 | 2.50 | 5.25 | 1.5 TAP |
| FL250 & RL250 | CAST IRON | N | 210 | 706320013A | 10.50 | 4.88 | 9.00 | 4.0 TAP |
| FL250 & RL250 | MILL | Y | 100 | 706310056A | 7.75 | 2.30 | 4.40 | Pg29/Pg16 |
| FL250 & RL250 | MILL | Y | 160 | 706310056B | 9.00 | 3.06 | 5.40 | Pg36/Pg16 |
| FL250 & RL250 | MILL | Y | 400 | 706310063B | 14.39 | 7.43 | 12.15 | BLANK |

| | | | | | | | | |
|---------------|-----------|---|-----|------------|-------|------|-------|-----------|
| FL280 & RL280 | STEEL | N | 160 | 706320009A | 7.25 | 3.50 | 7.06 | 2.50 |
| FL280 & RL280 | STEEL | N | 305 | 706320016A | 9.00 | 4.12 | 8.44 | 4.59 |
| FL280 & RL280 | STEEL | N | 500 | 702658001C | 14.62 | 7.56 | 12.70 | 5.00 |
| FL280 & RL280 | CAST IRON | N | 140 | 706320012B | 9.25 | 4.81 | 8.56 | 3.0 TAP |
| FL280 & RL280 | CAST IRON | N | 210 | 706320013A | 10.50 | 4.88 | 9.00 | 4.0 TAP |
| FL280 & RL280 | CAST IRON | N | 510 | 706320014D | 15.00 | 7.56 | 12.81 | 5.0 TAP |
| FL280 & RL280 | MILL | Y | 100 | 706310056A | 7.75 | 2.30 | 4.40 | Pg29/Pg16 |
| FL280 & RL280 | MILL | Y | 160 | 706310056B | 9.00 | 3.06 | 5.40 | Pg36/Pg16 |
| FL280 & RL280 | MILL | Y | 400 | 706310063B | 14.39 | 7.43 | 12.15 | BLANK |

| FRAME SIZE | OPTIONAL AUXILIARY CONDUIT BOX DIMENSIONS (MAXIMUM) | | | | | | | | |
|---------------------------|---|------|------|-------------|---------------------------|-------|------|------|-------------|
| | XAB | XX | XY | PART NUMBER | FRAME SIZE | XAB | XX | XY | PART NUMBER |
| FL20V/FL132/RL210V/RL132 | 7.38 | 4.25 | 4.25 | 602007-26-A | RL20V/FL132/RL210V/RL132 | 10.88 | 8.00 | 8.00 | 706310-3-B |
| FL250V/FL160/RL250V/RL160 | 8.44 | 4.25 | 4.25 | 602007-26-A | FL250V/FL160/RL250V/RL160 | 11.88 | 8.00 | 8.00 | 706310-3-B |
| FL280V/FL180/RL280V/RL180 | 9.12 | 4.25 | 4.25 | 602007-26-A | FL280V/FL180/RL280V/RL180 | 12.62 | 8.00 | 8.00 | 706310-3-B |

- (1) "AA" CONDUIT
- (2) "AA" PIPE TAP
- (3) CUSTOMER TO PROVIDE HOLE FOR CONDUIT.
- (4) 2" DN -5A or 1" TAP DN -4C

TERMINAL BOX CAN BE ROTATED FOR LEAD OUTLET AT TOP, SIDES OR BOTTOM.
TERMINAL BOX LOCATED ON OPPOSITE SIDE WHEN F-2, V-1, V-4, V-5, V-7,
OR C-1 MOUNTING IS SPECIFIED. BOX LOCATED ON TOP WHEN SPECIFIED.

CUSTOMER IS RESPONSIBLE FOR DETERMINING THAT BALDOR'S PRODUCT WILL PERFORM SUITABLY IN THE INTENDED APPLICATION.

| | | |
|--------------------------------------|------------------------------|-------------------|
| REV. DESC: REPLACE CONDUIT BOX TABLE | VERSION: 04 | TDR: 000001047838 |
| REV. LTR: D | REVISED: 11:46:16 10/19/2017 | BY: RGGWT |
| FILE: \RGG\00003\692 | | |
| MTL: - | | |



DIM SHT NEMA RL210-RL280 FL180-FL280 IEC RDL132-RDL180