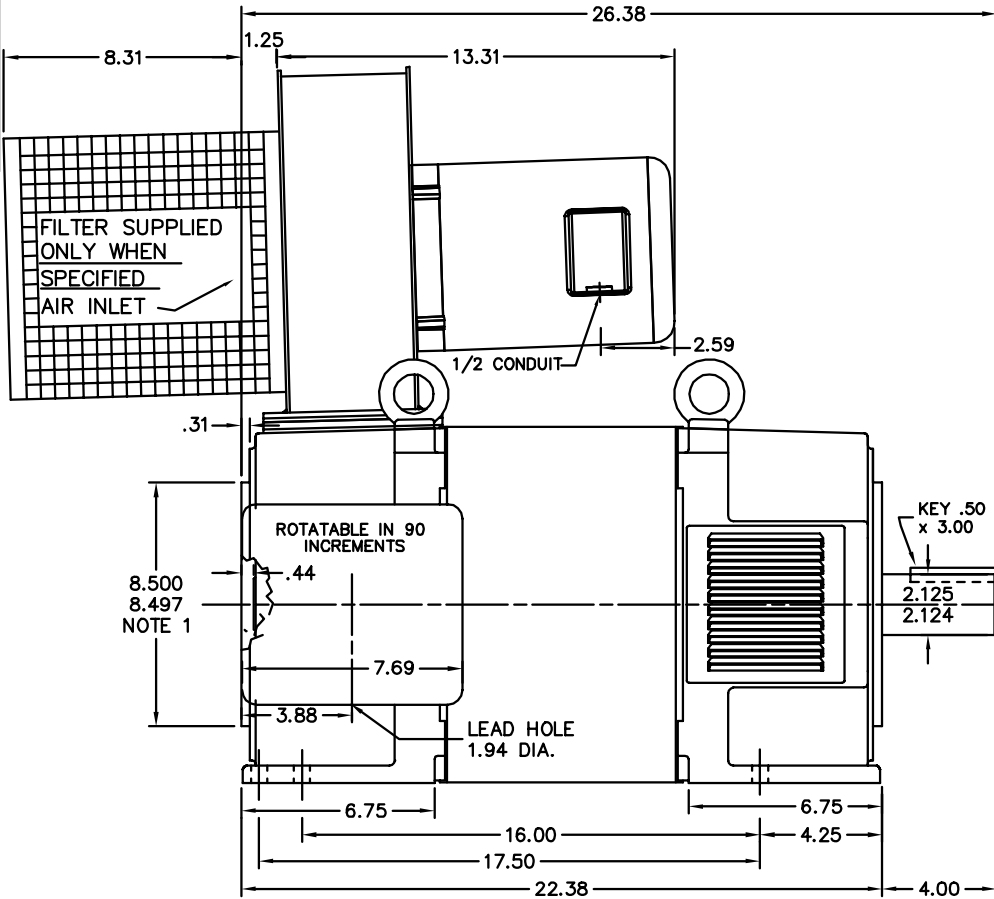


617214-001

ENCLOSURE: DRIPPROOF
 MOUNTING: FOOT
 DRIVE METHOD: COUPLED OR BELTED

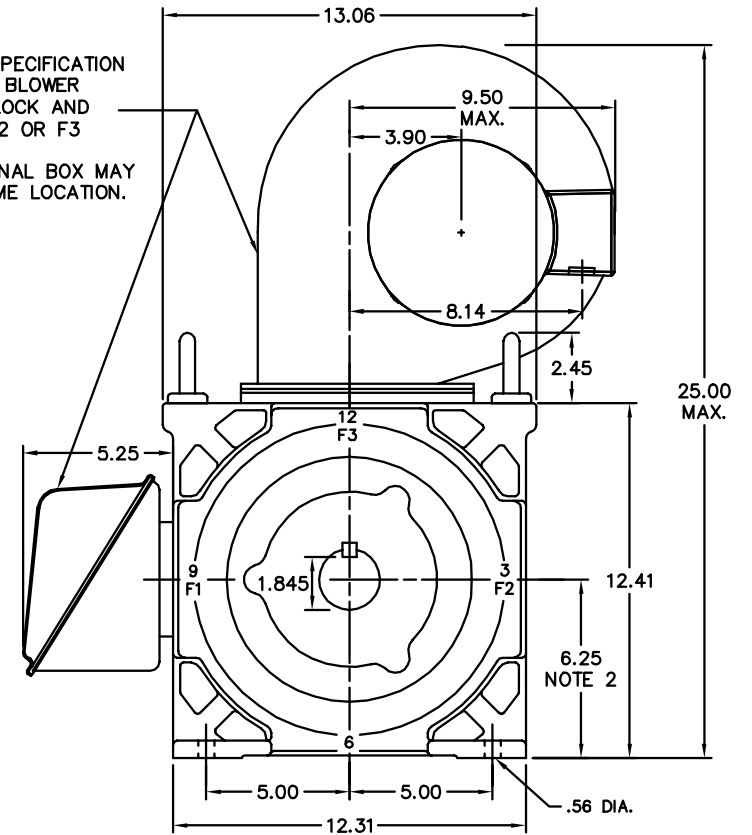
RPMAC VARIABLE SPEED ALTERNATING CURRENT MOTOR RL & URL2570Z

COOLING: FORCE VENTILATED
 ACCESSORIES: PROVISIONS FOR
 TACHOMETER MOUNTING
 ONLY WHEN SPECIFIED



REFER TO MOTOR SPECIFICATION
 FOR LOCATIONS OF BLOWER
 3, 6, 9 OR 12 O'CLOCK AND
 CONDUIT BOX F1, F2 OR F3

BLOWER AND TERMINAL BOX MAY
 NOT BE IN THE SAME LOCATION.



MOTOR WEIGHT 480 LBS. (MAY VARY 15%)

DIMENSIONS ARE IN INCHES SCALE 1:1

NOTE 1 TACHOMETER MOUNTING
 1/2-13 TAP, .88 DEEP, ON A 7.25 DIA. BOLT CIRCLE
 FACE RUNOUT AND ECCENTRICITY .004 MAX. T.I.R.

NOTE 2 SHAFT HEIGHT WILL NOT BE EXCEEDED.
 SHIMS UP TO .03 INCHES IN THICKNESS ARE USUALLY
 REQUIRED FOR COUPLED OR GEARED MACHINES.

121 AMP STEEL CONDUIT BOX SHOWN
 REFER TO 616779-50 FOR SPECIFIC CONDUIT BOX DIMENSIONS
 REFER TO 616779-51 FOR SPECIFIC TACHOMETER DIMENSIONS

CUSTOMER IS RESPONSIBLE FOR DETERMINING THAT THIS PRODUCT WILL PERFORM SUITABLY IN THE INTENDED APPLICATION.

REV. DESC: ADD BLOWER AND CONDUIT BOX LOCATION NOTE		
REV. LTR: B	VERSION: 02	TDR: 000001084751
FILE: \RGG\00003\278	REVISED: 01:02:13 09/24/2018	BY: RGGWT
MTL: -		

BALDOR - RELIANCE®

DIM SHT RPMAC DPFV RL & URL2570Z PROV FOR TACH

SH 1 of 1

617214-001