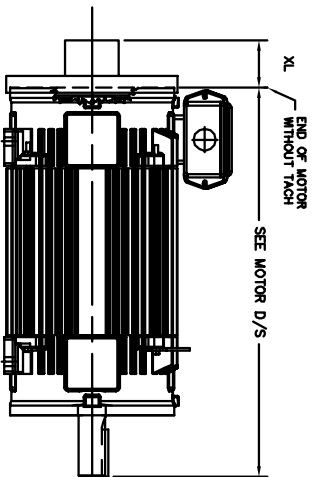


**RPM AC TACHOMETER DIMENSIONS**  
**NEMA FRAMES FL180 thru FL440 and IEC FRAMES FDL112 thru FDL280**  
 DIMENSIONS ARE IN INCHES(mm)

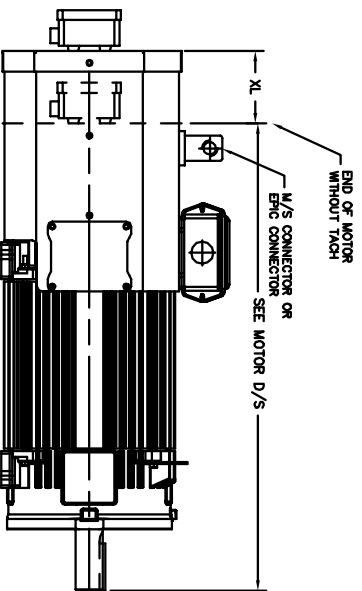
DPFV, DPSV, TEPV, TESV, TENV & TEO-BC  
 IC06, IC17, IC37, IC410, & IC416-PB



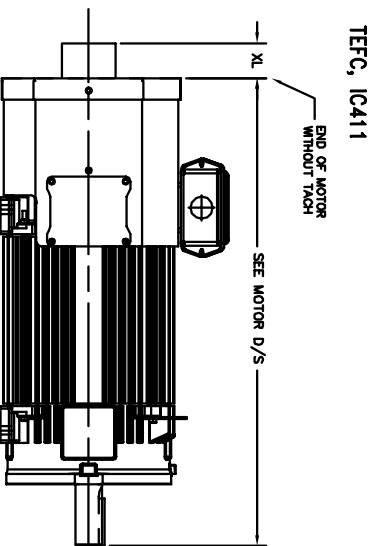
TACH MODEL	XL Inchest(mm)	LBS.
BEI DR DYNAPAR HS35	2.88 (74)	5
DYNAPAR H20	7.50(191) MAX	10
NORTHSTAR HS35M	3.31 (84)	10
NORTHSTAR ST67	2.88 (74)	5
DYNAPAR HS6	10.56 (268)	40
AVTRON H3 DR M4	3.62 (92)	10
TAKAGAWA TS5013(XT)	6.00 (152)	10
NORTHSTAR ST56	2.88 (74)	5
NORTHSTAR ST85	2.00 (51)	5
BEI H380	10.19 (259)	15
TAKAGAWA TS2151	2.64 (67)	15
DYNAPAR HS20	2.00 (50.8)	5
DYNAPAR H25	12.88 (327)	10
STEGMANN SRM25	7.25 (184.4)	10
NORTHSTAR HS025	3.00 (76.2)	10
HEIDENHAIN EQM425	2.5 (63.5)	5
AVTRON HS35M	4.19 (106.4)	5
HEIDENHAIN ERW480	5.00 (76.2)	5
DYNAPAR H225	7.00 (177.8)	10
DYNAPAR H22	3.62 (92.1)	5
AVTRON H285	2.54 (64.5)	9
AVTRON AV850	2.54 (64.5)	9
AVTRON AV56	4.50 (115)	15
HS028	3.30 (84)	5
HS025	3.30 (84)	2
NORTHSTAR RT8	3.25 (83)	15
DYNAPAR H4625	5.88 (150)	10
AVTRON AV485	9.50 (241)	18
AVTRON AV32	1.93 (49)	.7

TEAO-BC, IC416-BC  
 AND  
 EXCLUDES NEMA FRAMES FL320 THRU FL440  
 AND  
 IEC FRAMES FDL200 THRU FDL280

TACH MODEL	XL Inchest(mm)	LBS.
BEI DR DYNAPAR HS35	4.50 (115)	10
DYNAPAR H20	4.50 (115)	15
AVTRON H3 DR M4	4.50 (115)	10
NORTHSTAR HS35M	4.50 (115)	15
NORTHSTAR ST56	4.50 (115)	10
NORTHSTAR ST67	4.50 (115)	10
NORTHSTAR ST85	4.50 (115)	5
TAKAGAWA TS5008, TS5013	4.50 (115)	10
DYNAPAR HS20	4.50 (115)	15
STEGMANN SRM25	4.50 (115)	10
STEGMANN SRS/SRM50	4.50 (115)	3
STEGMANN SRS60	4.50 (115)	15
HESD & HESE	4.50 (115)	15
AVTRON HS35M	4.50 (115)	10
AVTRON AV85	4.50 (115)	10
AVTRON HS6	4.50 (115)	5
AVTRON AV67	4.50 (115)	10
HS038	4.50 (115)	5
TS5014	4.50 (115)	10
AVTRON HS45	4.50 (115)	15
DYNAPAR HSD38M	4.50 (115)	15
AVTRON AV32	4.50 (115)	.7
AVTRON AV850	4.50 (115)	9



TACH MODEL	XL Inchest(mm)	LBS.
BEI HS35	2.88 (74)	7
NORTHSTAR HS35M	3.31 (84)	10
DYNAPAR H20	3.75 (95)	15
DYNAPAR HS35, HSD38	2.88 (74)	7
H20(XT)	9.75 (248)	35
EQM45	7.90 (201)	35
AVTRON HS35M	4.19 (106)	2
STEGMANN SRM50	3.75 (95)	1
DYNAPAR H20	2.00 (51)	1
NORTHSTAR HS025	2.81 (71)	2
NORTHSTAR HS028	3.30 (84)	5
AVTRON AV32	1.93 (49)	.7



CUSTOMER IS RESPONSIBLE FOR DETERMINING THAT BALDOR'S PRODUCT WILL PERFORM SUITABLY IN THE INTENDED APPLICATION.

REV. DESC: ADD AVTRON AV850 TO FRAMES FL320 THRU FL440	VERSION: 23	TDR: 00001059525
REV. LTR: Y	REVISED: 07:16:49 02/12/2018	BY: RGGWT
FILE: \RGG\00003\694		
MTL: -		

**BALDOR**

DIM SHT TACH DIM NEMA FL180 - FL440 IEC FDL112 - FDL280

SH 1 of 1