

DUTY MASTER ALTERNATING CURRENT MOTORS

SQUIRREL-CAGE INDUCTION

ENCLOSURE: TOTALLY ENCLOSED

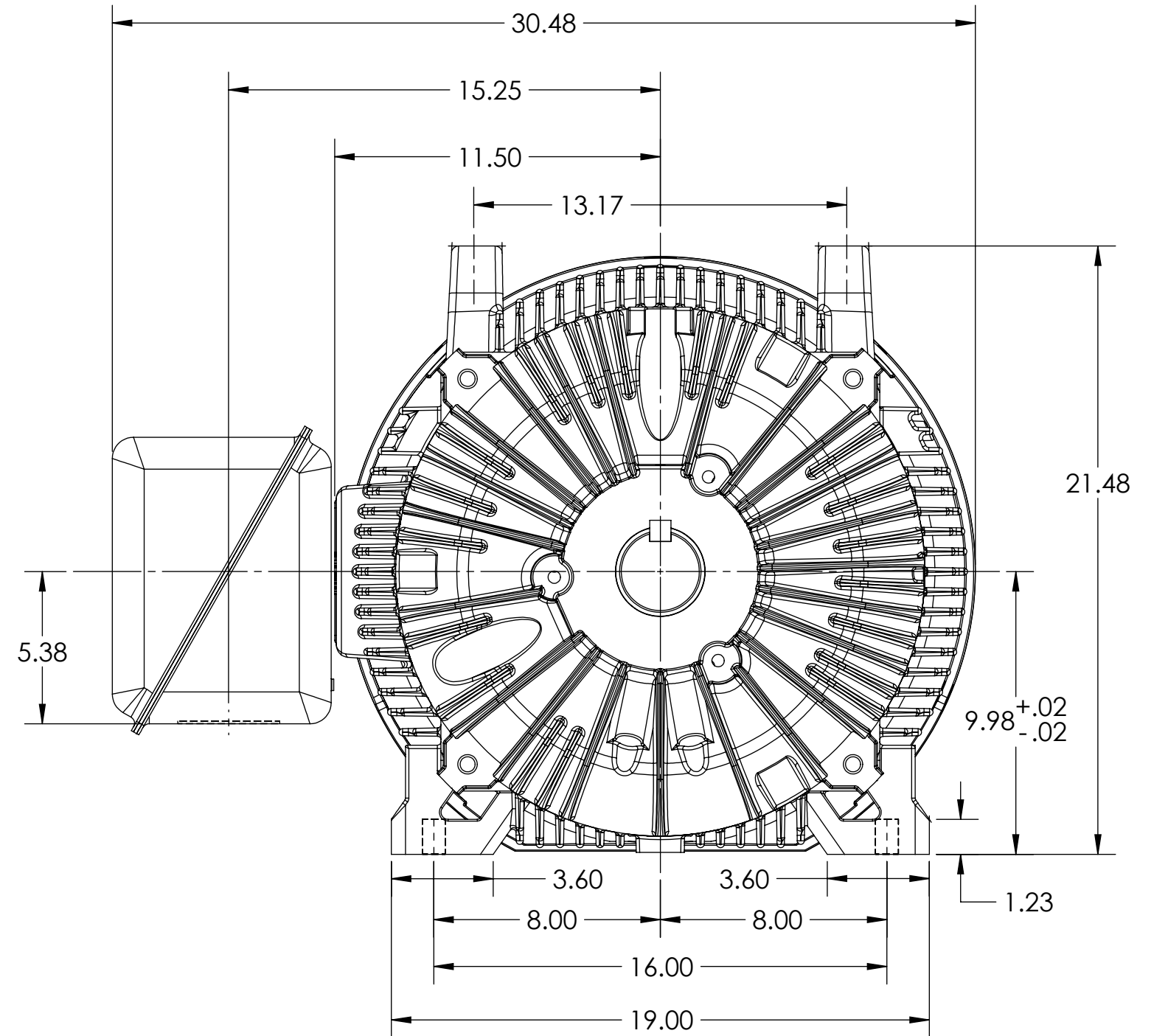
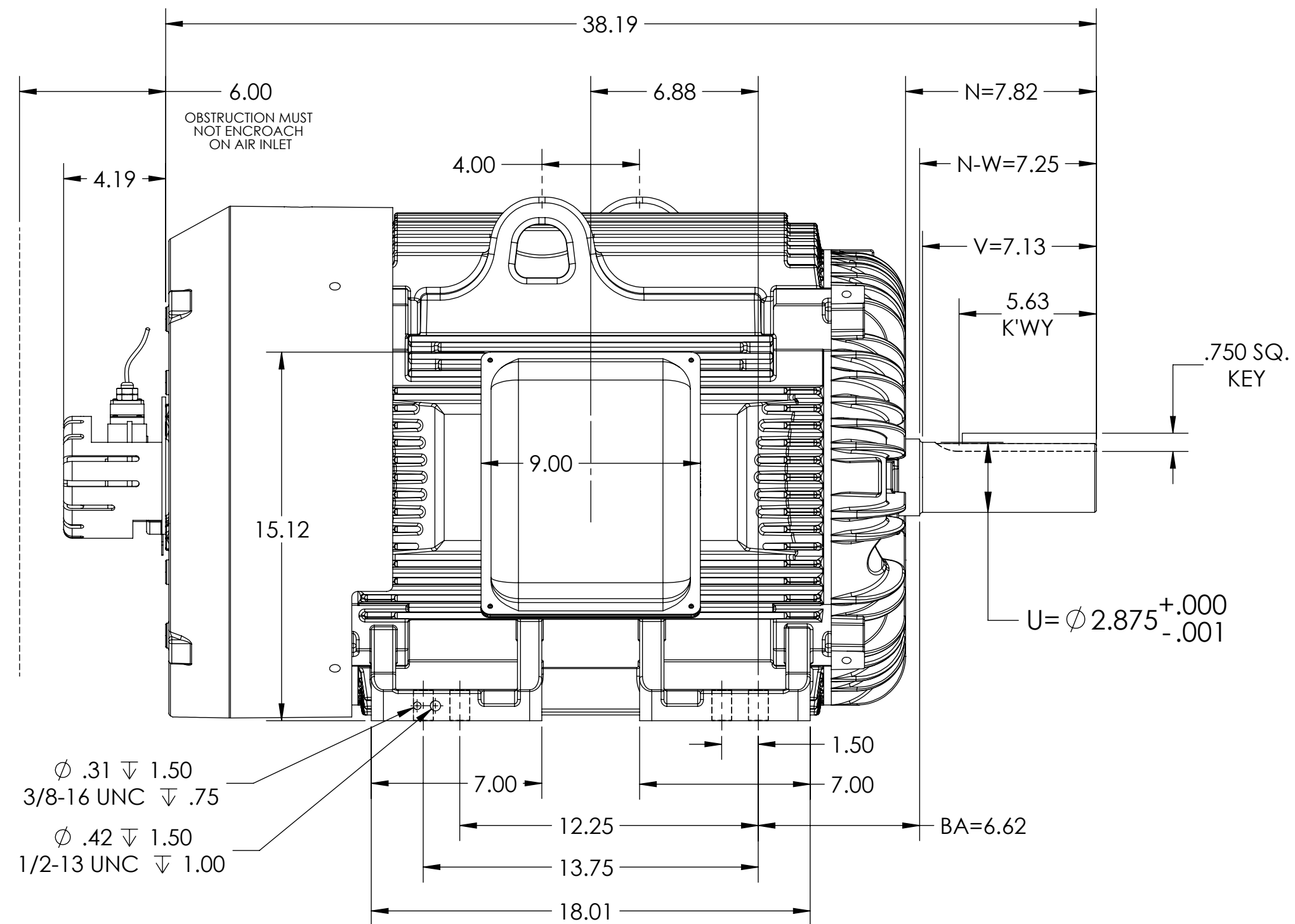
FRAME G405T ABOVE NEMA RATINGS

COOLING: FAN COOLED

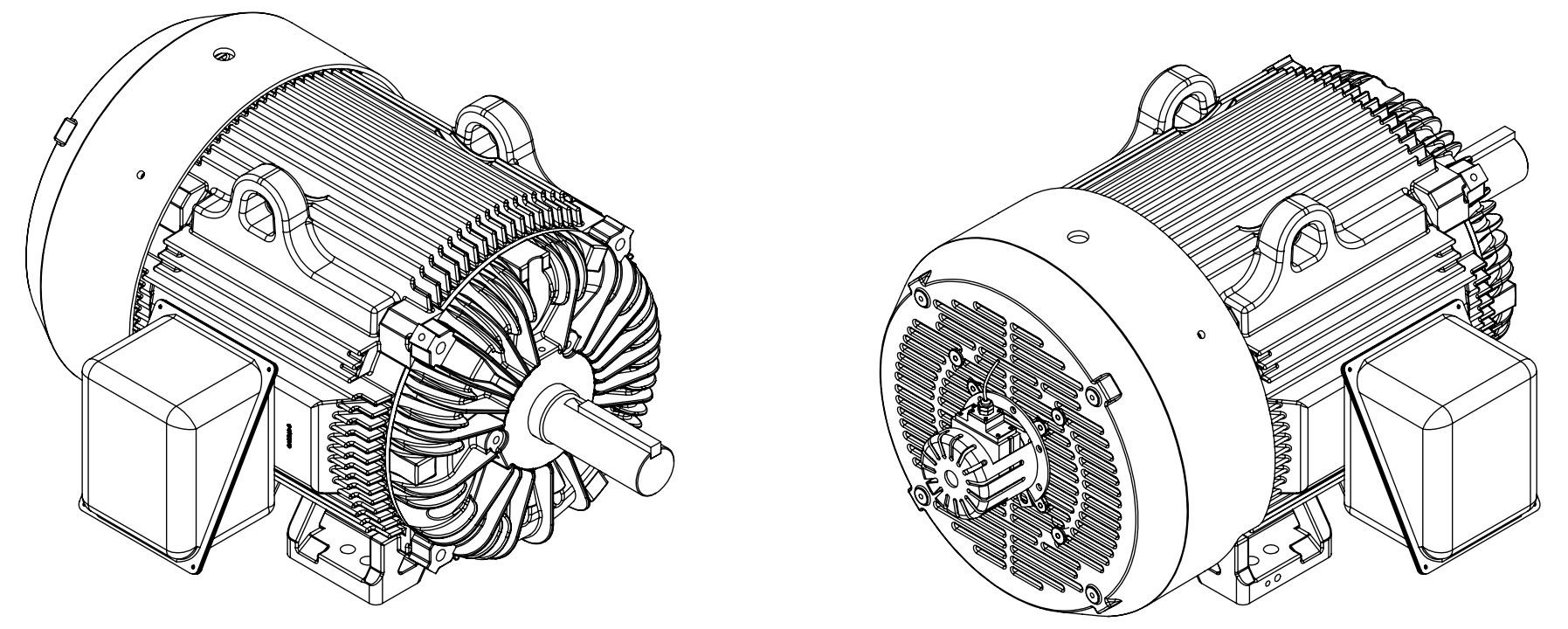
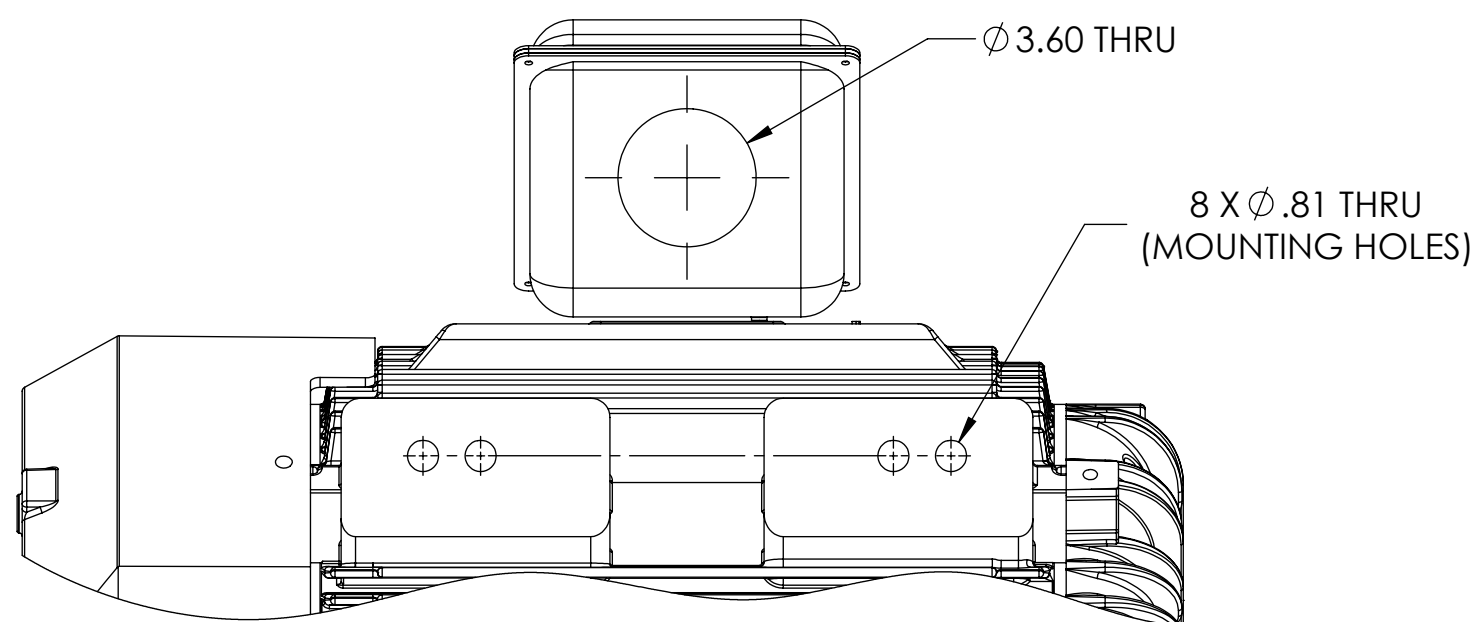
MOUNTING: FOOT F-1

INCLUDES 404T FRAME MOUNTING HOLES AND HS-35 ENCODER

STANDARD INDUSTRIAL/ ZDVSM ENCLOSURE



$\phi .31 \nabla 1.50$
 $3/8-16 \text{ UNC } \nabla .75$
 $\phi .42 \nabla 1.50$
 $1/2-13 \text{ UNC } \nabla 1.00$



WEIGHT (LBS) : 1350 / WEIGHT MAY VARY 15% DEPENDING ON RATING

DIMENSIONS ARE IN INCHES; SEE SHEET 2 FOR DIMENSIONS IN MILLIMETERS

CUSTOMER IS RESPONSIBLE FOR DETERMINING THAT MOTOR PERFORMANCE IS SUITABLE IN THE APPLICATION.

IF MOUNTING CLEARANCE DETAILS ARE REQUIRED, CONSULT FACTORY.
MAXIMUM PERMISSIBLE SHAFT RUNOUT WHEN MEASURED AT END OF
STANDARD SHAFT EXTENSION IS .003" T.I.R. TO 5 INCH DIA.

SHEET NUMBER
1 OF 2

617429-200

REV. DESC: UPDATING FOOT HOLES FROM 6 TO 8			
REV: C	VERSION: 03	REVISED: 10:52:36 12/08/2017	TDR: 000001053673
MODEL NO. 617429-200		REF: -	
BY: RAGRA	Material: -		

BALDOR

G405T/404T STD - FOOTED - STANDARD INDUSTRIAL/ZDVSM - ENCODER

DUTY MASTER ALTERNATING CURRENT MOTORS

SQUIRREL-CAGE INDUCTION

ENCLOSURE: TOTALLY ENCLOSED

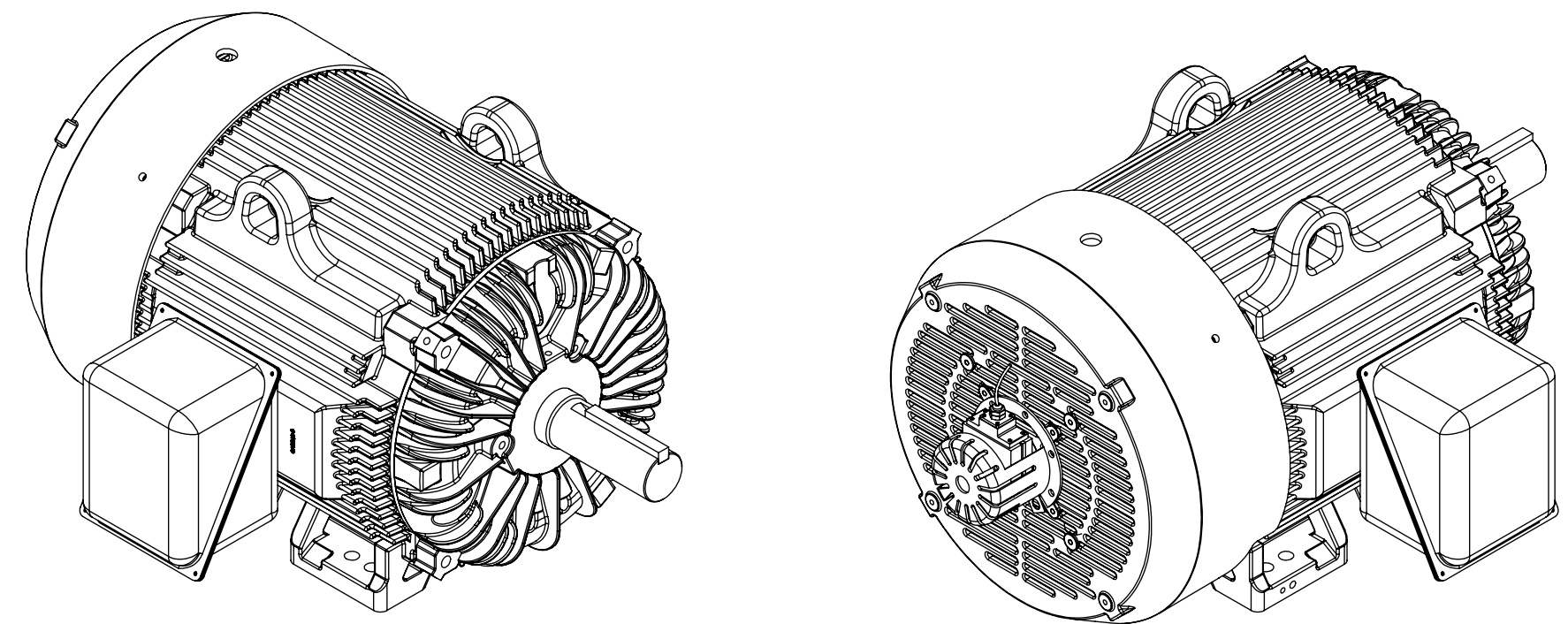
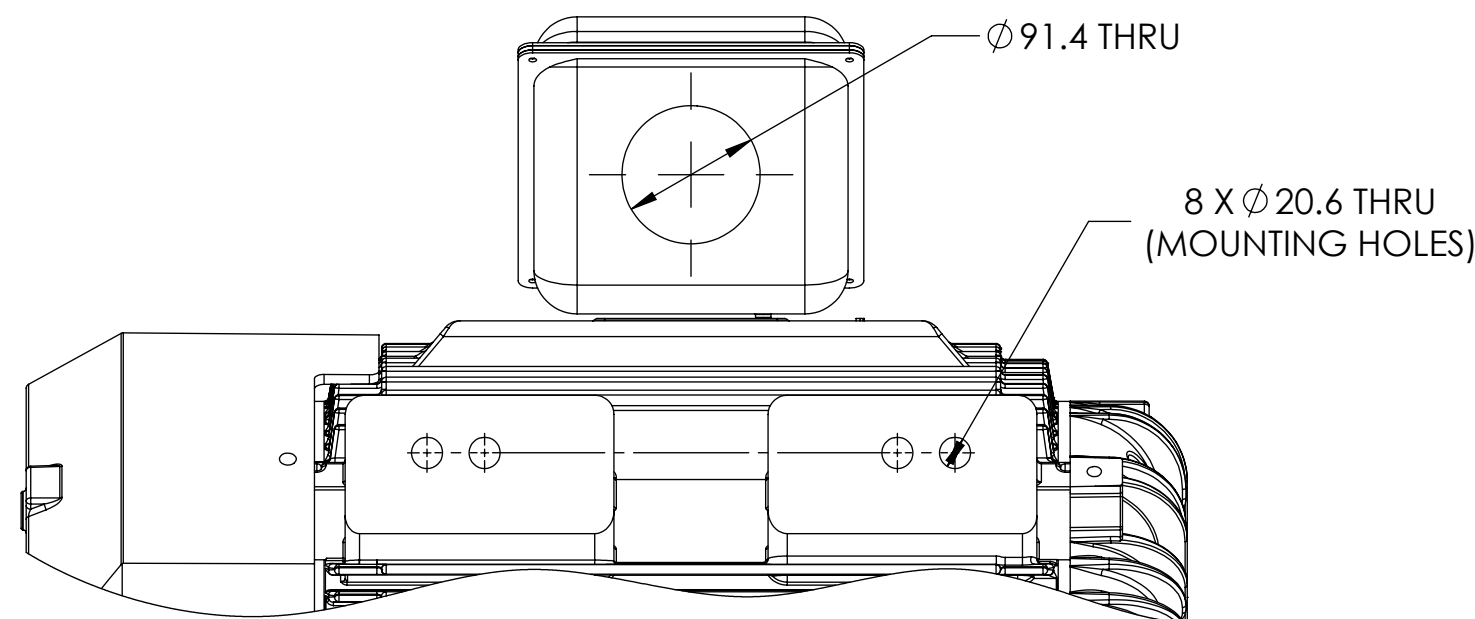
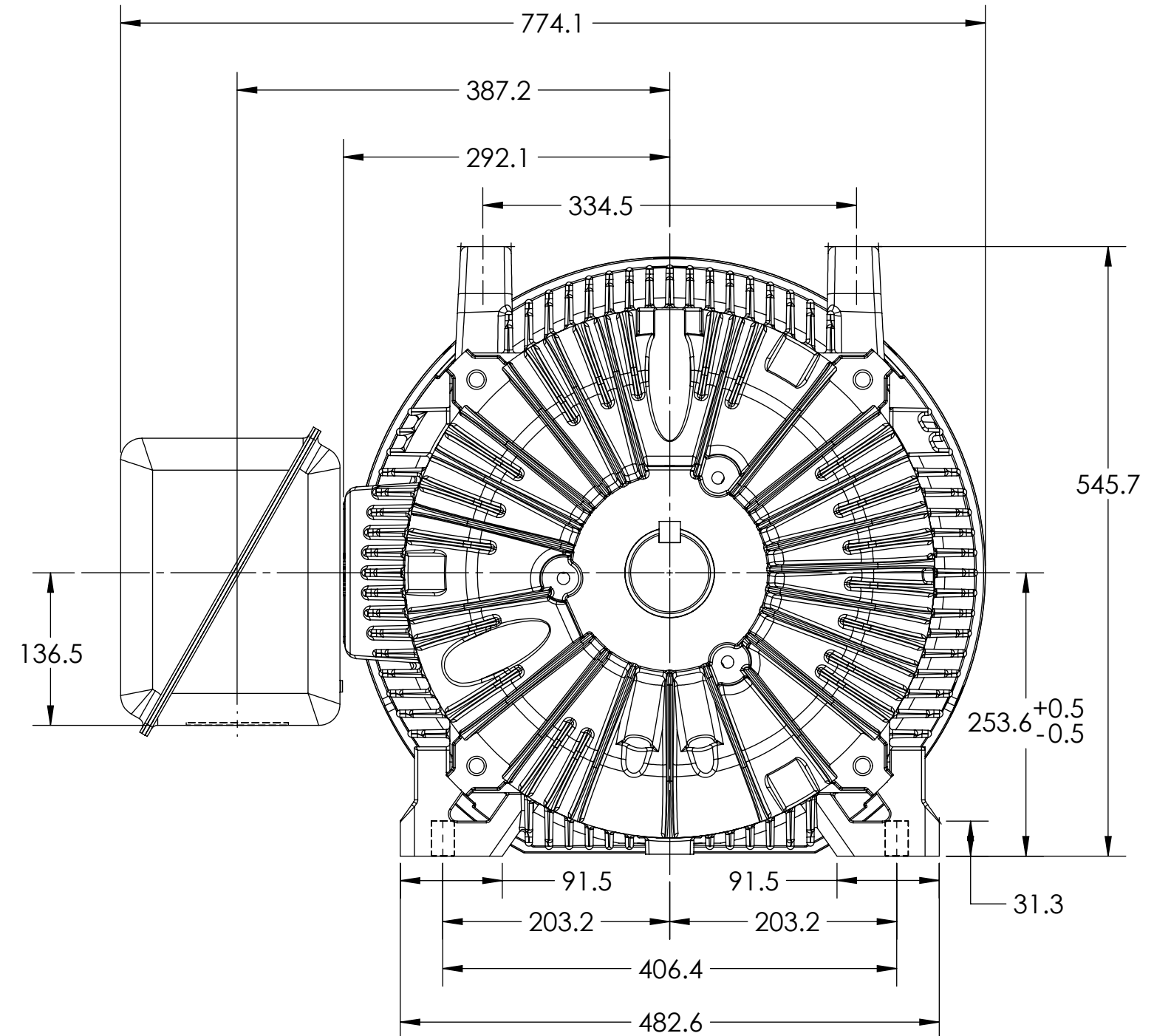
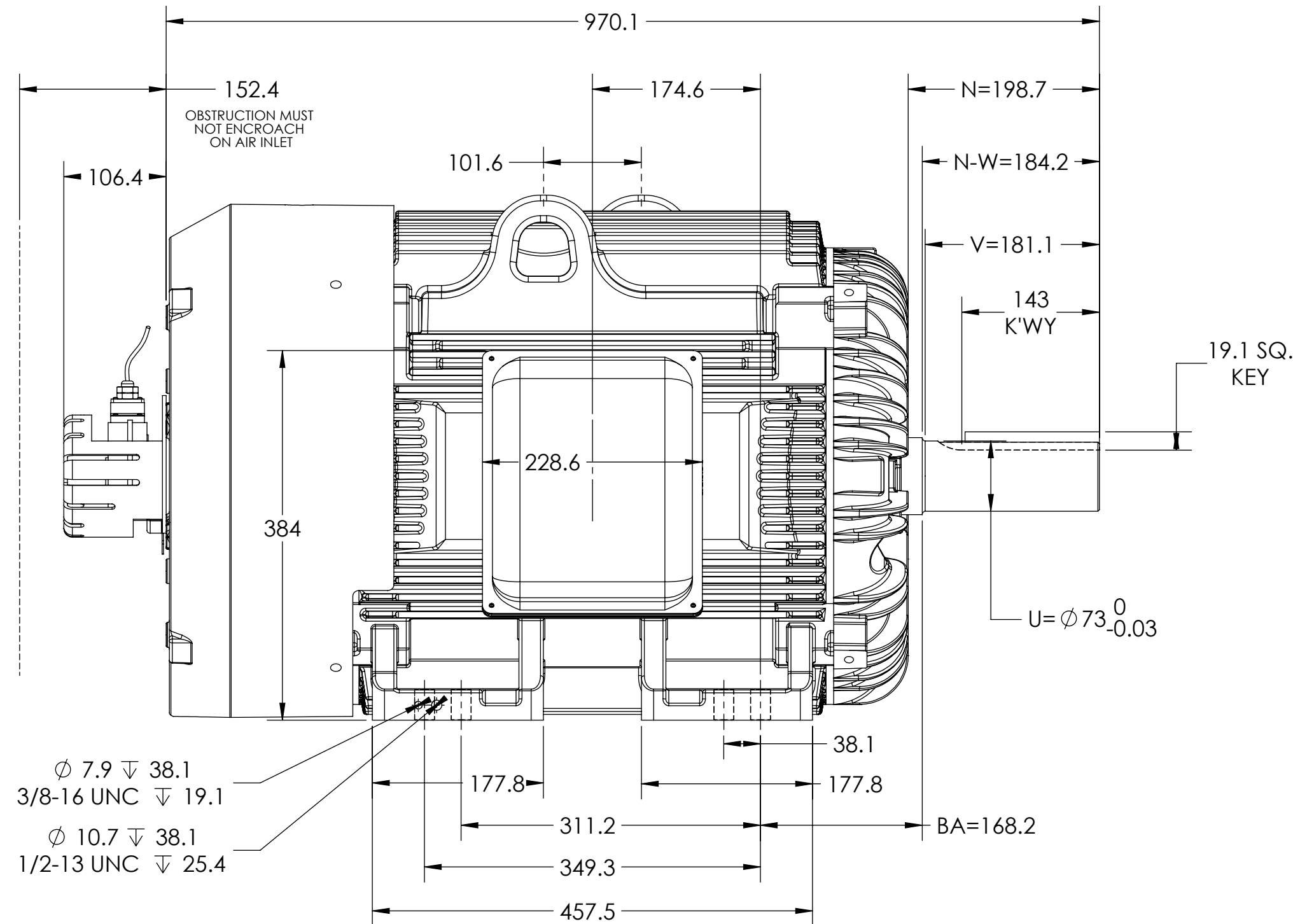
FRAME G405T ABOVE NEMA RATINGS

COOLING: FAN COOLED

MOUNTING: FOOT F-1

INCLUDES 404T FRAME MOUNTING HOLES AND HS-35 ENCODER

STANDARD INDUSTRIAL/ ZDVSM ENCLOSURE



WEIGHT (KGS) : 620 / WEIGHT MAY VARY 15% DEPENDING ON RATING

DIMENSIONS ARE IN MILLIMETERS; SEE SHEET 1 FOR DIMENSIONS IN INCHES

CUSTOMER IS RESPONSIBLE FOR DETERMINING THAT MOTOR PERFORMANCE IS SUITABLE IN THE APPLICATION.

IF MOUNTING CLEARANCE DETAILS ARE REQUIRED, CONSULT FACTORY.
MAXIMUM PERMISSIBLE SHAFT RUNOUT WHEN MEASURED AT END OF
STANDARD SHAFT EXTENSION IS .08 MM T.I.R. TO 127 MM DIA.

REV. DESC: UPDATING FOOT HOLES FROM 6 TO 8			
REV: C	VERSION: 03	REVISED: 10:52:36 12/08/2017	TDR: 000001053673
MODEL NO. 617429-200		REF: -	
BY: RAGRA	Material: -		

BALDOR

G405T/404T STD - FOOTED - STANDARD INDUSTRIAL/ZDVSM - ENCODER