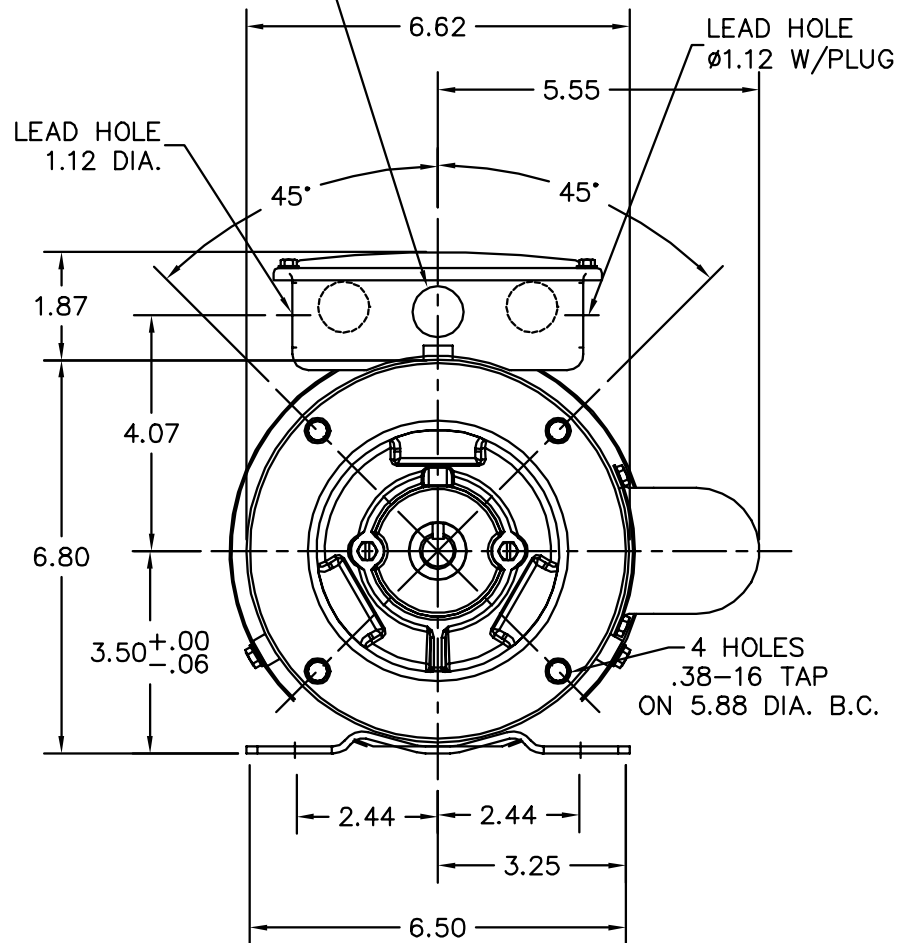
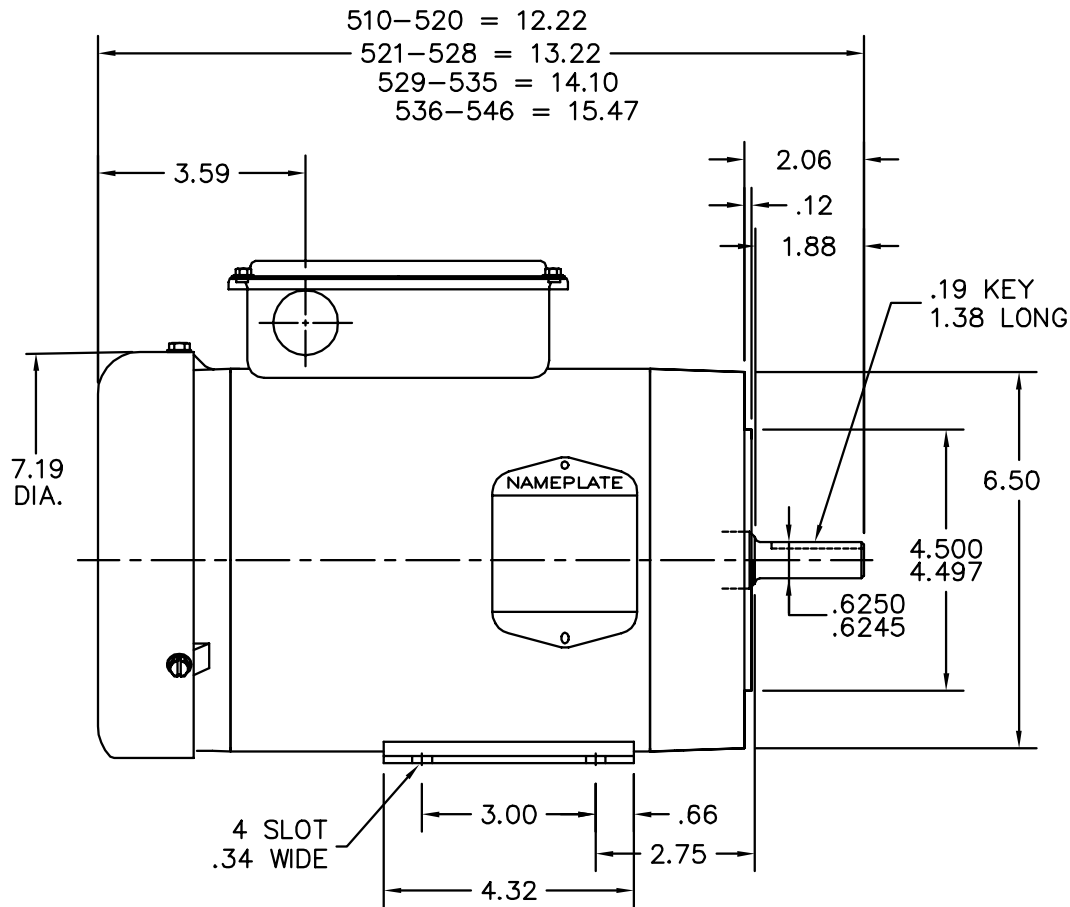



1 X Ø.88 KNOCKOUT (PU. END)
 2 X Ø.88 KNOCKOUTS (FR. END)



CUSTOMER IS RESPONSIBLE FOR DETERMINING THAT BALDOR'S PRODUCT WILL PERFORM SUITABLY IN THE INTENDED APPLICATION.

REV. DESC: LAYER CORRECTION		
REV. LTR: C	VERSION: 03	TDR: 000001065336
FILE: \AAA\00152\745	REVISED: 08:56:26 03/23/2018	BY: FPJFGO
MTL: -		

BALDOR - RELIANCE®

HOR 56C TEFC 35L F3 CAP @3, W/35CB4007 @ 12

SH 1 of 1