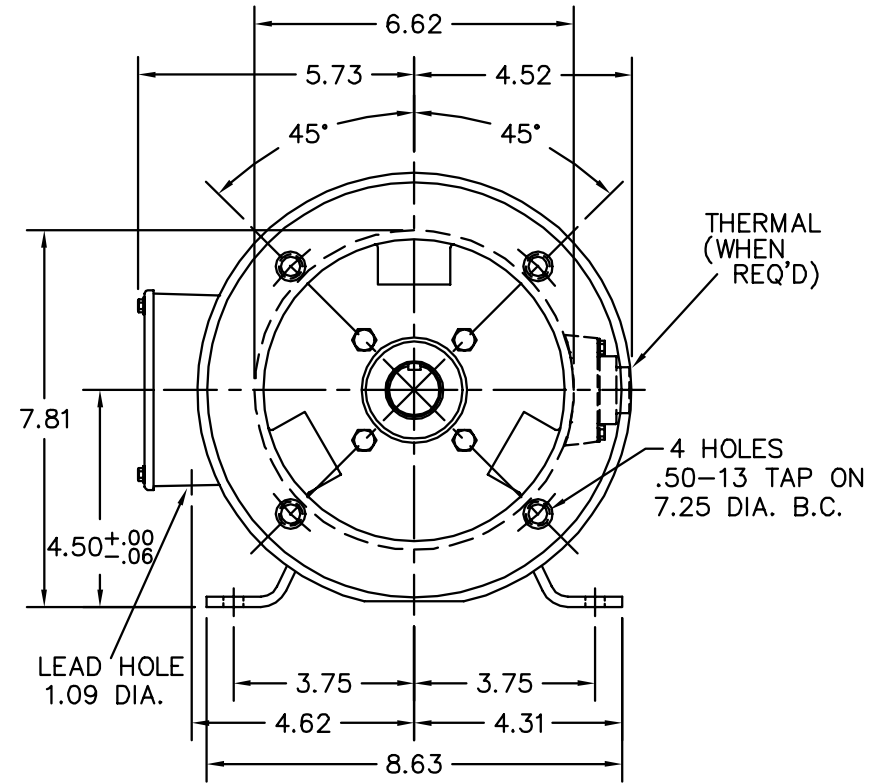
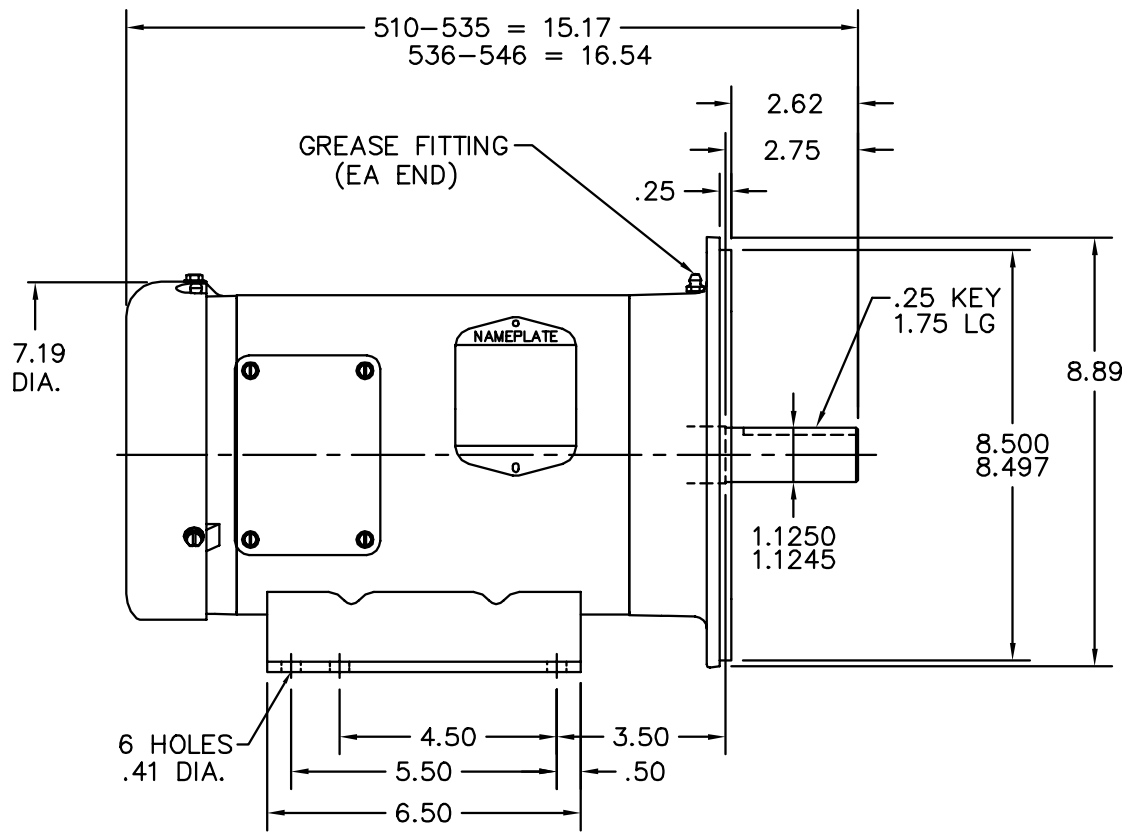
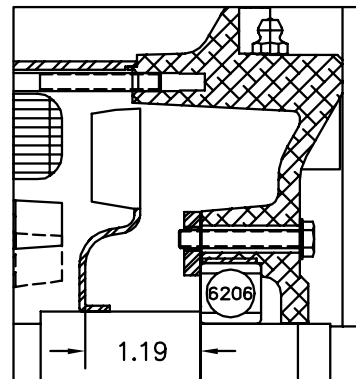



35LYL113



PULLEY END DETAIL



CUSTOMER IS RESPONSIBLE FOR DETERMINING THAT BALDOR'S PRODUCT WILL PERFORM SUITABLY IN THE INTENDED APPLICATION.

REV. DESC: UPDATE TITLE BLOCK AND XREF PARTS		
REV. LTR: K	VERSION: 01	TDR: 000001059010
FILE: \AAA\00005\832	REVISED: 02:57:05 02/01/2018	BY: ENFRAJO
MTL: -		

BALDOR

STD HORZ 182-4TC TEFC 35M

SH 1 of 1

35LYL113