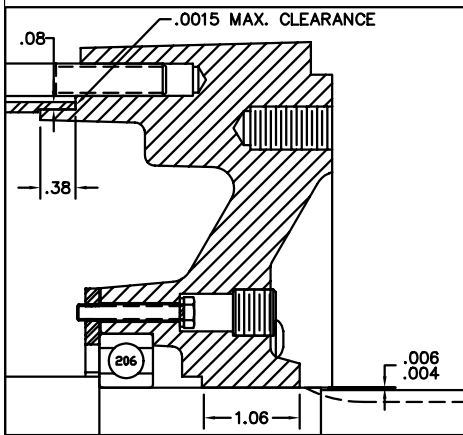
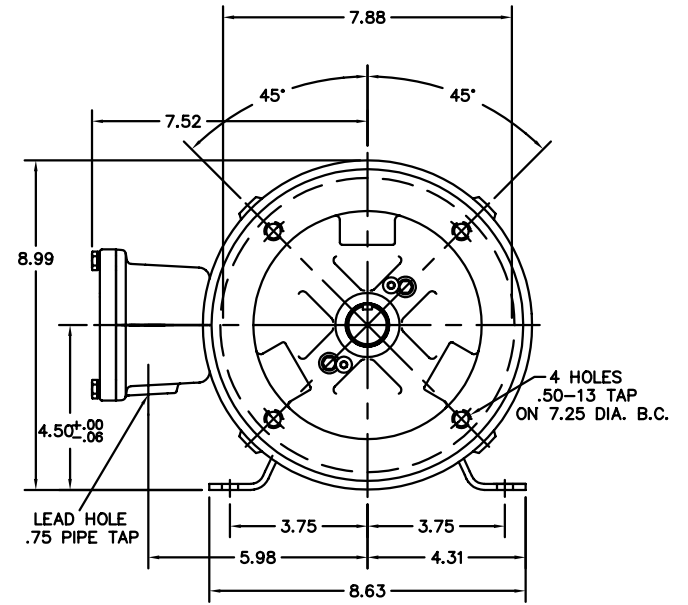
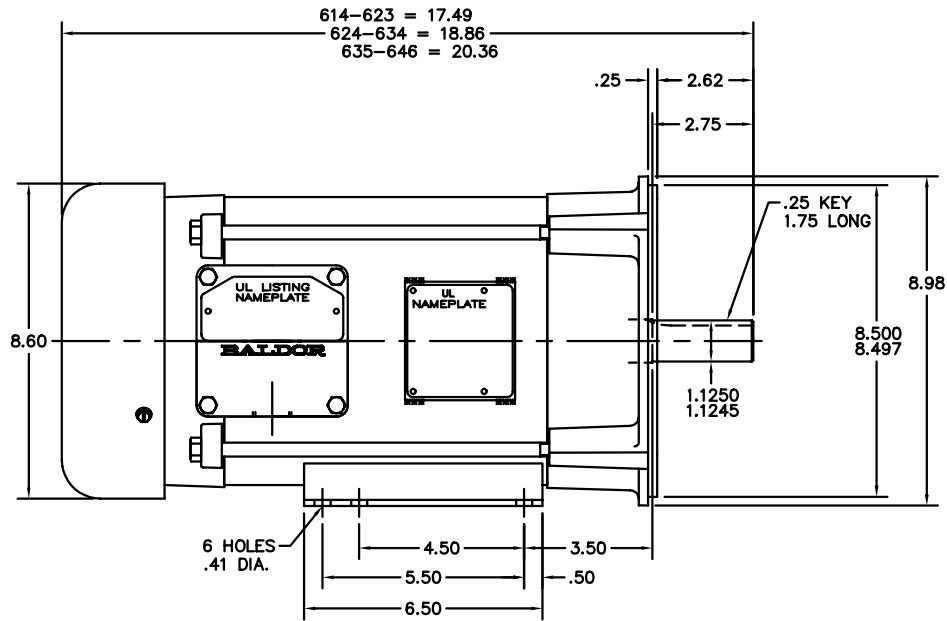


36LYN020



PULLEY END DETAIL

UL CLASS I - GROUP D - CLASS II - GROUPS F & G

CUST. NAME		CUST. P.O.		CERTIFIED BY		MODEL		INSUL		AMB	
H.P.	MTG	TYPE	R.P.M.	VOLTS	ENCL	PHASE	FREQ	FRAME			
REV. DESC: CHG'D FH TO 36FH4009A02											
REV. LTR: F		BY: JED		REVISED: 06/03/99 2:15		TDR: 0183318		<b>BALDOR ELECTRIC Co.</b>			
FILE: AAA00004732				MDL: -							
MTL: -											
STD HORZ 182-4TC XPFC 36M CL I-GP D-CL II-GP F&G											

36LYN020