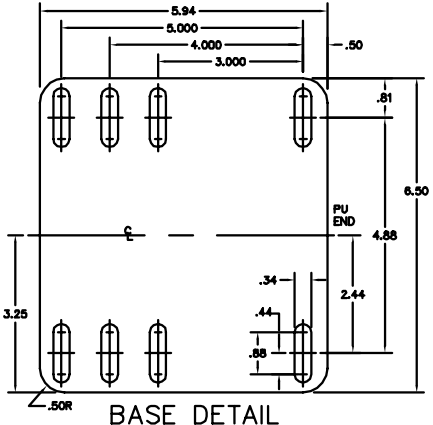
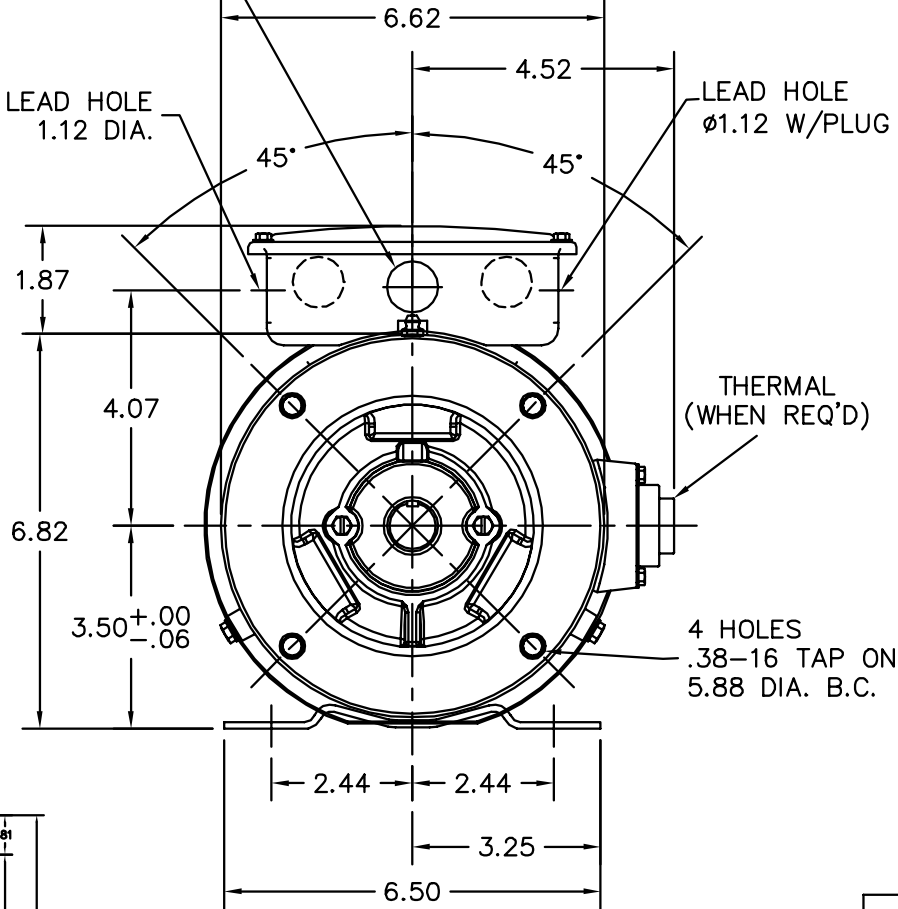
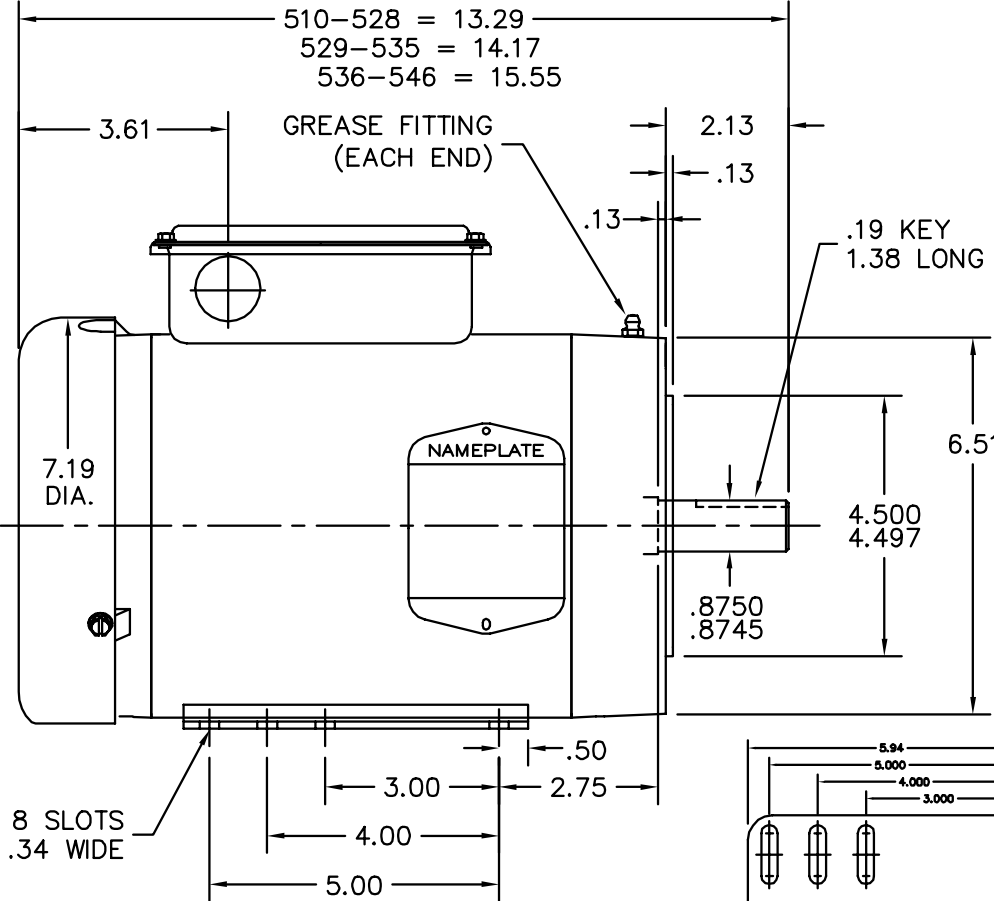


1 X Ø.88 KNOCKOUT (PU. END)  
2 X Ø.88 KNOCKOUTS (FR. END)



CUSTOMER IS RESPONSIBLE FOR DETERMINING THAT BALDOR'S PRODUCT WILL PERFORM SUITABLY IN THE INTENDED APPLICATION.

REV. DESC: REPLACE ENDPLATES		
REV. LTR: B	VERSION: 02	TDR: 000001063670
FILE: \AAA\00152\723	REVISED: 02:19:37 03/14/2018	BY: FGCHAH1
MTL: -		

**BALDOR**

HORZ 143-5TCY TEFC M F3 W/35CB4007 & 35BA4011