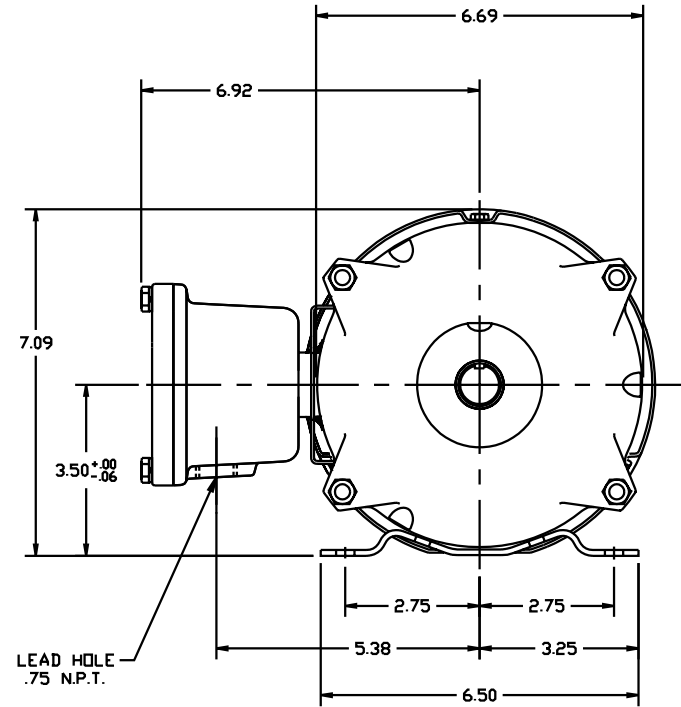
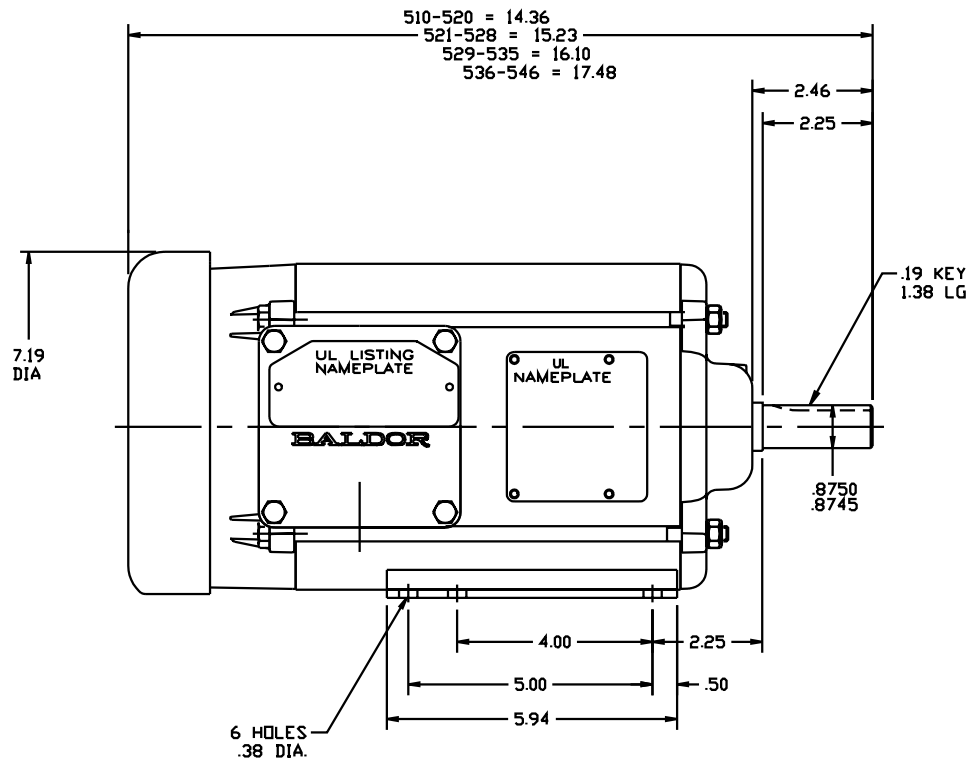


35J363



| | | | | | | | |
|------------|-------|--------------|-------|------|-------------------|----------------|-------------------|
| CUST. NAME | | CUST. P.O. | | | REMARKS: | | |
| MODEL | INSUL | AMB | H.P. | MTG | REV: F | LOADED TO ACAD | |
| R.P.M. | VOLTS | ENCL | PHASE | FREQ | SCALE: .4 | BY: OD | REVISED: 11/13/95 |
| FRAME | TYPE | CERTIFIED BY | | | FILE: AAA00021318 | TDR: 0075825 | |

BALDOR ELECTRIC Co.

STD HORZ NEMA 143-5T XPFC 35M CL I GP D W/T'STATS

35J363