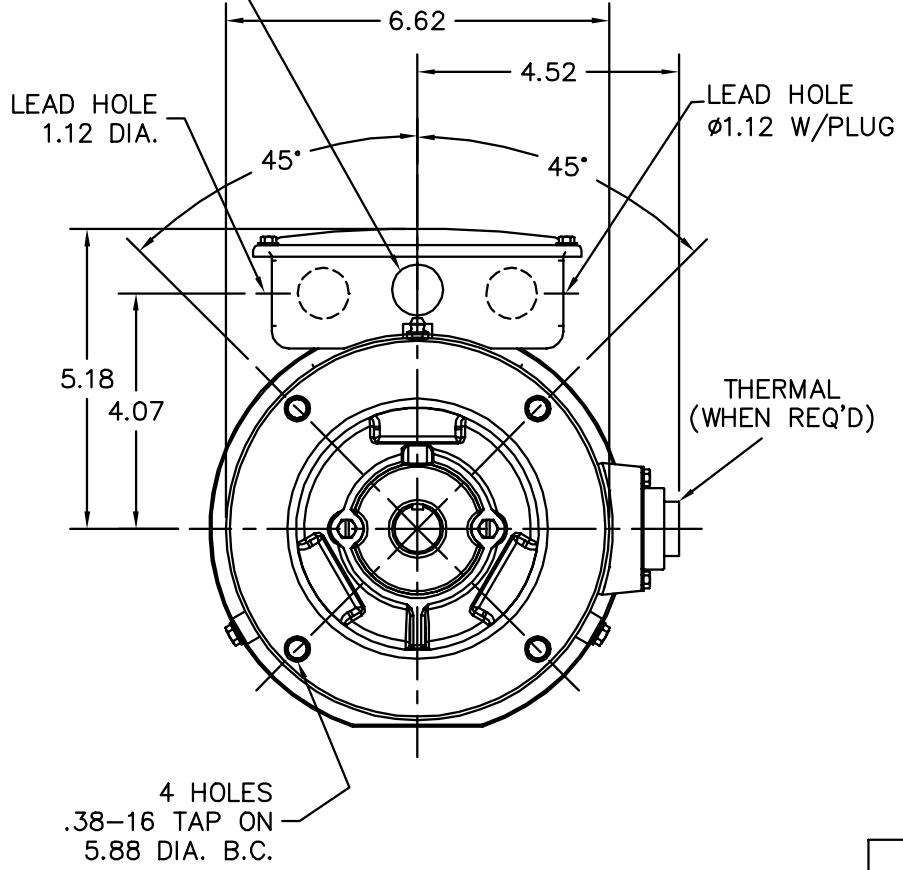
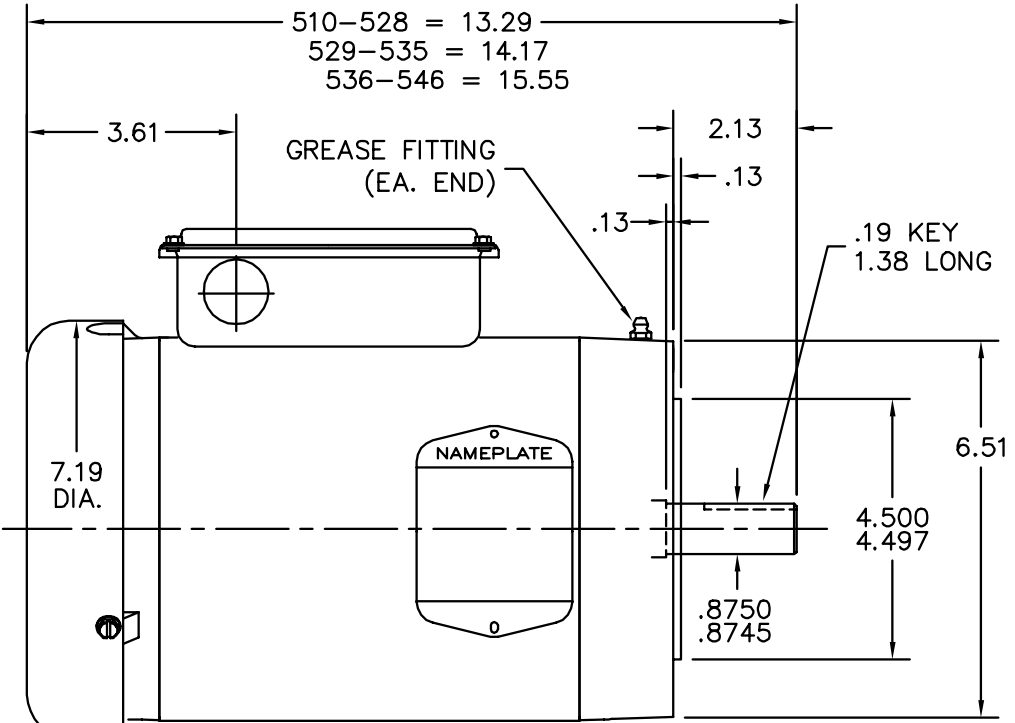


1 X ϕ .88 KNOCKOUT (PU. END)
2 X ϕ .88 KNOCKOUTS (FR. END)



CUSTOMER IS RESPONSIBLE FOR DETERMINING THAT BALDOR'S PRODUCT WILL PERFORM SUITABLY IN THE INTENDED APPLICATION.

REV. DESC: REPLACE ENDPLATES		
REV. LTR: B	VERSION: 02	TDR: 000001063670
FILE: \AAA\00150\453	REVISED: 02:16:54 03/14/2018	BY: FGCHAH1
MTL: -		

BALDOR

VERT 143-5TC TEFC M W/35CB4007

SH 1 of 1