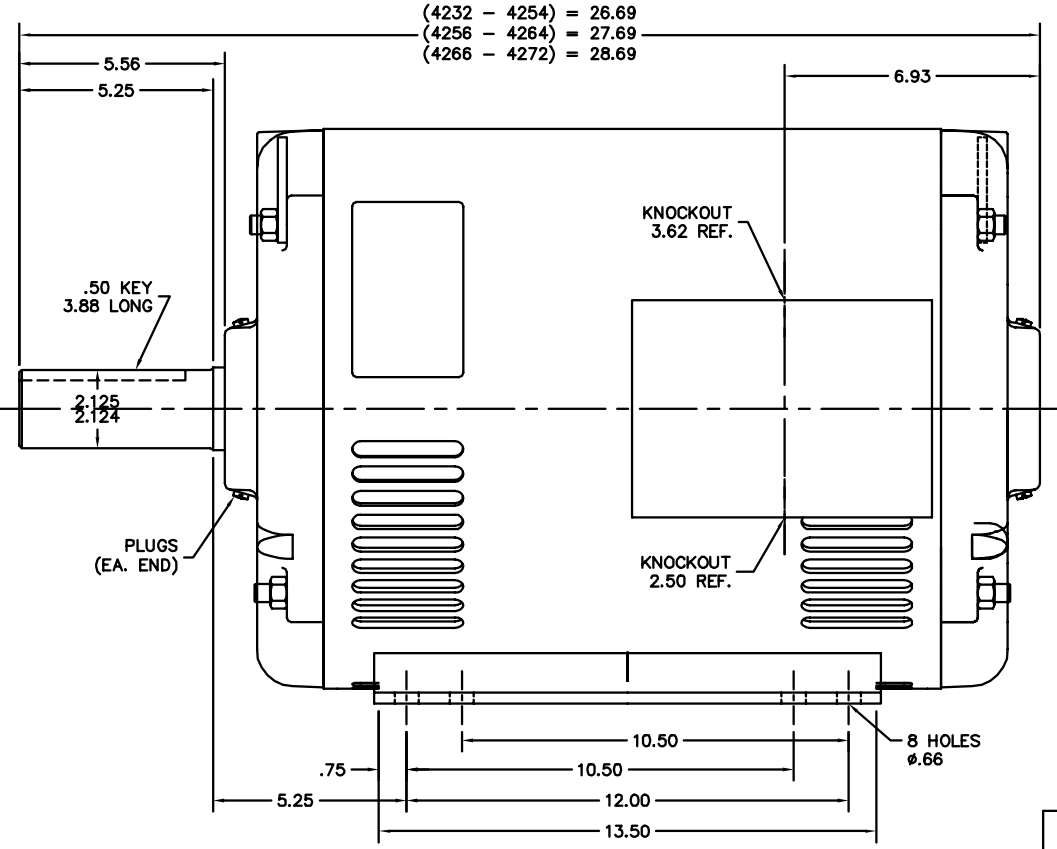
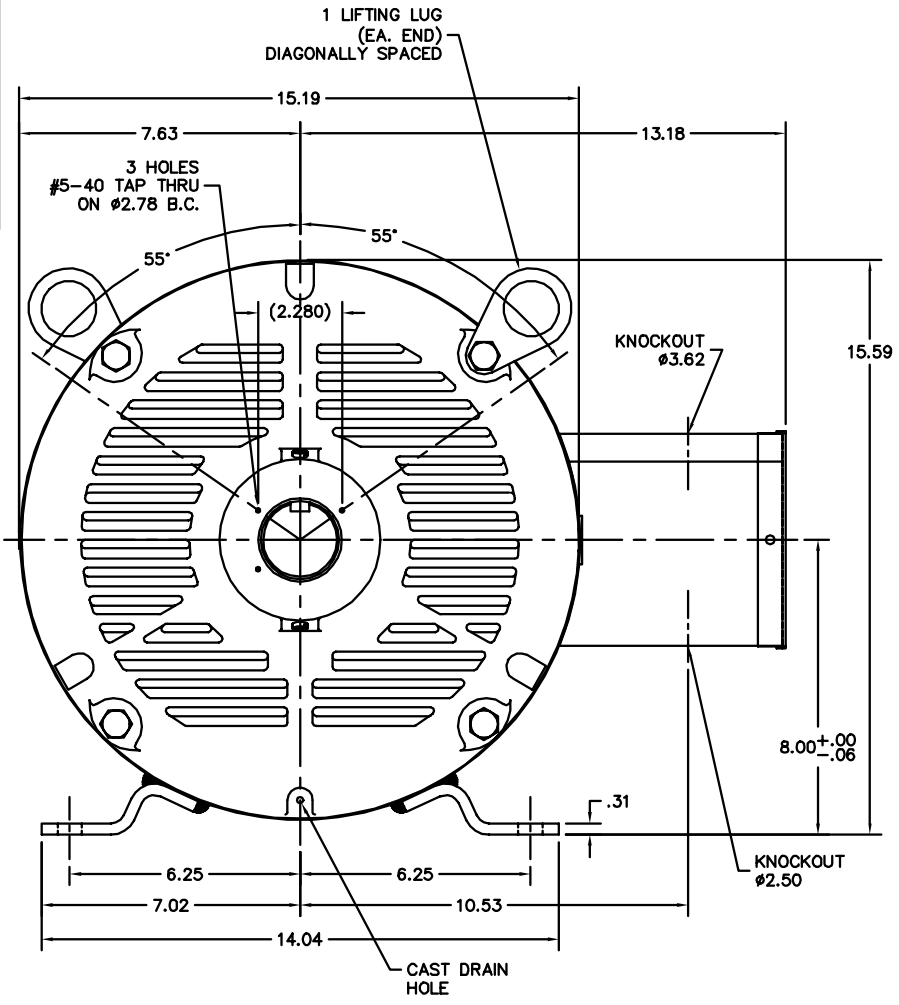


42LYE133



CUSTOMER IS RESPONSIBLE FOR DETERMINING THAT BALDOR'S PRODUCT WILL PERFORM SUITABLY IN THE INTENDED APPLICATION.

REV. DESC: ADD REFERENCE DIM FOR SHAFT GROUND TAP HOLE		
REV. LTR: C	VERSION: 03	TDR: 00001071642
FILE: \AAA\00137\616	REVISED: 08:53:33 05/31/2018	BY: USBRKN1
MTL: -		

BALDOR - RELIANCE®

HORZ OPSB 324-6T F2 HVAC MTR W/1/2 SH GND MTG
SH 1 of 1

42LYE133