

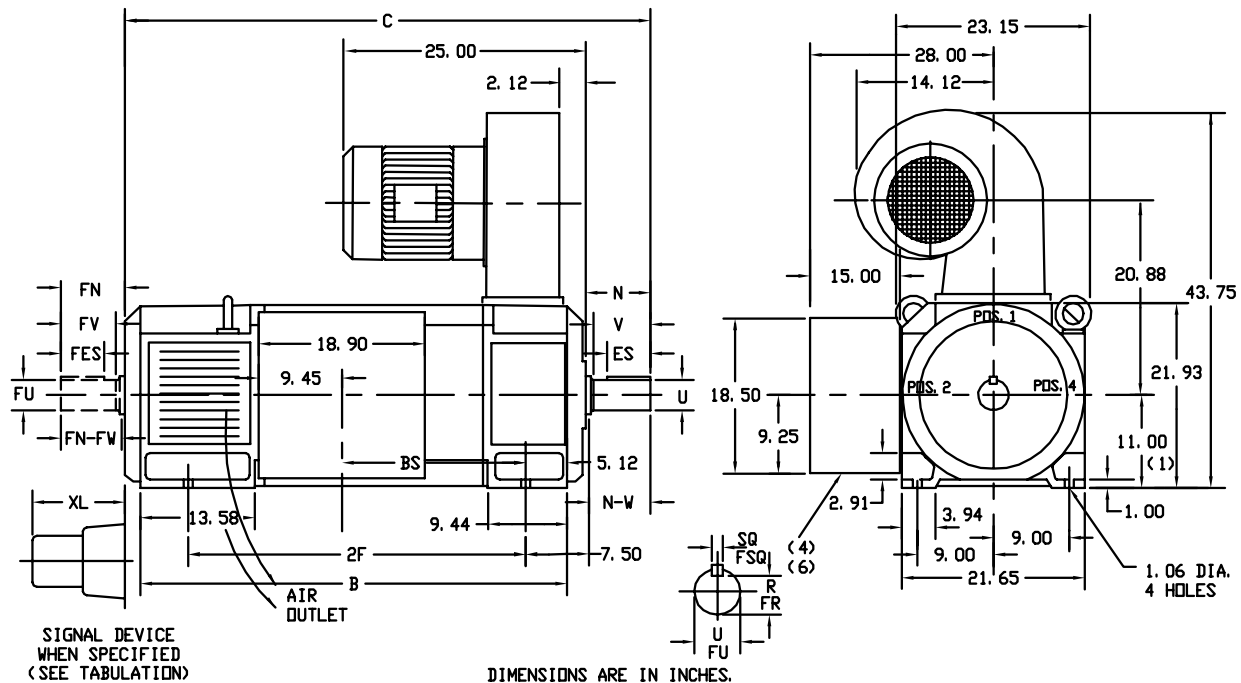
DIRECT CURRENT MOTORS AND GENERATORS INDUSTRIAL-RPM III

ENCLOSURE: DRIP PROOF FULLY GUARDED
SPLASHPROOF
MOUNTING: FOOT

COOLING: FORCE VENTILATED WITH
INTEGRAL BLOWER & MOTOR

ACCESSORIES: FLANGE MOUNTED
TACHOMETER

FRAME C4412ATZ - C4414ATZ



SIGNAL DEVICE	XL	WT. (LBS.)
5PY	10.88	7
BC-42	13.38	25
BC-46	15.68	35
M-627A	10.50	14
M-628A	10.50	14
M-727A	10.50	14
M-737A	10.50	14
RD-11	10.00	17
RD-51	16.68	38
RD-61	10.00	17
H56	10.00	17
RE-045	2.56	5
RE-210	15.31	17
TG2168A	2.56	5
TS2014N	6.50	5
TS2087N	11.00	17
RD-120	1.88	5
ST67/RL67	2.00	5
HS35	3.00	5
M285	3.12	20
RPY444	11.00	15
M3 DR M4	3.62	10
AV56	2.00	5

- (1) THIS DIMENSION WILL NOT BE EXCEEDED. SHIMS UP TO .06 INCH IN THICKNESS ARE USUALLY REQUIRED FOR COUPLED OR GEARED MACHINES.
- (2) 'U' AND 'FU' VARY +.000 -.001.
- (3) 'R' AND 'FR' VARY +.000 -.015.
- (4) REMOVEABLE COVER PLATE FOR CUSTOMER DRILLING. TERMINAL BOX CAN BE POSITIONED FOR EITHER TOP OR BOTTOM CONDUIT ENTRY.
- (5) OPPOSITE DRIVE END SHAFT SUPPLIED ONLY WHEN SPECIFIED.
- (6) TERMINAL BOX LOCATED ON OPPOSITE SIDE WHEN F-2, W-1, W-4, W-5, W-7 OR C-1 MOUNTING IS SPECIFIED.
- (7) AIR FILTER SUPPLIED ONLY WHEN SPECIFIED. BLOWER ASSEMBLY CAN BE LOCATED AT POSITIONS 1, 2 OR 4.

DIMENSIONS ARE IN INCHES.

FRAME	DUTY	C	BS	B	2F	DRIVE END SHAFT AND KEY						(5) OPPOSITE DRIVE END SHAFT AND KEY						WT. (LBS)		
						N	N-W	UK(2)	V	R(3)	SQ	ES	FN	FN-FW	FUK(2)	FV	FR(3)		FSQ	FES
C4412ATZ	COUPLED	58.32	19.81	46.56	36.00	7.62	7.25	3.625	7.00	3.134	.875	5.75	7.62	7.25	3.625	7.00	3.134	.875	5.75	3245
UC4412ATZ	BELTED	59.32	19.81	46.56	36.00	8.62	8.25	4.125	8.00	3.563	1.000	6.50	7.62	7.25	3.625	7.00	3.134	.875	5.75	3275
C4413ATZ	COUPLED	62.25	23.75	50.56	40.00	7.62	7.25	3.625	7.00	3.134	.875	5.75	7.62	7.25	3.625	7.00	3.134	.875	5.75	3660
UC4413ATZ	BELTED	63.25	23.75	50.56	40.00	8.62	8.25	4.125	8.00	3.563	1.000	6.50	7.62	7.25	3.625	7.00	3.134	.875	5.75	3690
C4414ATZ	COUPLED	68.56	30.05	56.56	45.00	7.62	7.25	3.625	7.00	3.134	.875	5.75	7.62	7.25	3.625	7.00	3.134	.875	5.75	4280
UC4414ATZ	BELTED	69.56	30.05	56.56	45.00	8.62	8.25	4.125	8.00	3.563	1.000	6.50	7.62	7.25	3.625	7.00	3.134	.875	5.75	4310

CUSTOMER IS RESPONSIBLE FOR DETERMINING THAT BALDOR'S PRODUCT WILL PERFORM SUITABLY IN THE INTENDED APPLICATION.

REV. DESC: ADD AV56 TO DS	VERSION: 02	TDR: 00000865577
REV. LTR: B	REVISED: 02:50:00 08/04/2014	BY: RGGWT
FILE: \RGG\00016\134		
MTL: -		

BALDOR

DIMENSION DRAWING, C4412ATZ - C4414ATZ, DPP, FOOT MTG, FRC VENT.

SH 1 of 1

616492-001

616492-001