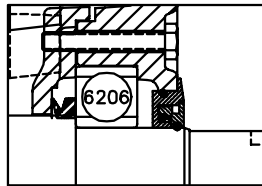
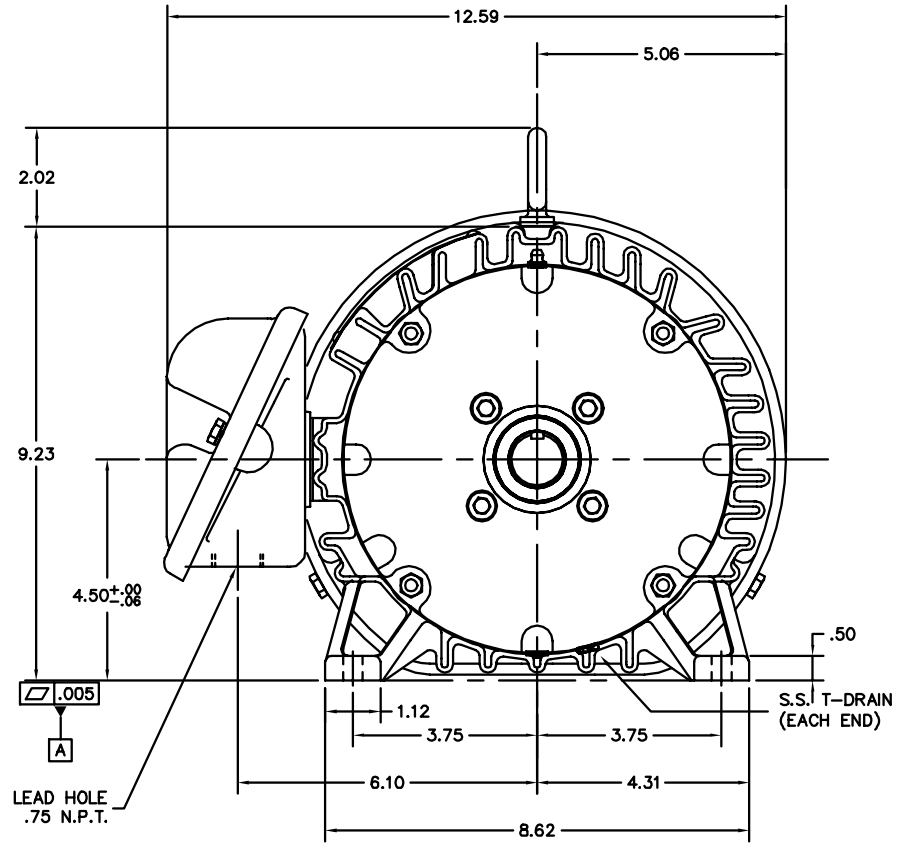


FRONT END DETAIL



PULLEY END DETAIL



CUSTOMER IS RESPONSIBLE FOR DETERMINING THAT BALDOR'S PRODUCT WILL PERFORM SUITABLY IN THE INTENDED APPLICATION.

REV. DESC: ADD DIMS FOR FOOT WIDTH & FOOT HEIGHT		
REV. LTR: F	VERSION: 06	TDR: 00001047936
FILE: \AAA\00118\093	REVISED: 01:13:48 10/23/2017	BY: ENALEMO
MTL: -		

BALDOR

STD HORZ 182-4T TEFC 06M (ECP) IEEEB41 (614-643)

SH 1 of 1